



**NEED
GLASS?**
Let Us Quote



Glass-tec

PRODUCT BROCHURE



Innovative Handrail Solutions



UK Distributor of
ONLEVEL
BALUSTRADES

GLASS		page 8
TRANS LEVEL 60		page 10
TRANS LEVEL 50		page 24
TRANS LEVEL 30		page 28
TRANS LEVEL 20		page 42
TRANS LEVEL 21		page 44
POSI-GLAZE		page 46
DEMO BOXES		page 52
HANDRAIL/FITTINGS		page 54
ACCESSORIES		page 62
INSTALLATION INSTRUCTIONS		page 64
CARE AND MAINTENANCE		page 76

Glass-tec

BY INSTALLERS, FOR INSTALLERS

The OnLevel specialists have years of experience assembling glass balustrades. We know the requirements a construction must meet and what the easiest assembly method is. Thanks to our daily practical experience, we know exactly which problems you can come across. This practical knowledge forms the basis for the continuous innovation of our products.



key

Flex-Fit	page 5	
Drainage	page 19	
Longer attachment distances	page 27	
Extension pin	page 31	
Mounting block	page 37	
Fix-Fit	page 45	
Top cover	page 45	

CLEAR VISION

There is a good reason that glass balustrades have become fashionable. They offer an aesthetic, low-maintenance, durable solution for homes, offices and public spaces. Fastec offers a wide choice of systems for every space, all of which are stylish, safe and easy to assemble.

THE CHOICE IS YOURS

You can now order the Glass-tec systems and assemble them yourself. This gives you even more options! Maybe you know exactly which profile best suits your project requirements. With our extensive range of profiles there is a solution for every installation.

OUR EXPERIENCE IS YOUR GAIN

OnLevel's many years of experience is reflected in its products. For example, our glass profiles have:

- Adjustable glass solution with 'Flex-Fit'.
- Top cover profiles to easily allow fascia integration.
- Water drainage openings.
- Extension pin to aid adjustment.
- A strong anodised 25 µm coating.
- Robust, protective foil and cardboard packaging.



Sales support by professionals.



Our products are available from stock.

a stylish solution for every space

For individual installations of glass balustrades you can choose between base profiles or glass connectors. The construction you attach the balustrade to plays an important role in the choice of system, and whether a side mount or a top mount profile is required.

The following pages show you our range of products. All the systems are modular, which means you can assemble your own selection of products to fulfil your project designs easily and conveniently.

Glass balustrades must meet the requirements of British Standards. The Glass-tec profiles have been independently tested to ensure the safety of your installation.

Please refer to the chart, so you can see at a glance which systems can be used in your construction project.



	Model		Test House	
Page 10	6010		LUCIDEON	Trans Level 60 Top Mount
Page 14	6030		LUCIDEON	Trans Level 60 Top Mount
Page 16	6011		LUCIDEON	Trans Level 60 Side Mount
Page 20	6031		LUCIDEON	Trans Level 60 Side Mount
Page 24	5010			Trans Level 50 Top Mount
Page 28	3010		LUCIDEON	Trans Level 30 Top Mount
Page 32	3030		LUCIDEON	Trans Level 30 Top Mount
Page 34	3011		LUCIDEON	Trans Level 30 Side Mount
Page 38	3031		LUCIDEON	Trans Level 30 Side Mount
Page 42	2060			Trans Level 20 Side Mount
Page 42	2080			Trans Level 20 Side Mount
Page 44	2160			Trans Level 21 Side Mount
Page 46	Posi-glaze		SANDBERG	Posi-glaze Top Mount
Page 48	Posi-glaze		SANDBERG	Posi-glaze Side Mount
Page 51	Origin grip		SANDBERG	Origin grip Top Mount
Page 51	Origin grip		SANDBERG	Origin grip Side Mount



INTERNALHOUSING 0.36KN

Relatively light constructions can be designed for applications in homes. The glass balustrade must be able to withstand 0.36 kN per linear metre.



EXTERNALHOUSING 0.74KN OFFICEFUNCTION 0.74KN

Glass balustrades used for external housing and offices require thicker glass and the profiles must obviously be adapted accordingly. The glass balustrade must be able to withstand 0.74 kN per linear metre.



PUBLICAREAS 1.5KN

The extensive use associated with public spaces requires the use of heavier materials. Glass thickness and heavy profiles guarantee safety, even for heavy loads. The glass balustrade must be able to withstand 1.5 kN per linear metre.



STADIUMFUNCTION 3.0KN

Stadium criteria requires the most robust solutions. Glass thickness and heavy profiles guarantee safety, even for heavy loads. The glass balustrade must be able to withstand 3.0 kN per linear metre.

	Achieved	Glass Thickness	Achieved	Glass Thickness	Achieved	Glass Thickness	Achieved	Glass Thickness
	✓		✓	15, 17.52, 19, 21.52	✗		✗	
	✓		✓		✓	25.52, 31.52	✗	
	✓		✓	15, 17.52, 19, 21.52	✗		✗	
	✓		✓		✓	25.52	✓	31.52
	No UK Data		No UK Data		No UK Data		No UK Data	
	✓	17.52	✓	15, 19, 21.52	✗		✗	
	✓		✓		✓	25.52	✓	31.52
	✓	17.52	✓	15, 19, 21.52	✗		✗	
	✓		✓		✓	25.52, 30.52	✗	
	No Data		No Data		No Data		No Data	
	No Data		No Data		No Data		No Data	
	No Data		No Data		No Data		No Data	
	✓		✓	15	✓	19, 21.52	✗	
	✓	15	✓	19, 21.52	✗		✗	
	✓		✓	15, 17.52, 21.52	✓	19, 25.52	✓	25
	✓	17.52	✓	15, 19, 21.52	✓	25	✗	

* Full test data can be provided on request.

Please refer to Table 2 of BS6180 for full details/clarification on imposed loads.



Introducing...

Flex-Fit



OnLevel Flex-Fit is the solution for perfect, fast and safe alignment of glass balustrades. With just a simple sliding movement you position the glass with a precision of up to 40 mm and reduce the assembly time by some 30%. Optionally, Flex-Fit can be used with all existing Trans Level profiles.

Adjust the way you work

ADJUSTABLE FROM BALCONY SIDE

In addition to reducing the assembly time by 30%, the unique Flex-Fit system has more benefits to offer. Unlike traditional systems where you have to work from both the balcony side and the void side, the Flex-Fit can be fully operated from the balcony side. This way you avoid the cost of renting a scaffold or even a scissor lift and – very important – you can work much safer!



EASY-TO-USE ONLEVEL FLEX-FIT TOOL

To enable fast and perfect alignment of glass panels OnLevel has developed the handy Flex-Fit Tool. With just a simple movement of your hand, this tool helps you position a glass panel down to a precision of one millimetre. To see how this is done, please visit www.fastechandrills.co.uk.



SIMPLE AND AFFORDABLE

The design of the OnLevel Flex-Fit system is based on two key principles: simplicity and affordability. These primary design requirements have been ingeniously combined into the Flex-Fit, resulting in a unique solution at a transparent price.



AVAILABLE FOR ALL TRANS LEVEL SYSTEMS

One more benefit: the Flex-Fit glass fitting system can be applied – as an option – to all OnLevel glass profiles. At a small extra charge you will enjoy all the benefits that the Flex-Fit system has to offer, including the alignment accuracy, the adjustability from the balcony side and the ease of use of the Flex-Fit Tool.



FOR GLASS THICKNESSES FROM 12 UP TO 31.52 MM

The Flex-Fit glass fitting system can be used for a wide range of glass thicknesses – from 12 mm to as thick as 31.52 mm. This makes working with the OnLevel Flex-Fit system not only very pleasant but also, and especially, very cost-efficient.





Situation 1

The slide is in neutral position and so is the glass.



Situation 2

You want to tilt the glass towards the balcony side. To do so you move the slide to the right.



Situation 3

You want to tilt the glass towards the void side. To do so you move the slide to the left.





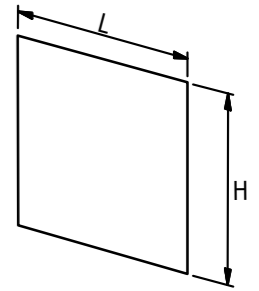
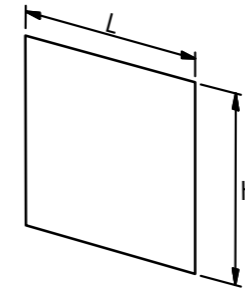
Glass-tec

Glass I

- Slender, attractive design and low maintenance
- Clean line appearance
- Tinted glass available
- Sandblasted, etched and screen printing available



GLASS | TOUGHENED/LAMINATED



► Toughened glass

Toughened						
Glass	Colour	mm	L	H	☐	£/PC
12	●	12	TBC	TBC	1	POA
15	●	15	TBC	TBC	1	POA
19	●	19	TBC	TBC	1	POA
25	●	25	TBC	TBC	1	POA

► Laminated glass

Laminated						
Glass	Colour		L	H	☐	£/PC
12.76	●	6/6/2	TBC	TBC	1	POA
13.52	●	6/6/4	TBC	TBC	1	POA
16.76	●	8/8/2	TBC	TBC	1	POA
17.52	●	8/8/4	TBC	TBC	1	POA
20.76	●	10/10/2	TBC	TBC	1	POA
21.52	●	10/10/4	TBC	TBC	1	POA
25.52	●	12/12/4	TBC	TBC	1	POA
31.52	●	15/15/4	TBC	TBC	1	POA



Toughened or Laminated

ALL SHAPES. ALL SIZES
 MADE TO YOUR REQUIREMENTS
 AT COMPETITIVE PRICES

ONE STOP SHOP



Glass-tec

TRANS LEVEL 60 | 0.74kN TOP MOUNT

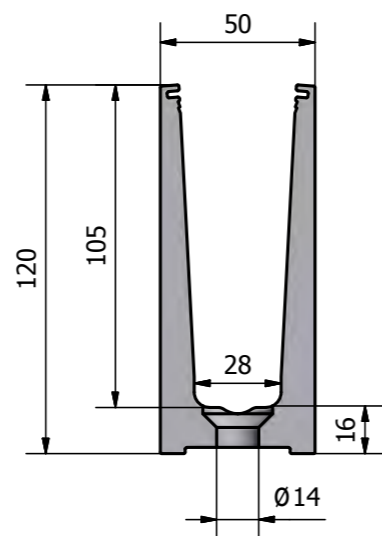
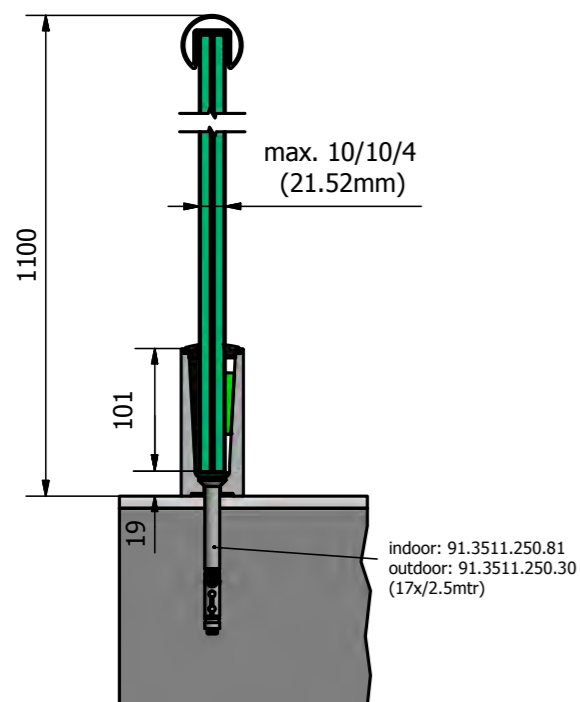
- Slender, attractive design and low maintenance
- OnLevel Fix-Fit glass assembly system
- Water drainage openings
- Top cover (optional)

APPROVED according to **BS6180**

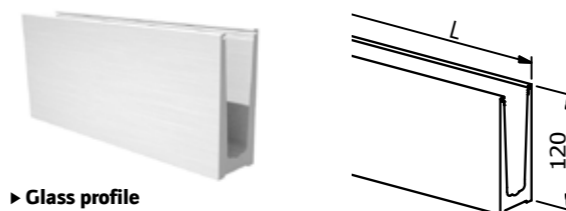
LUCIDEON
thought (re)shaping knowledge



EN1090-1

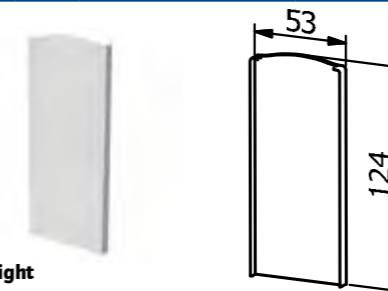


TRANS LEVEL 60 | 0.74kN TOP MOUNT



► Glass profile

Model: 6010	Aluminium	Outdoor		
Code	L		⊞	£/PC
10.6010.002.11	2500		1	231.30
10.6010.005.11	5000		1	462.60



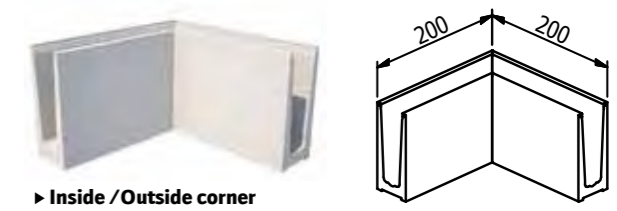
► End cap left/right

Model: 6010	Aluminium	Outdoor		
Code			⊞	£/PC
10.6010.490.11			1	28.45



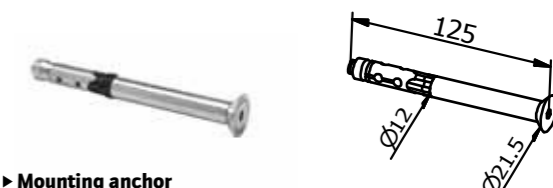
► Flex-Fit

Model: 0502/0505	Rubber	Outdoor			
Code	Colour	Thickness	L	⊞	£/PC
90.0502.112.00	●	12	2500	1	56.05
90.0505.112.00	●	12	5000	1	112.05
90.0502.113.00	●	12.76	2500	1	56.05
90.0505.113.00	●	12.76	5000	1	112.05
90.0502.114.00	●	13.52	2500	1	56.05
90.0505.114.00	●	13.52	5000	1	112.05
90.0505.115.00	●	15	2500	1	56.05
90.0505.115.00	●	15	5000	1	112.05
90.0502.117.00	●	16.76	2500	1	56.05
90.0505.117.00	●	16.76	5000	1	112.05
90.0502.118.00	●	17.52	2500	1	56.05
90.0505.118.00	●	17.52	5000	1	112.05
90.0505.119.00	●	19	2500	1	56.05
90.0505.119.00	●	19	5000	1	112.05
90.0502.121.00	●	20.76	2500	1	56.05
90.0505.121.00	●	20.76	5000	1	112.05
90.0502.122.00	●	21.52	2500	1	56.05
90.0505.122.00	●	21.52	5000	1	112.05



► Inside / Outside corner

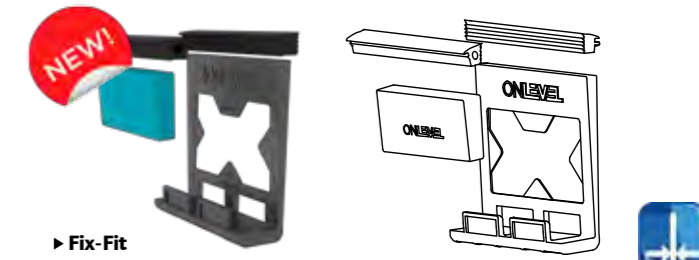
Model: 6010	Aluminium	Outdoor		
Code			⊞	£/PC
10.6010.390.11			1	115.65



► Mounting anchor

Model: 3511	Zinc-plated	Indoor		
Code	Quantity per 2500mm		⊞	£/PC
91.3511.250.81	17		25	124.90

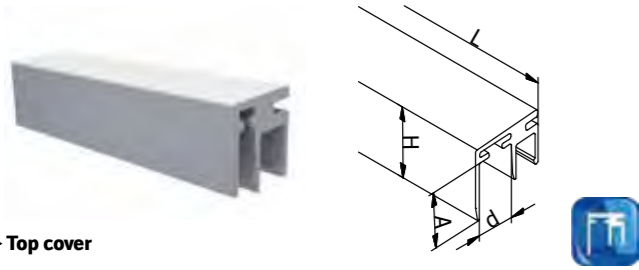
Model: 3511	AISI 316	Outdoor		
Code	Quantity per 2500mm		⊞	£/PC
91.3511.250.30	17		25	568.80



► Fix-Fit

Model: 0402/0405	Rubber	Outdoor			
Code	Colour	Thickness	L	⊞	£/PC
90.0402.112.00	●	12	2500	1	42.70
90.0405.112.00	●	12	5000	1	85.40
90.0402.113.00	●	12.76	2500	1	42.70
90.0405.113.00	●	12.76	5000	1	85.40
90.0402.114.00	●	13.52	2500	1	42.70
90.0405.114.00	●	13.52	5000	1	85.40
90.0402.115.00	●	15	2500	1	42.70
90.0405.115.00	●	15	5000	1	85.40
90.0402.117.00	●	16.76	2500	1	42.70
90.0405.117.00	●	16.76	5000	1	85.40
90.0402.118.00	●	17.52	2500	1	42.70
90.0405.118.00	●	17.52	5000	1	85.40
90.0402.119.00	●	19	2500	1	42.70
90.0405.119.00	●	19	5000	1	85.40
90.0402.121.00	●	20.76	2500	1	42.70
90.0405.121.00	●	20.76	5000	1	85.40
90.0402.122.00	●	21.52	2500	1	42.70
90.0405.122.00	●	21.52	5000	1	85.40

TRANS LEVEL 60 | 0.74KN TOP MOUNT



► **Top cover**

Model: 8010		Aluminium			Outdoor	
Code	d	L	H	A	☐	£/PC
90.8010.032.11	3	2500	14	10	1	15.80
90.8010.035.11	3	5000	14	10	1	31.60
90.8010.102.11	10	2500	20	16	1	22.35
90.8010.105.11	10	5000	20	16	1	44.70
90.8010.202.11	20	2500	20	16	1	27.40
90.8010.205.11	20	5000	20	16	1	54.80
90.8011.202.11	120	2500	20	16	1	61.00
90.8011.205.11	120	5000	20	16	1	121.95



► **Top cover floor connection**

Model: 8110		Aluminium		Outdoor	
Code	L	☐	£/PC		
90.8110.202.11	2500	1	26.40		
90.8110.205.11	5000	1	52.80		



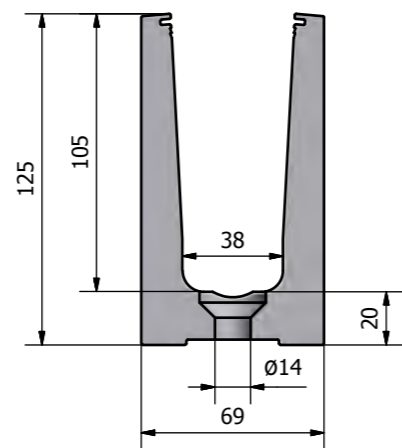
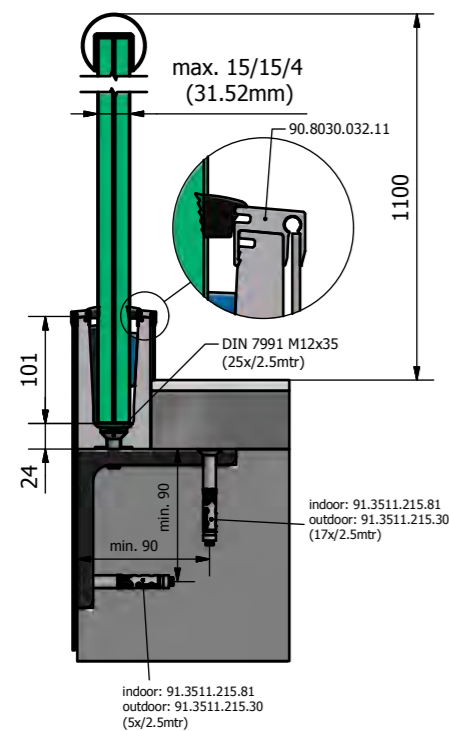


Glass-tec

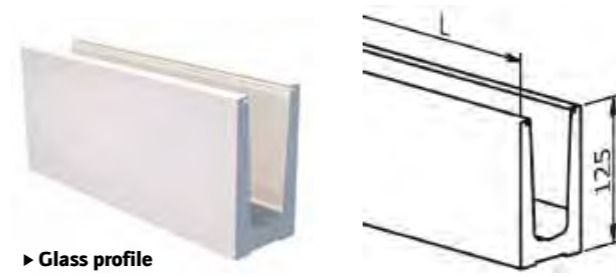
TRANS LEVEL 60 | 1.5kN TOP MOUNT

- Slender, attractive design and low maintenance
- OnLevel Fix-Fit glass assembly system
- Water drainage openings
- Top cover (optional)

APPROVED according to **BS6180** LUCIDEON

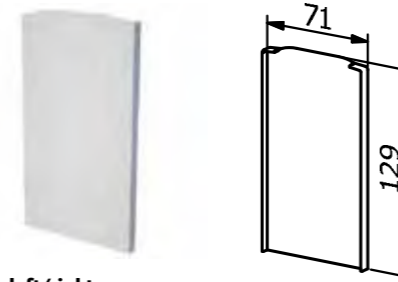


TRANS LEVEL 60 | 1.5KN TOP MOUNT



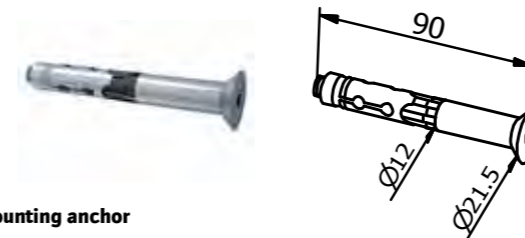
► Glass profile

Model: 6030	Aluminium	Outdoor		
Code	L	☐	E/PC	
10.6030.002.11	2500	1	429.80	



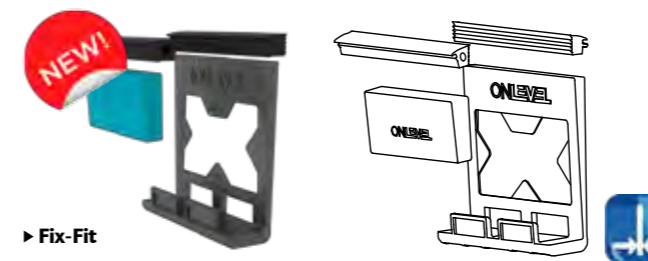
► End cap left/right

Model: 6030	Aluminium	Outdoor		
Code		☐	E/PC	
10.6030.490.11		1	37.15	



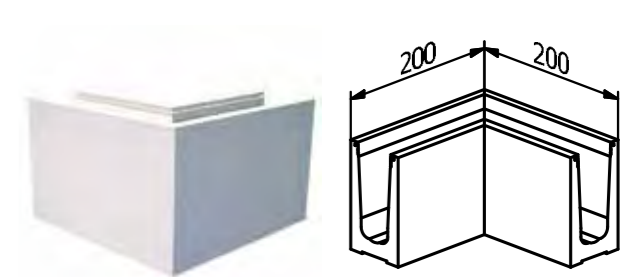
► Mounting anchor

Model: 3511	Zinc-plated	Indoor		
Code	Quantity per 2500mm	☐	E/PC	
91.3511.215.81	22	25	118.45	
Model: 3511	AISI 316	Outdoor		
Code	Quantity per 2500mm	☐	E/PC	
91.3511.215.30	22	25	382.05	



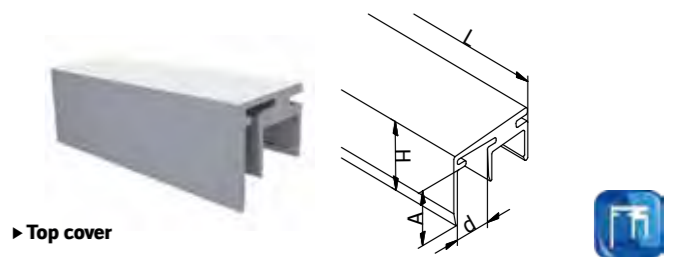
► Fix-Fit

Model: 0402/0405	Rubber	Outdoor		
Code	Colour	Thickness	L	☐ E/PC
90.0402.322.00	●	21.52	2500	1 48.05
90.0405.322.00	●	21.52	5000	1 96.05
90.0402.326.00	●	25.52	2500	1 48.05
90.0405.326.00	●	25.52	5000	1 96.05
90.0402.332.00	●	31.52	2500	1 48.05
90.0405.332.00	●	31.52	5000	1 96.05



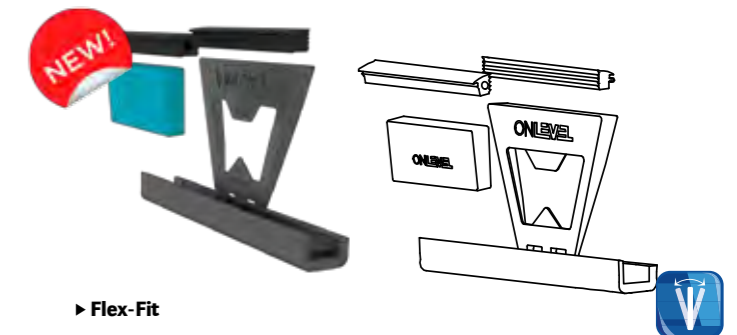
► Inside / Outside corner

Model: 6030	Aluminium	Outdoor		
Code	kN	☐	E/PC	
10.6030.390.11	3.0	1	163.65	



► Top cover

Model: 8030	Aluminium	Outdoor			
Code	d	L	H	A	☐ E/PC
90.8030.032.11	3	2500	14	10	1 21.60
90.8030.035.11	3	5000	14	10	1 43.20
90.8030.102.11	10	2500	20	16	1 26.60
90.8030.105.11	10	5000	20	16	1 53.20
90.8030.202.11	20	2500	20	16	1 33.80
90.8030.205.11	20	5000	20	16	1 67.50



► Flex-Fit

Model: 0502/0505	Rubber	Outdoor		
Code	Colour	Thickness	L	☐ E/PC
90.0502.322.00	●	21.52	2500	1 64.05
90.0505.322.00	●	21.52	5000	1 128.05
90.0502.326.00	●	25.52	2500	1 64.05
90.0505.326.00	●	25.52	5000	1 128.05
90.0502.332.00	●	31.52	2500	1 64.05
90.0505.332.00	●	31.52	5000	1 128.05



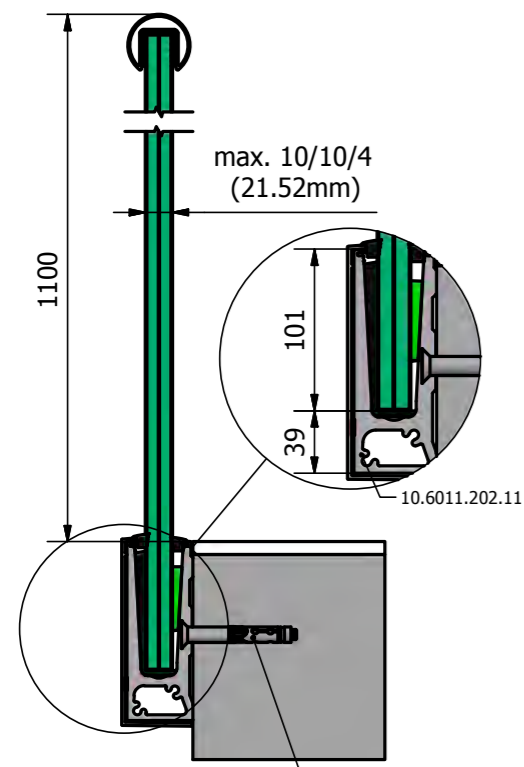
Glass-tec

TRANS LEVEL 60 | 0.74kN SIDE MOUNT

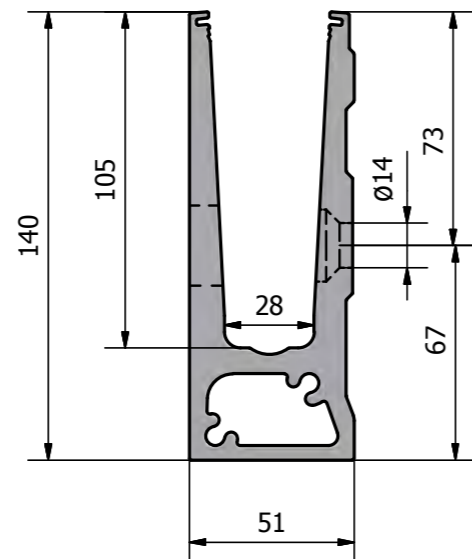
- Slender, attractive design and low maintenance
- OnLevel Fix-Fit glass assembly system
- Extension pin ducts
- Water drainage openings
- Top cover (optional)
- Full guard (optional)
- Integrated torsion box

APPROVED
according to **BS6180**

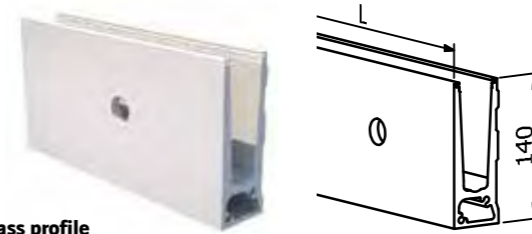
LUCIDEON
thought (engineering) hardware



indoor: 91.3511.215.81
outdoor: 91.3511.215.30
(10x/2.5mtr)

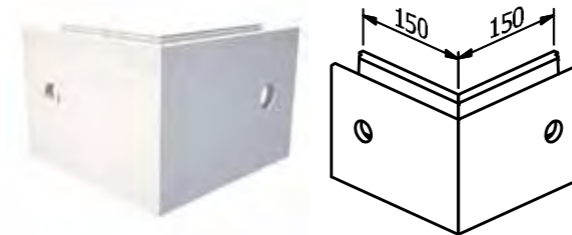


TRANS LEVEL 60 | 0.74kN SIDE MOUNT



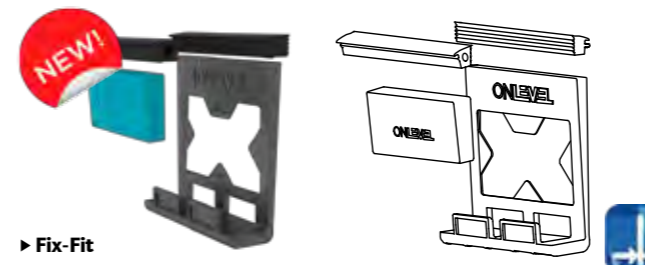
► Glass profile

Model: 6011	Aluminium	Outdoor		
Code	L	☐	E/PC	
10.6011.002.11	2500	1	272.65	
10.6011.005.11	5000	1	545.30	



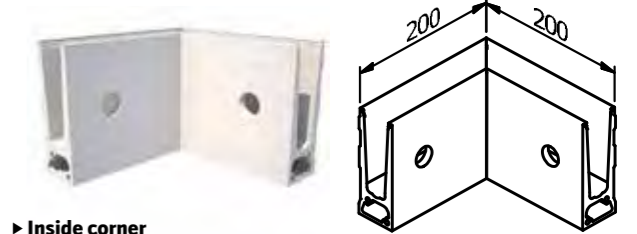
► Outside corner

Model: 6011	Aluminium	Outdoor		
Code		☐	E/PC	
10.6011.350.11		1	115.65	



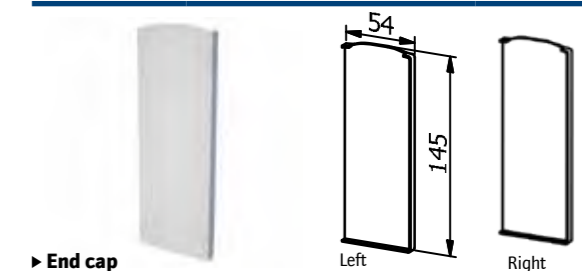
► Fix-Fit

Model: 0402/0405	Rubber	Outdoor			
Code	Colour	Thickness	L	☐	E/PC
90.0402.112.00	●	12	2500	1	42.70
90.0405.112.00	●	12	5000	1	85.40
90.0402.113.00	●	12.76	2500	1	42.70
90.0405.113.00	●	12.76	5000	1	85.40
90.0402.114.00	●	13.52	2500	1	42.70
90.0405.114.00	●	13.52	5000	1	85.40
90.0402.115.00	●	15	2500	1	42.70
90.0405.115.00	●	15	5000	1	85.40
90.0402.117.00	●	16.76	2500	1	42.70
90.0405.117.00	●	16.76	5000	1	85.40
90.0402.118.00	●	17.52	2500	1	42.70
90.0405.118.00	●	17.52	5000	1	85.40
90.0402.119.00	●	19	2500	1	42.70
90.0405.119.00	●	19	5000	1	85.40
90.0402.121.00	●	20.76	2500	1	42.70
90.0405.121.00	●	20.76	5000	1	85.40
90.0402.122.00	●	21.52	2500	1	42.70
90.0405.122.00	●	21.52	5000	1	85.40



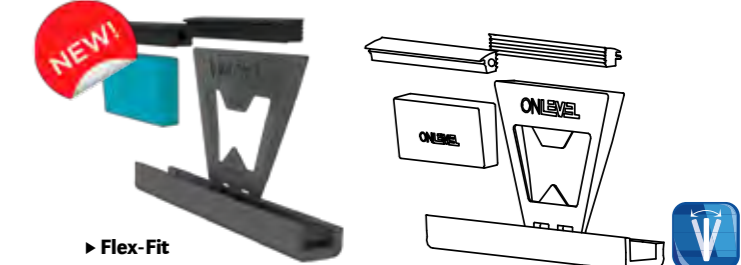
► Inside corner

Model: 6011	Aluminium	Outdoor		
Code		☐	E/PC	
10.6011.300.11		1	115.65	



► End cap

Model: 1011	Aluminium	Outdoor		
Code	Side	☐	E/PC	
10.6011.400.11	Left	1	28.45	
10.6011.450.11	Right	1	28.45	

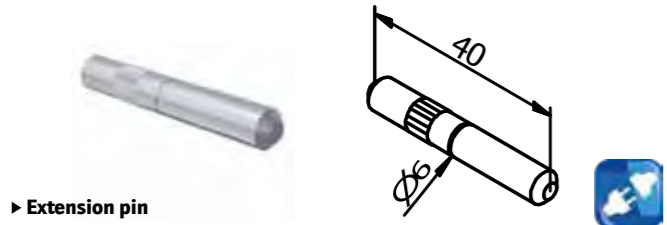


► Flex-Fit

Model: 0502/0505	Rubber	Outdoor			
Code	Colour	Thickness	L	☐	E/PC
90.0502.112.00	●	12	2500	1	56.05
90.0505.112.00	●	12	5000	1	112.05
90.0502.113.00	●	12.76	2500	1	56.05
90.0505.113.00	●	12.76	5000	1	112.05
90.0502.114.00	●	13.52	2500	1	56.05
90.0505.114.00	●	13.52	5000	1	112.05
90.0502.115.00	●	15	2500	1	56.05
90.0505.115.00	●	15	5000	1	112.05
90.0502.117.00	●	16.76	2500	1	56.05
90.0505.117.00	●	16.76	5000	1	112.05
90.0502.118.00	●	17.52	2500	1	56.05
90.0505.118.00	●	17.52	5000	1	112.05
90.0502.119.00	●	19	2500	1	56.05
90.0505.119.00	●	19	5000	1	112.05
90.0502.121.00	●	20.76	2500	1	56.05
90.0505.121.00	●	20.76	5000	1	112.05
90.0502.122.00	●	21.52	2500	1	56.05
90.0505.122.00	●	21.52	5000	1	112.05



TRANS LEVEL 60 | 0.74KN SIDE MOUNT



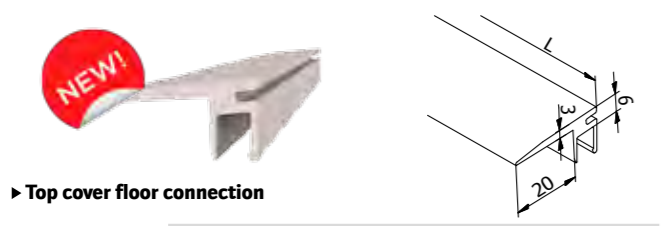
► **Extension pin**

Model: 7001	AISI 316	Outdoor	
Code			€/PC
90.7001.640.31		8	10.85



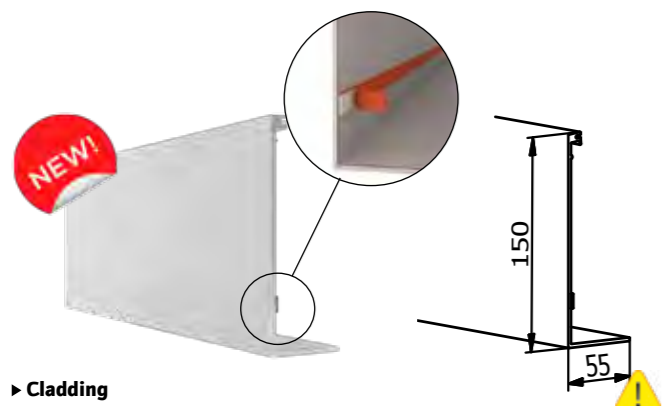
► **Cap**

Model: 1192	Plastic	Outdoor	
Code	Colour		€/PC
90.7000.025.45	Gray	10	14.35



► **Top cover floor connection**

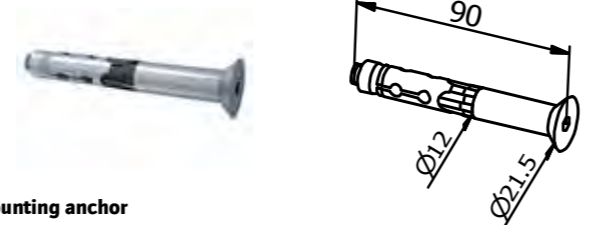
Model: 8110	Aluminium	Outdoor	
Code	L		€/PC
90.8110.202.11	2500	1	33.40
90.8110.205.11	5000	1	52.80



► **Cladding**

Model: 6011	Aluminium	Outdoor	
Code	L		€/PC
10.6011.202.11	2500	1	93.60
10.6011.205.11	5000	1	187.20

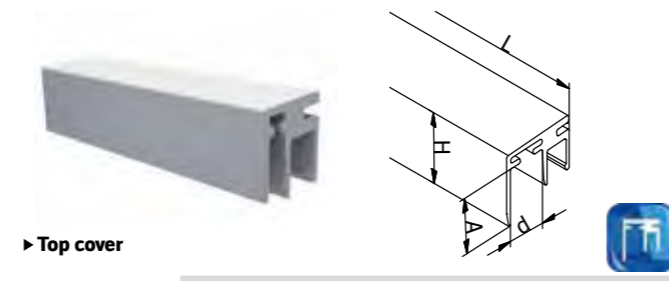
⚠ Please note: If you wish to use a snapframe you will need to order a different set of End caps.



► **Mounting anchor**

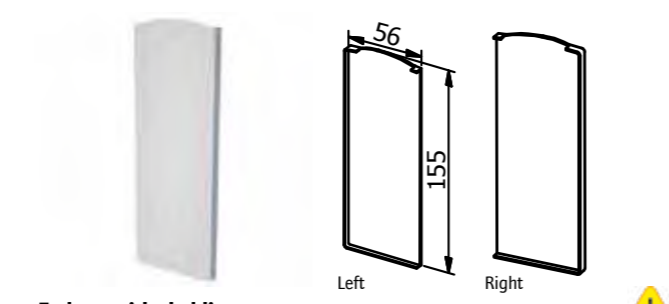
Model: 3511	Zinc-plated	Indoor	
Code	Quantity per 2500mm		€/PC
91.3511.215.81	10	25	118.45

Model: 3511	AISI 316	Outdoor	
Code	Quantity per 2500mm		€/PC
91.3511.215.30	10	25	382.05



► **Top cover**

Model: 8010	Aluminium	Outdoor				
Code	d	L	H	A		€/PC
90.8010.032.11	3	2500	14	10	1	15.80
90.8010.035.11	3	5000	14	10	1	31.60
90.8010.102.11	10	2500	20	16	1	22.35
90.8010.105.11	10	5000	20	16	1	44.70
90.8010.202.11	20	2500	20	16	1	27.40
90.8010.205.11	20	5000	20	16	1	54.80
90.8011.202.11	120	2500	20	16	1	61.00
90.8011.205.11	120	5000	20	16	1	121.95



► **End cap with cladding**

Model: 1011	Aluminium	Outdoor	
Code	Side		€/PC
10.6011.410.11	Left	1	28.45
10.6011.460.11	Right	1	28.45



Drainage

The combination of water and cold can cause problems with the use of glass balustrades. To guarantee trouble-free use under such conditions, all OnLevel glass profiles have a water drainage hole every metre.





Glass-tec

TRANS LEVEL 60 | 3.0kN SIDE MOUNT

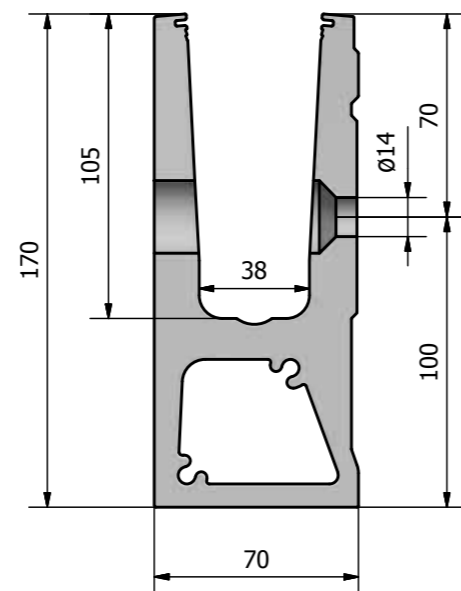
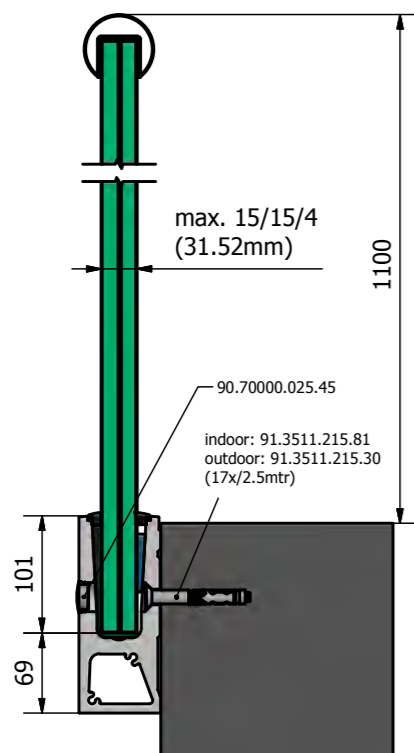
- Slender, attractive design and low maintenance
- OnLevel Fix-Fit glass assembly system
- Extension pin ducts
- Water drainage openings
- Top cover (optional)
- Integrated torsion box

APPROVED according to BS6180

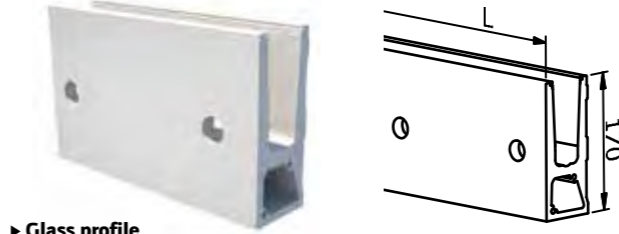
LUCIDEON



EN1090-1

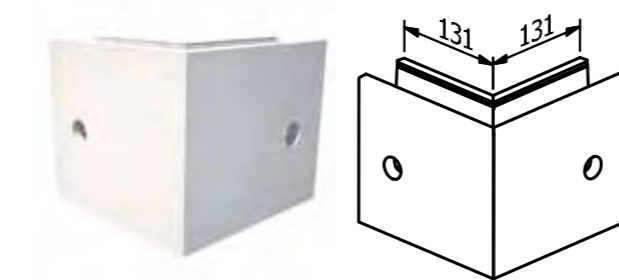


TRANS LEVEL 60 | 3.0kN SIDE MOUNT



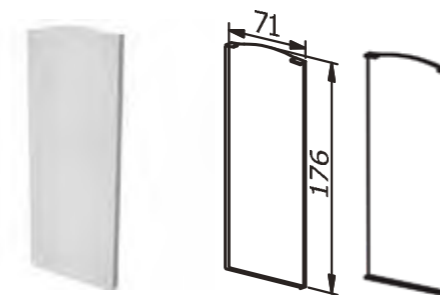
► Glass profile

Model: 6031	Aluminium	Outdoor	
Code	L	☐	£/PC
10.6031.002.11	2500	1	504.15



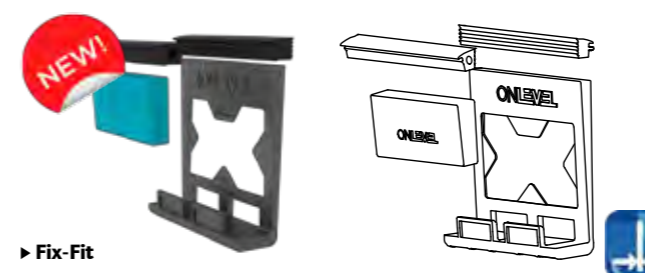
► Outside corner

Model: 6031	Aluminium	Outdoor	
Code		☐	£/PC
10.6031.350.11		1	163.65



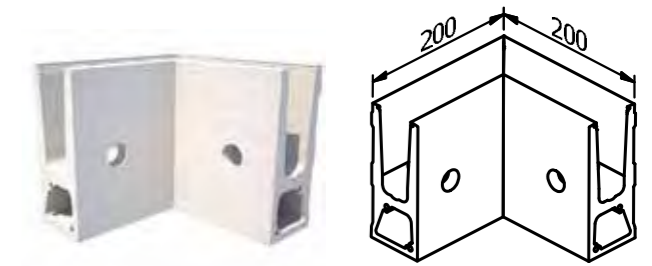
► End cap

Model: 1011	Aluminium	Outdoor	
Code	Side	☐	£/PC
10.6031.400.11	Left	1	37.15
10.6031.450.11	Right	1	37.15



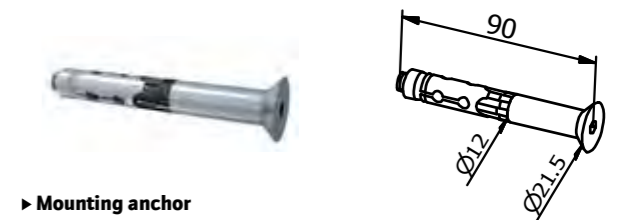
► Fix-Fit

Model: 0402/0405	Rubber	Outdoor	
Code	Colour	Thickness	L
90.0402.322.00	●	21.52	2500
90.0405.322.00	●	21.52	5000
90.0402.326.00	●	25.52	2500
90.0405.326.00	●	25.52	5000
90.0402.332.00	●	31.52	2500
90.0405.332.00	●	31.52	5000



► Inside corner

Model: 6031	Aluminium	Outdoor	
Code		☐	£/PC
10.6031.300.11		1	163.65



► Mounting anchor

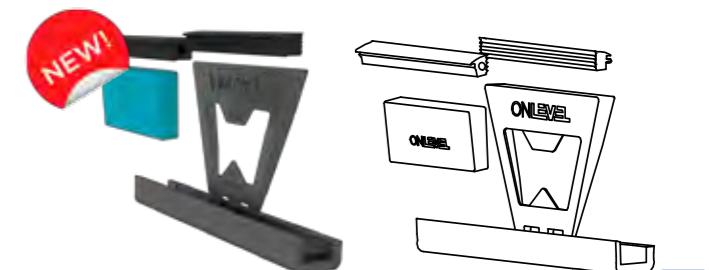
Model: 3511	Zinc-plated	Indoor	
Code	Quantity per 2500mm	☐	£/PC
91.3511.215.81	17	25	118.45

Model: 3511	AISI 316	Outdoor	
Code	Quantity per 2500mm	☐	£/PC
91.3511.215.30	17	25	382.05



► Cap

Model: 7000	Plastic	Outdoor	
Code	Colour	☐	£/PC
90.7000.025.45	Gray	10	14.35



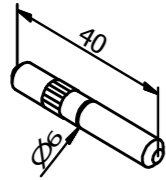
► Flex-Fit

Model: 0502/0505	Rubber	Outdoor	
Code	Colour	Thickness	L
90.0502.322.00	●	21.52	2500
90.0505.322.00	●	21.52	5000
90.0502.326.00	●	25.52	2500
90.0505.326.00	●	25.52	5000
90.0502.332.00	●	31.52	2500
90.0505.332.00	●	31.52	5000



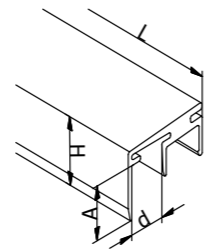
TRANS LEVEL 60 | 3.0KN SIDE MOUNT

► Extension pin



Model: 7001	AISI 316	Outdoor	
Code			€/PC
90.7001.640.31		8	10.85

► Top cover



Model: 8030	Aluminium	Outdoor					
Code	d	L	H	A		€/PC	
90.8030.032.11	3	2500	14	10	1	21.60	
90.8030.035.11	3	5000	14	10	1	43.20	
90.8030.102.11	10	2500	20	16	1	26.60	
90.8030.105.11	10	5000	20	16	1	53.20	
90.8030.202.11	20	2500	20	16	1	33.80	
90.8030.205.11	20	5000	20	16	1	67.50	

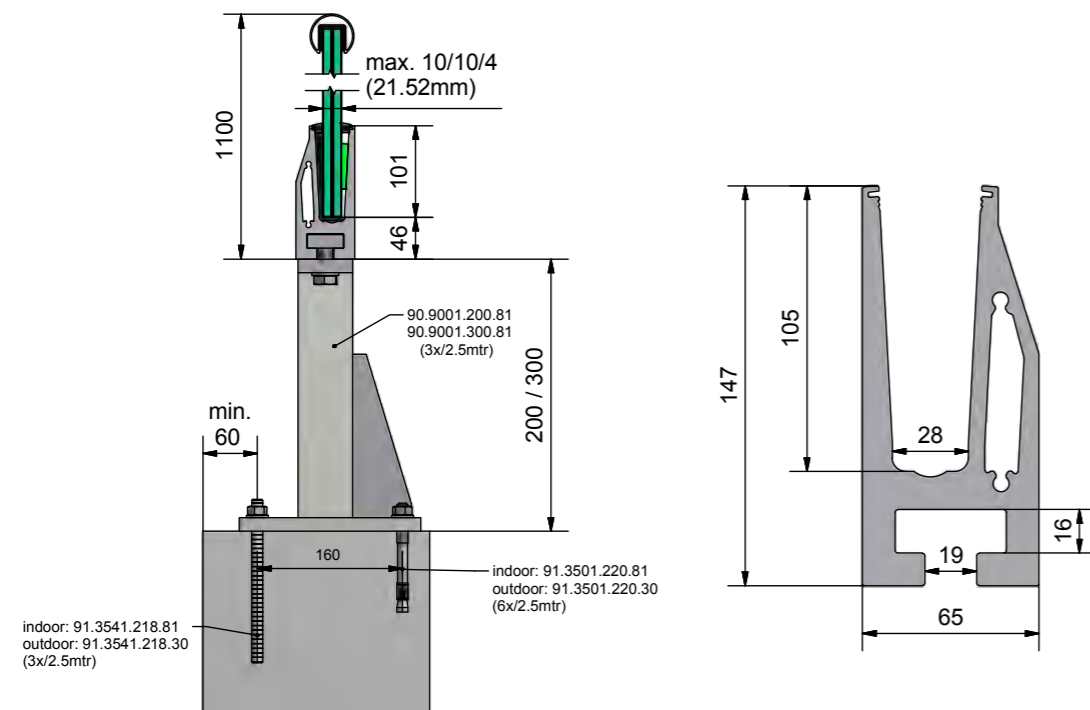




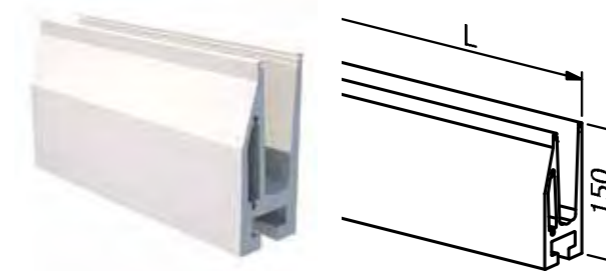
Glass-tec

TRANS LEVEL 50 | TOP MOUNT

- Slender, attractive design and low maintenance
- OnLevel Fix-Fit glass assembly system
- Extension pin ducts
- Water drainage openings
- Suitable for roof assembly
- Integrated torsion box

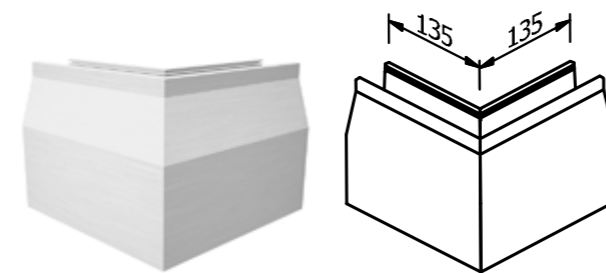


TRANS LEVEL 50 | TOP MOUNT



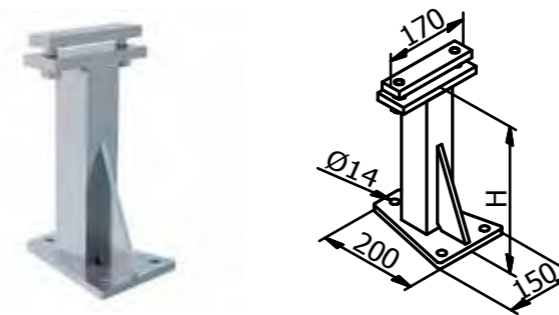
► Glass profile

Model: 5010	Aluminium	Outdoor	
Code	L	☐	E/PC
10.5010.002.11	2500	1	389.55
10.5010.005.11	5000	1	779.10



► Outside corner

Model: 5010	Aluminium	Outdoor	
Code		☐	E/PC
10.5010.350.11		1	125.90



► Post

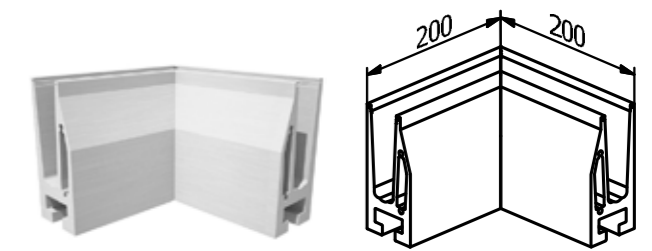
Model: 9001	Zinc-plated	Outdoor	
Code	H	☐	E/PC
90.9001.200.81	200	1	130.05
90.9001.300.81	300	1	131.95



► Mounting anchor

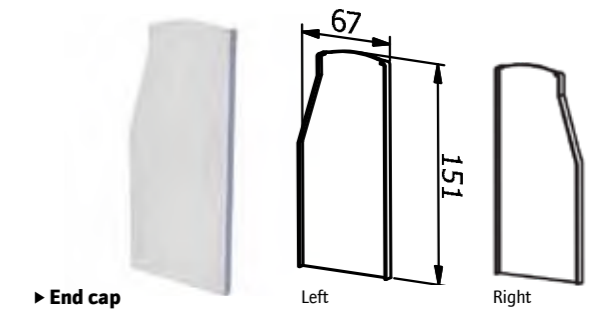
Model: 3541	Zinc-plated	Indoor	
Code		☐	E/PC
91.3541.218.81		20	21.75

Model: 3541	AISI 316	Outdoor	
Code		☐	E/PC
91.3541.218.30		20	80.80



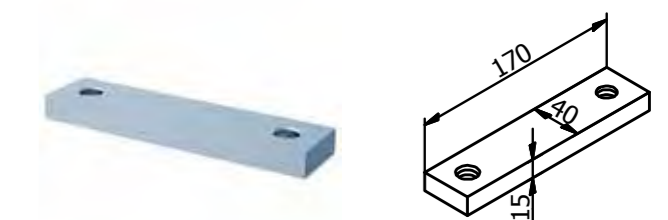
► Inside corner

Model: 5010	Aluminium	Outdoor	
Code		☐	E/PC
10.5010.300.11		1	125.90



► End cap

Model: 1011	Aluminium	Outdoor	
Code	Side	☐	E/PC
10.5010.400.11	Left	1	37.15
10.5010.450.11	Right	1	37.15



► Mounting bar

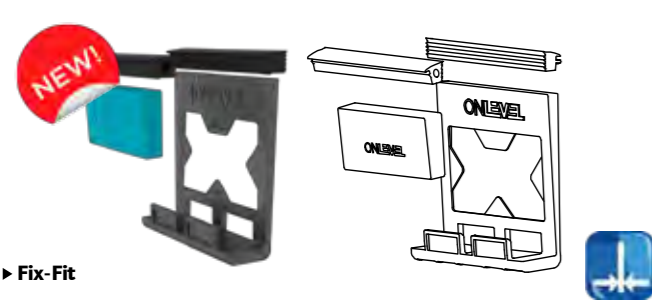
Model: 7004	Zinc-plated	Outdoor	
Code		☐	E/PC
90.7004.170.81		4	45.25



► Mounting anchor

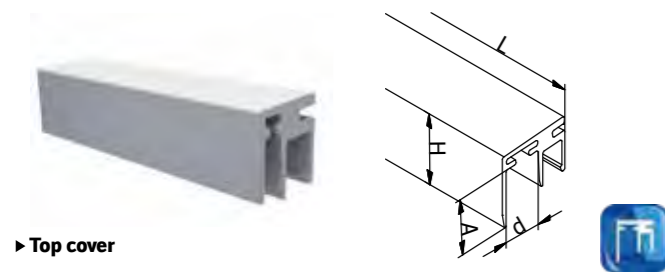
Model: 3501	Zinc-plated	Indoor	
Code		☐	E/PC
91.3501.220.81		20	92.50

Model: 3501	AISI 316	Outdoor	
Code		☐	E/PC
91.3501.220.30		20	269.80



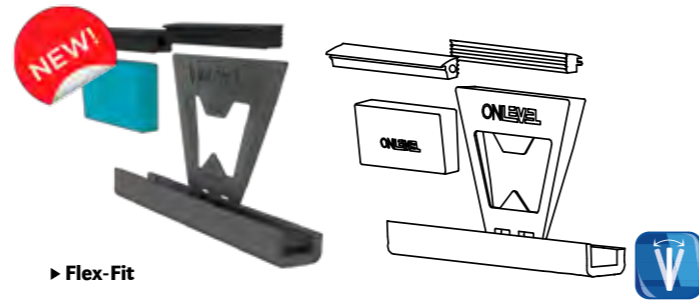
► Fix-Fit

Model: 0402/0405		Rubber		Outdoor		
Code	Colour	Thickness	L	⊞	E/PC	
90.0402.112.00	●	12	2500	1	42.70	
90.0405.112.00	●	12	5000	1	85.40	
90.0402.113.00	●	12.76	2500	1	42.70	
90.0405.113.00	●	12.76	5000	1	85.40	
90.0402.114.00	●	13.52	2500	1	42.70	
90.0405.114.00	●	13.52	5000	1	85.40	
90.0402.115.00	●	15	2500	1	42.70	
90.0405.115.00	●	15	5000	1	85.40	
90.0402.117.00	●	16.76	2500	1	42.70	
90.0405.117.00	●	16.76	5000	1	85.40	
90.0402.118.00	●	17.52	2500	1	42.70	
90.0405.118.00	●	17.52	5000	1	85.40	
90.0402.119.00	●	19	2500	1	42.70	
90.0405.119.00	●	19	5000	1	85.40	
90.0402.121.00	●	20.76	2500	1	42.70	
90.0405.121.00	●	20.76	5000	1	85.40	
90.0402.122.00	●	21.52	2500	1	42.70	
90.0405.122.00	●	21.52	5000	1	85.40	



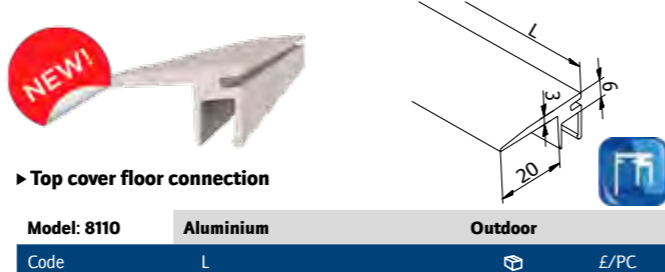
► Top cover

Model: 8010		Aluminium		Outdoor		
Code	d	L	H	A	⊞	E/PC
90.8010.032.11	3	2500	14	10	1	15.80
90.8010.035.11	3	5000	14	10	1	31.60
90.8010.102.11	10	2500	20	16	1	22.35
90.8010.105.11	10	5000	20	16	1	44.70
90.8010.202.11	20	2500	20	16	1	27.40
90.8010.205.11	20	5000	20	16	1	54.80
90.8011.202.11	120	2500	20	16	1	61.00
90.8011.205.11	120	5000	20	16	1	121.95



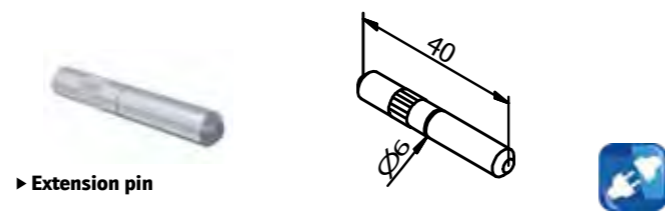
► Flex-Fit

Model: 0502/0505		Rubber		Outdoor		
Code	Colour	Thickness	L	⊞	E/PC	
90.0502.112.00	●	12	2500	1	56.05	
90.0505.112.00	●	12	5000	1	112.05	
90.0502.113.00	●	12.76	2500	1	56.05	
90.0505.113.00	●	12.76	5000	1	112.05	
90.0502.114.00	●	13.52	2500	1	56.05	
90.0505.114.00	●	13.52	5000	1	112.05	
90.0505.115.00	●	15	2500	1	56.05	
90.0505.115.00	●	15	5000	1	112.05	
90.0502.117.00	●	16.76	2500	1	56.05	
90.0505.117.00	●	16.76	5000	1	112.05	
90.0502.118.00	●	17.52	2500	1	56.05	
90.0505.118.00	●	17.52	5000	1	112.05	
90.0505.119.00	●	19	2500	1	56.05	
90.0505.119.00	●	19	5000	1	112.05	
90.0502.121.00	●	20.76	2500	1	56.05	
90.0505.121.00	●	20.76	5000	1	112.05	
90.0502.122.00	●	21.52	2500	1	56.05	
90.0505.122.00	●	21.52	5000	1	112.05	



► Top cover floor connection

Model: 8110		Aluminium		Outdoor	
Code	L	⊞	E/PC		
90.8110.202.11	2500	1	26.40		
90.8110.205.11	5000	1	52.80		



► Extension pin

Model: 7001		AISI 316		Outdoor	
Code	⊞	E/PC			
90.7001.640.31	8	10.85			



Longer attachment distances

OnLevel assembles and innovates. This innovation involves taking a good look at the product as a whole. Besides safety, design and quality the assembly costs also play an important role. One of the ways of reducing the assembly costs is to minimize the number of anchoring points the glass profile requires. Each anchor which can be saved means that one less hole has to be drilled, of course stability still has to be guaranteed. To achieve this OnLevel has developed an integrated torsion box which combines these two properties. (Please see the longer drilling distance logo on the profile for possible use).





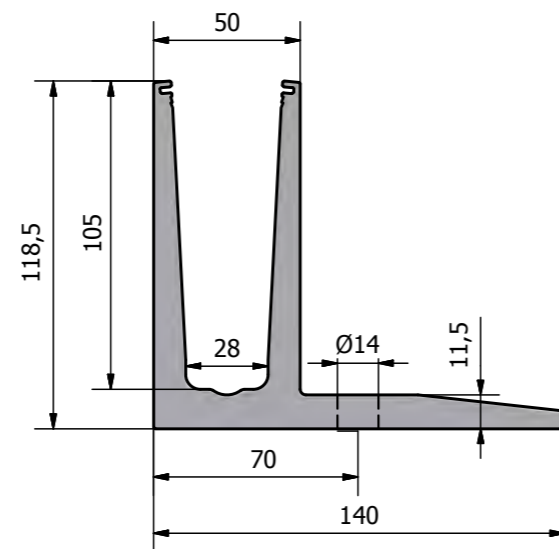
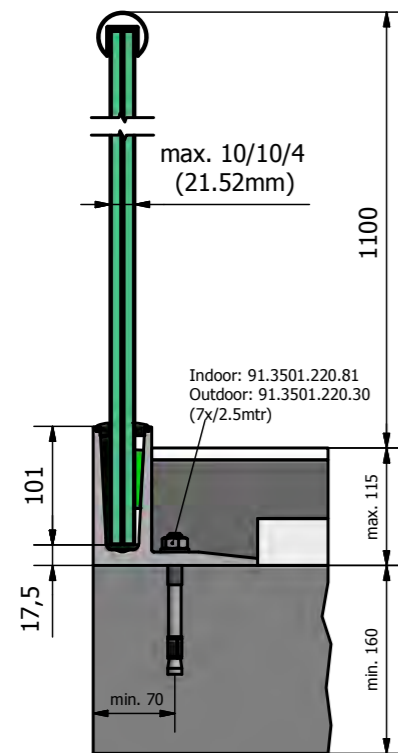
Glass-tec

TRANS LEVEL 30 | 0.74kN TOP MOUNT

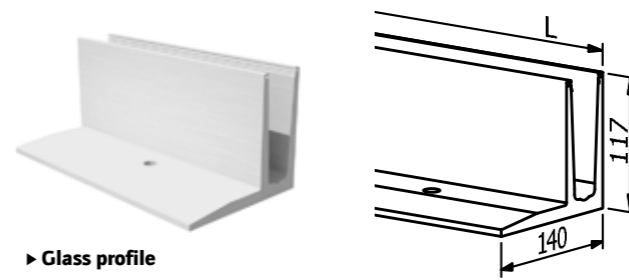
- Slender, attractive design and low maintenance
- OnLevel Fix-Fit glass assembly system
- Water drainage openings
- Top cover (optional)

APPROVED according to **BS6180**

LUCIDEON
thought (re)defined

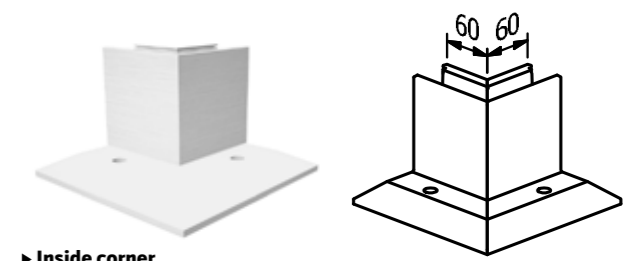


TRANS LEVEL 30 | 0.74kN TOP MOUNT



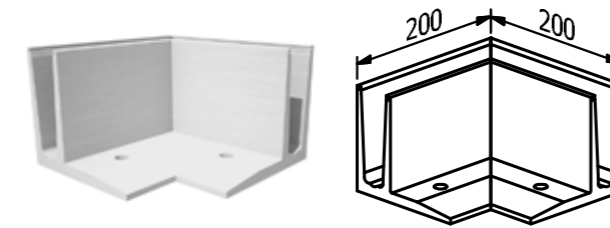
► Glass profile

Model: 3010	Aluminium	Outdoor		
Code	L	☐	E/PC	
10.3010.002.11	2500	1	338.10	
10.3010.005.11	5000	1	676.20	



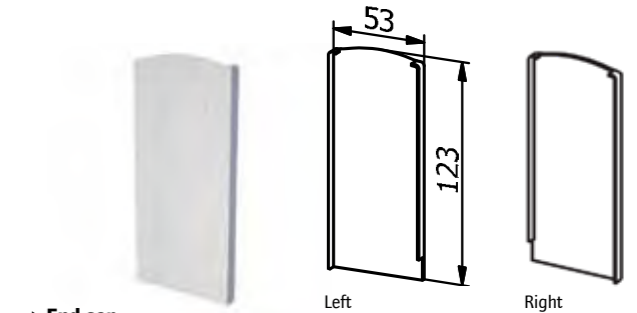
► Inside corner

Model: 3010	Aluminium	Outdoor		
Code		☐	E/PC	
10.3010.300.11		1	125.90	



► Outside corner

Model: 3010	Aluminium	Outdoor		
Code		☐	E/PC	
10.3010.350.11		1	125.90	



► End cap

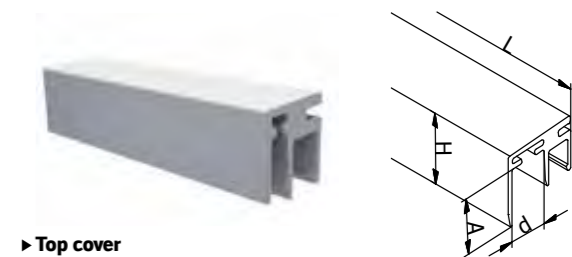
Model: 3010	Aluminium	Outdoor		
Code	Side	☐	E/PC	
10.3010.400.11	Left	1	37.70	
10.3010.450.11	Right	1	37.70	



► Mounting anchor

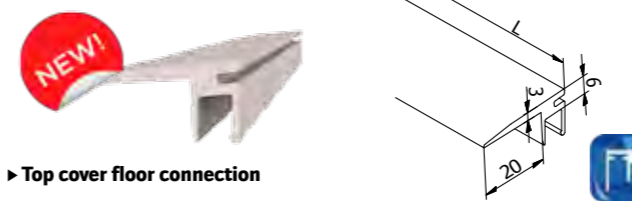
Model: 3501	Zinc-plated	Indoor		
Code	Quantity per 2500mm	☐	E/PC	
91.3501.220.81	7	20	92.50	

Model: 3501	AISI 316	Outdoor		
Code	Quantity per 2500mm	☐	E/PC	
91.3501.220.30	7	20	269.80	



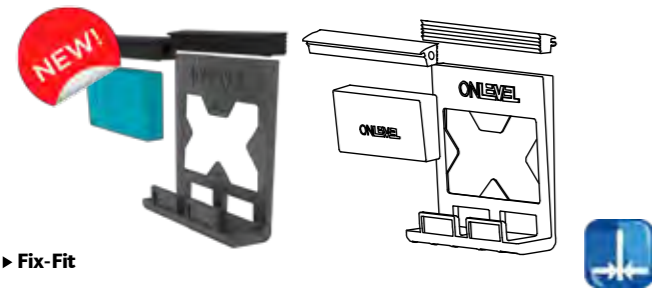
► Top cover

Model: 8010	Aluminium	Outdoor		
Code	d L H A	☐	E/PC	
90.8010.032.11	3 2500 14 10	1	15.80	
90.8010.035.11	3 5000 14 10	1	31.60	
90.8010.102.11	10 2500 20 16	1	22.35	
90.8010.105.11	10 5000 20 16	1	44.70	
90.8010.202.11	20 2500 20 16	1	27.40	
90.8010.205.11	20 5000 20 16	1	54.80	
90.8011.202.11	120 2500 20 16	1	61.00	NEW!
90.8011.205.11	120 5000 20 16	1	121.95	NEW!



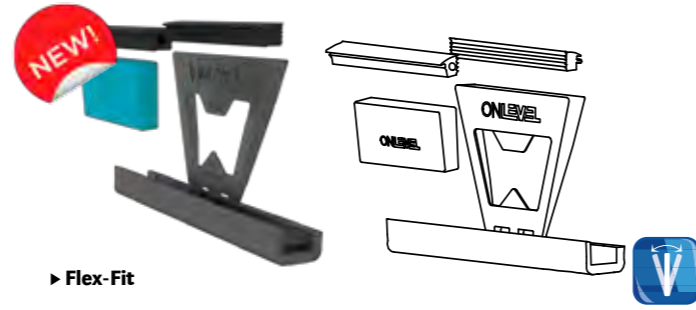
► Top cover floor connection

Model: 8110	Aluminium	Outdoor		
Code	L	☐	E/PC	
90.8110.202.11	2500	1	26.40	
90.8110.205.11	5000	1	52.80	



► Fix-Fit

Model: 0402/0405		Rubber		Outdoor		
Code	Colour	Thickness	L	⊞	£/PC	
90.0402.112.00	●	12	2500	1	42.70	
90.0405.112.00	●	12	5000	1	85.40	
90.0402.113.00	●	12.76	2500	1	42.70	
90.0405.113.00	●	12.76	5000	1	85.40	
90.0402.114.00	●	13.52	2500	1	42.70	
90.0405.114.00	●	13.52	5000	1	85.40	
90.0402.115.00	●	15	2500	1	42.70	
90.0405.115.00	●	15	5000	1	85.40	
90.0402.117.00	●	16.76	2500	1	42.70	
90.0405.117.00	●	16.76	5000	1	85.40	
90.0402.118.00	●	17.52	2500	1	42.70	
90.0405.118.00	●	17.52	5000	1	85.40	
90.0402.119.00	●	19	2500	1	42.70	
90.0405.119.00	●	19	5000	1	85.40	
90.0402.121.00	●	20.76	2500	1	42.70	
90.0405.121.00	●	20.76	5000	1	85.40	
90.0402.122.00	●	21.52	2500	1	42.70	
90.0405.122.00	●	21.52	5000	1	85.40	



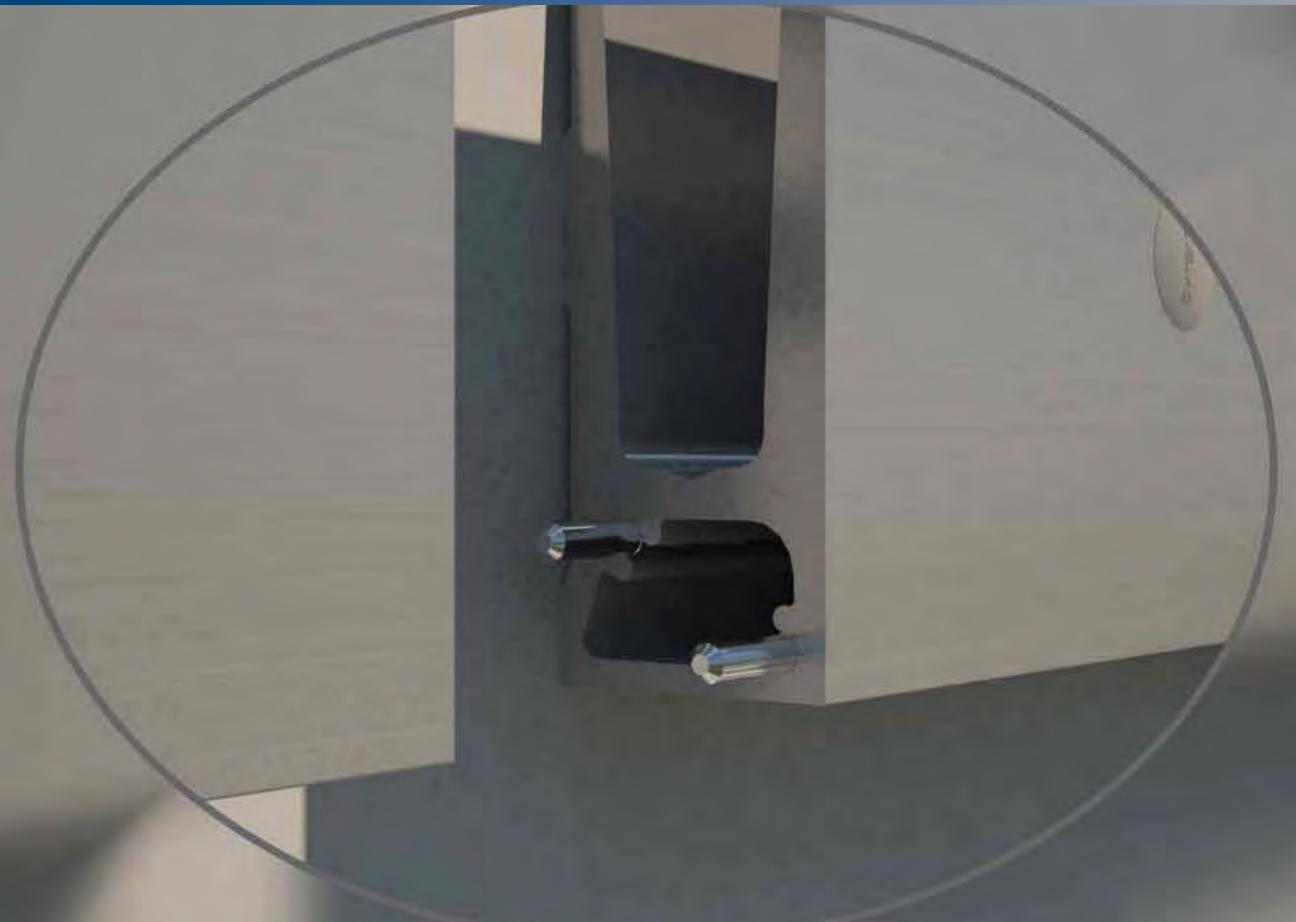
► Flex-Fit

Model: 0502/0505		Rubber		Outdoor		
Code	Colour	Thickness	L	⊞	£/PC	
90.0502.112.00	●	12	2500	1	56.05	
90.0505.112.00	●	12	5000	1	112.05	
90.0502.113.00	●	12.76	2500	1	56.05	
90.0505.113.00	●	12.76	5000	1	112.05	
90.0502.114.00	●	13.52	2500	1	56.05	
90.0505.114.00	●	13.52	5000	1	112.05	
90.0505.115.00	●	15	2500	1	56.05	
90.0505.115.00	●	15	5000	1	112.05	
90.0502.117.00	●	16.76	2500	1	56.05	
90.0505.117.00	●	16.76	5000	1	112.05	
90.0502.118.00	●	17.52	2500	1	56.05	
90.0505.118.00	●	17.52	5000	1	112.05	
90.0505.119.00	●	19	2500	1	56.05	
90.0505.119.00	●	19	5000	1	112.05	
90.0502.121.00	●	20.76	2500	1	56.05	
90.0505.121.00	●	20.76	5000	1	112.05	
90.0502.122.00	●	21.52	2500	1	56.05	
90.0505.122.00	●	21.52	5000	1	112.05	



Extension pin

The OnLevel extension pin is the perfect solution to create a seamless connection. It is easy to assemble and simply has to be tapped in. It is made from high-quality 316 stainless steel, which makes it suitable for both indoor and outdoor use. It can be ordered under Code 90.7001.640.31. (Please see the extension pin logo on the profile for possible use).





Glass-tec

TRANS LEVEL 30 | 3.0KN TOP MOUNT

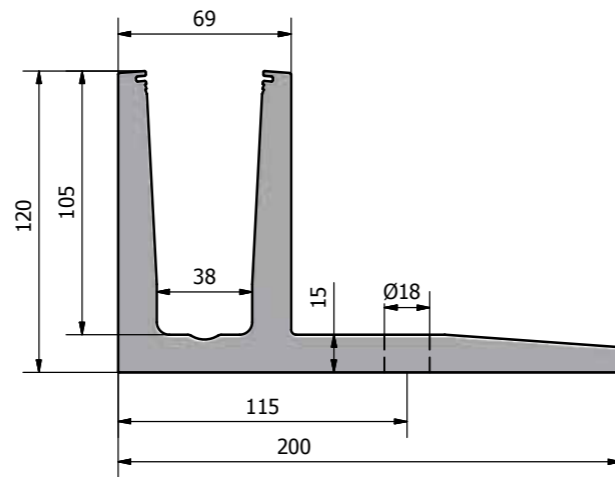
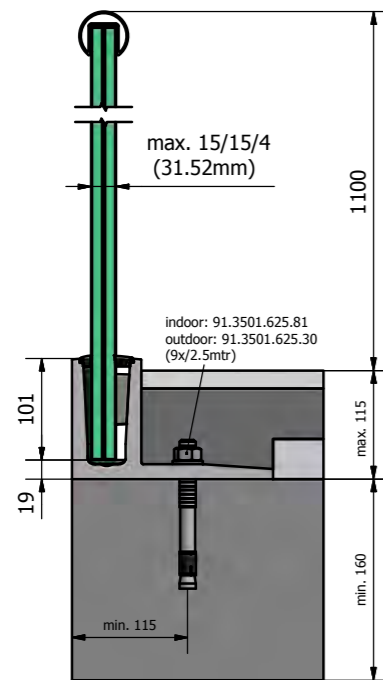
- Slender, attractive design and low maintenance
- OnLevel Fix-Fit glass assembly system
- Water drainage openings
- Top cover (optional)

APPROVED according to **BS6180**

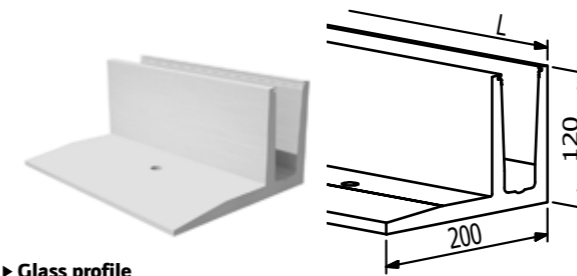
LUCIDEON
LIGHTING (SUNSHINE) TECHNOLOGIES



EN1090-1

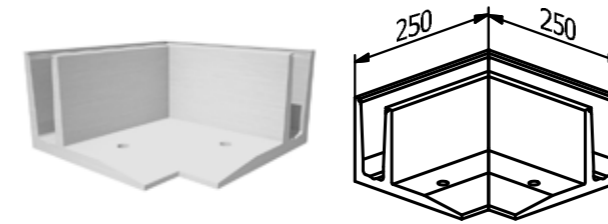


TRANS LEVEL 30 | 3.0KN TOP MOUNT



► Glass profile

Model: 3030	Aluminium	Outdoor		
Code	L	☐	£/PC	
10.3030.002.11	2500	1	538.55	



► Outside corner

Model: 3030	Aluminium	Outdoor		
Code		☐	£/PC	
10.3030.350.11		1	163.65	



► Mounting anchor

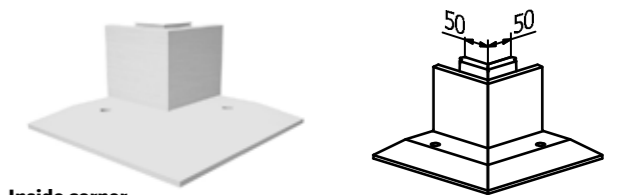
Model: 3501	Zinc-plated	Indoor		
Code	Quantity per 2500mm	☐	£/PC	
91.3501.625.81	9	10	74.45	

Model: 3501	AISI 316	Outdoor		
Code	Quantity per 2500mm	☐	£/PC	
91.3501.625.30	9	10	542.85	



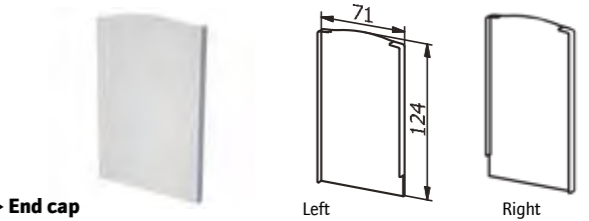
► Flex-Fit

Model: 0502/0505	Rubber	Outdoor			
Code	Colour	Thickness	L	☐	£/PC
90.0502.322.00	●	21.52	2500	1	64.05
90.0505.322.00	●	21.52	5000	1	128.05
90.0502.326.00	●	25.52	2500	1	64.05
90.0505.326.00	●	25.52	5000	1	128.05
90.0502.332.00	●	31.52	2500	1	64.05
90.0505.332.00	●	31.52	5000	1	128.05



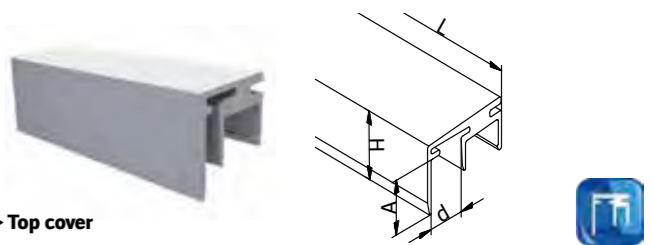
► Inside corner

Model: 3030	Aluminium	Outdoor		
Code		☐	£/PC	
10.3030.300.11		1	163.65	



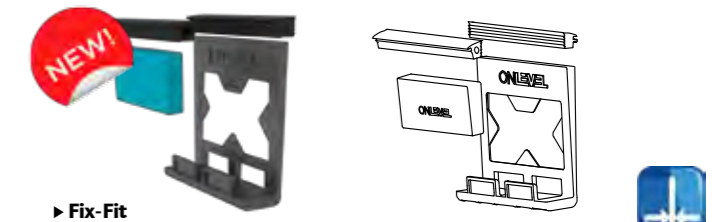
► End cap

Model: 3030	Aluminium	Outdoor		
Code	Side	☐	£/PC	
10.3030.400.11	Left	1	37.15	
10.3030.450.11	Right	1	37.15	



► Top cover

Model: 8030	Aluminium	Outdoor				
Code	d	L	H	A	☐	£/PC
90.8030.032.11	3	2500	14	10	1	21.60
90.8030.035.11	3	5000	14	10	1	43.20
90.8030.102.11	10	2500	20	16	1	26.60
90.8030.105.11	10	5000	20	16	1	53.20
90.8030.202.11	20	2500	20	16	1	33.80
90.8030.205.11	20	5000	20	16	1	67.50



► Fix-Fit

Model: 0402/0405	Rubber	Outdoor			
Code	Colour	Thickness	L	☐	£/PC
90.0402.322.00	●	21.52	2500	1	48.05
90.0405.322.00	●	21.52	5000	1	96.05
90.0402.326.00	●	25.52	2500	1	48.05
90.0405.326.00	●	25.52	5000	1	96.05
90.0402.332.00	●	31.52	2500	1	48.05
90.0405.332.00	●	31.52	5000	1	96.05



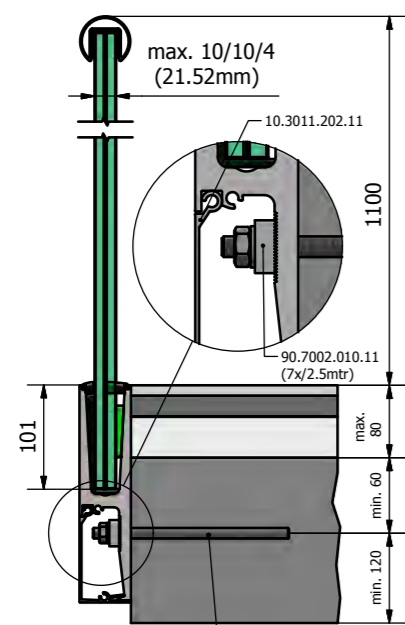
Glass-tec

TRANS LEVEL 30 | 0.74kN SIDE MOUNT

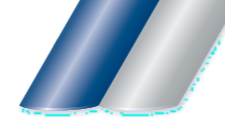
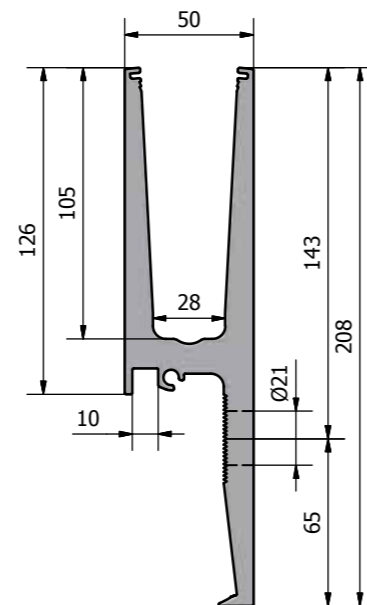
- Slender, attractive design and low maintenance
- OnLevel Fix-Fit glass assembly system
- Extension pin ducts
- Water drainage openings
- Top cover (optional)
- Partial cap (optional)

APPROVED
according to
BS6180

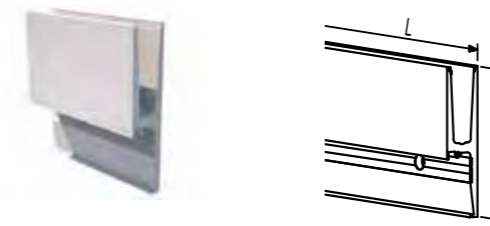
LUCIDEON
LUCIDATION TECHNOLOGIES



indoor: 91.3541.019.81
outdoor: 91.3541.019.30 (7x/2.5mtr)

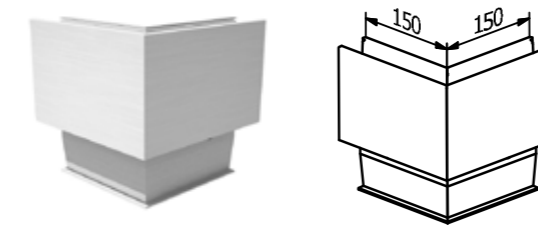


TRANS LEVEL 30 | 0.74kN SIDE MOUNT



► Glass profile

Model: 3011	Aluminium	Outdoor	
Code	L	☐	E/PC
10.3011.002.11	2500	1	347.45
10.3011.005.11	5000	1	694.90



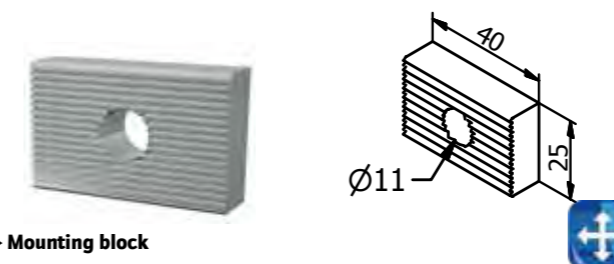
► Outside corner

Model: 3011	Aluminium	Outdoor	
Code		☐	E/PC
10.3011.350.11		1	125.90



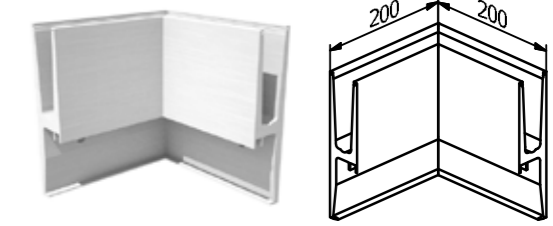
► Mounting anchor

Model: 3541	Zinc-plated	Indoor	
Code		☐	E/PC
91.3541.019.81		10	21.15
Model: 3541	AISI 316	Outdoor	
Code		☐	E/PC
91.3541.019.30		10	67.55



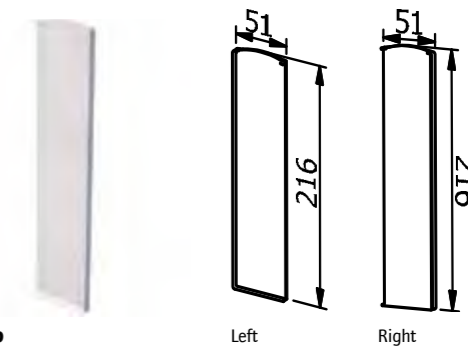
► Mounting block

Model: 7002	Aluminium	Outdoor	
Code		☐	E/PC
90.7002.010.11		8	12.65



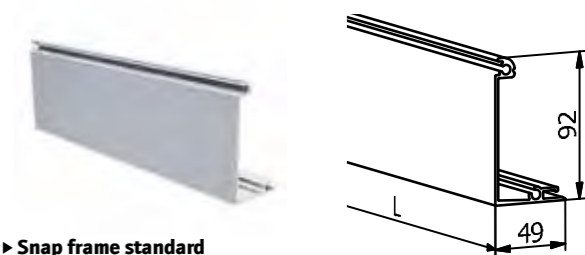
► Inside corner

Model: 3011	Aluminium	Outdoor	
Code		☐	E/PC
10.3011.300.11		1	125.90



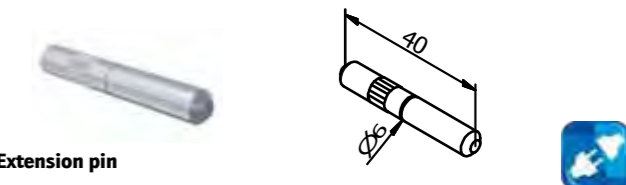
► End cap

Model: 3011	Aluminium	Outdoor	
Code	Side	☐	E/PC
10.3011.410.11	Left	1	37.15
10.3011.460.11	Right	1	37.15



► Snap frame standard

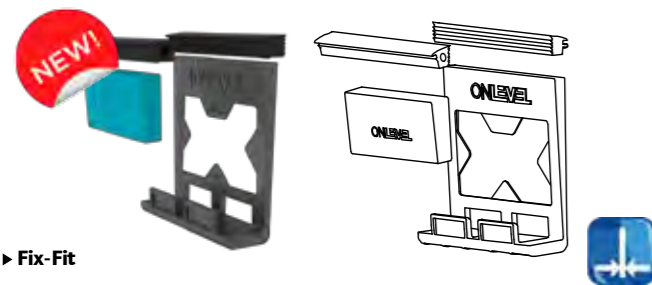
Model: 3011	Aluminium	Outdoor	
Code	L	☐	E/PC
10.3011.202.11	2500	1	51.45
10.3011.205.11	5000	1	102.90



► Extension pin

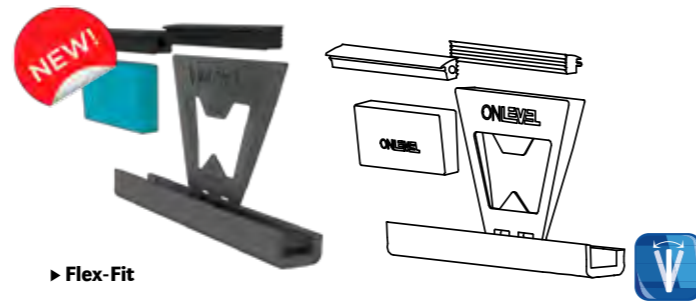
Model: 7001	AISI 316	Outdoor	
Code		☐	E/PC
90.7001.640.31		8	10.85

TRANS LEVEL 30 | 0.74KN SIDE MOUNT



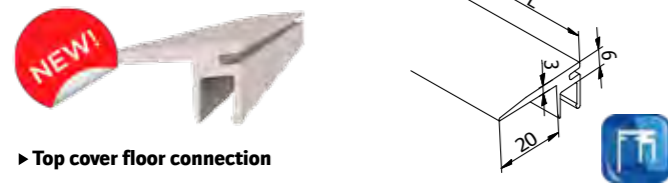
► **Fix-Fit**

Model: 0402/0405		Rubber		Outdoor		
Code	Colour	Thickness	L	⊞	£/PC	
90.0402.112.00	●	12	2500	1	42.70	
90.0405.112.00	●	12	5000	1	85.40	
90.0402.113.00	●	12.76	2500	1	42.70	
90.0405.113.00	●	12.76	5000	1	85.40	
90.0402.114.00	●	13.52	2500	1	42.70	
90.0405.114.00	●	13.52	5000	1	85.40	
90.0402.115.00	●	15	2500	1	42.70	
90.0405.115.00	●	15	5000	1	85.40	
90.0402.117.00	●	16.76	2500	1	42.70	
90.0405.117.00	●	16.76	5000	1	85.40	
90.0402.118.00	●	17.52	2500	1	42.70	
90.0405.118.00	●	17.52	5000	1	85.40	
90.0402.119.00	●	19	2500	1	42.70	
90.0405.119.00	●	19	5000	1	85.40	
90.0402.121.00	●	20.76	2500	1	42.70	
90.0405.121.00	●	20.76	5000	1	85.40	
90.0402.122.00	●	21.52	2500	1	42.70	
90.0405.122.00	●	21.52	5000	1	85.40	



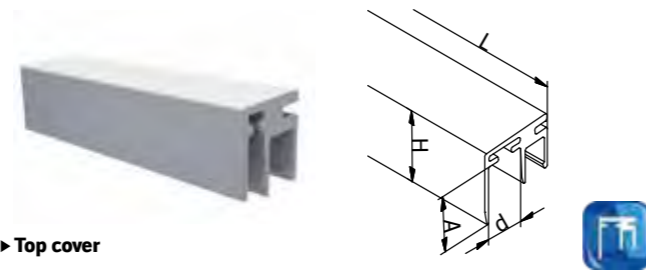
► **Flex-Fit**

Model: 0502/0505		Rubber		Outdoor		
Code	Colour	Thickness	L	⊞	£/PC	
90.0502.112.00	●	12	2500	1	56.05	
90.0505.112.00	●	12	5000	1	112.05	
90.0502.113.00	●	12.76	2500	1	56.05	
90.0505.113.00	●	12.76	5000	1	112.05	
90.0502.114.00	●	13.52	2500	1	56.05	
90.0505.114.00	●	13.52	5000	1	112.05	
90.0505.115.00	●	15	2500	1	56.05	
90.0505.115.00	●	15	5000	1	112.05	
90.0502.117.00	●	16.76	2500	1	56.05	
90.0505.117.00	●	16.76	5000	1	112.05	
90.0502.118.00	●	17.52	2500	1	56.05	
90.0505.118.00	●	17.52	5000	1	112.05	
90.0505.119.00	●	19	2500	1	56.05	
90.0505.119.00	●	19	5000	1	112.05	
90.0502.121.00	●	20.76	2500	1	56.05	
90.0505.121.00	●	20.76	5000	1	112.05	
90.0502.122.00	●	21.52	2500	1	56.05	
90.0505.122.00	●	21.52	5000	1	112.05	



► **Top cover floor connection**

Model: 8110		Aluminium		Outdoor	
Code	L	⊞	£/PC		
90.8110.202.11	2500	1	26.40		
90.8110.205.11	5000	1	52.80		



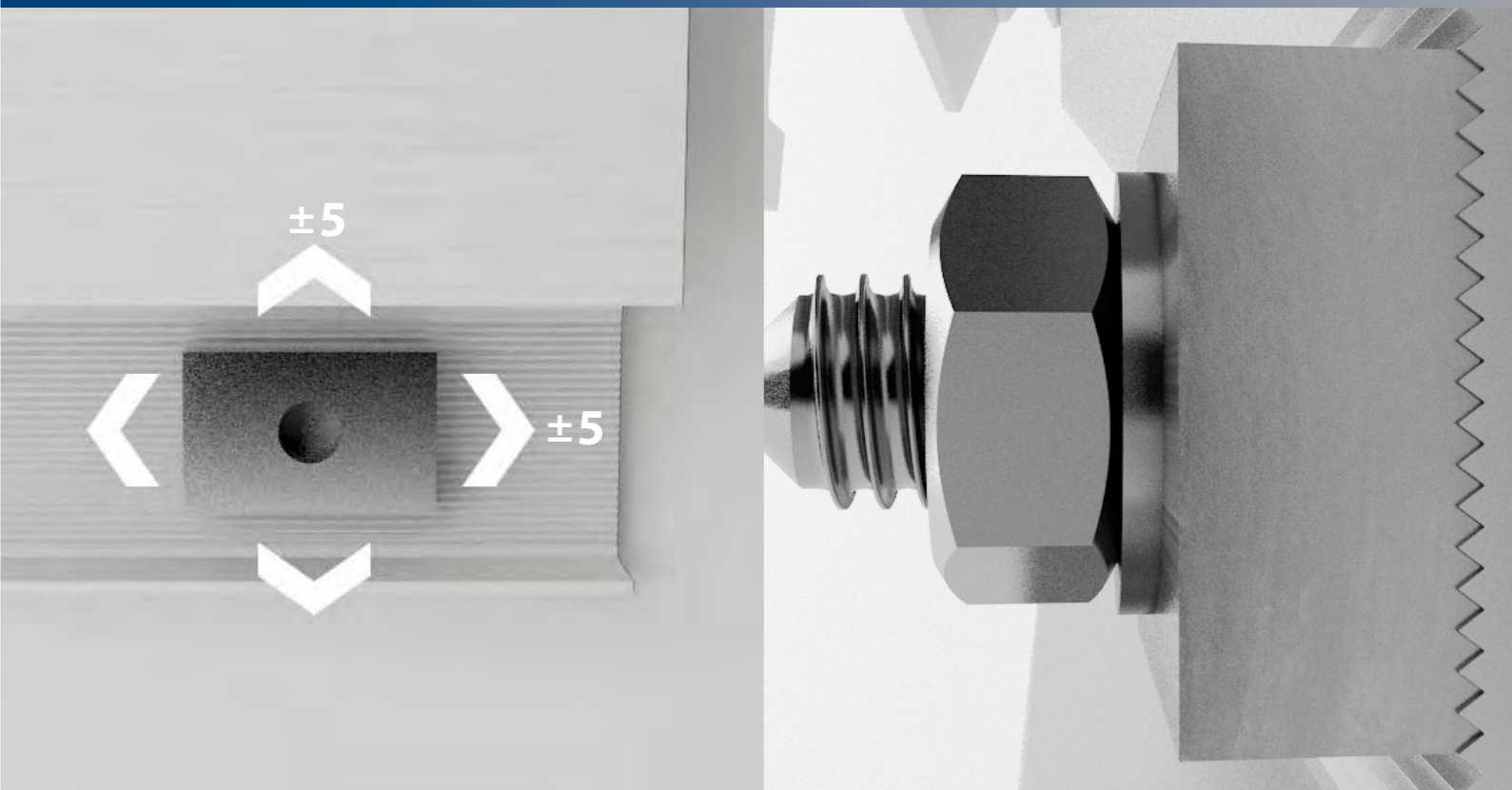
► **Top cover**

Model: 8010		Aluminium			Outdoor	
Code	d	L	H	A	⊞	£/PC
90.8010.032.11	3	2500	14	10	1	15.80
90.8010.035.11	3	5000	14	10	1	31.60
90.8010.102.11	10	2500	20	16	1	22.35
90.8010.105.11	10	5000	20	16	1	44.70
90.8010.202.11	20	2500	20	16	1	27.40
90.8010.205.11	20	5000	20	16	1	54.80
90.8011.202.11	120	2500	20	16	1	61.00
90.8011.205.11	120	5000	20	16	1	121.95



Mounting block

OnLevel mounting block, solid but flexible. By making optimal use of the potential offered by Aluminium extrusion we have been able to increase the flexibility for dealing with construction and mounting tolerances. The hole for the purposes of fixing our glass profiles therefore no longer needs to be drilled precisely but offers a tolerance of +/-5mm in each direction. To ensure that the glass balustrade is kept in place the mounting block is toothed preventing the possibility of slipping between the two parts. Please pay attention to the label regarding the application.





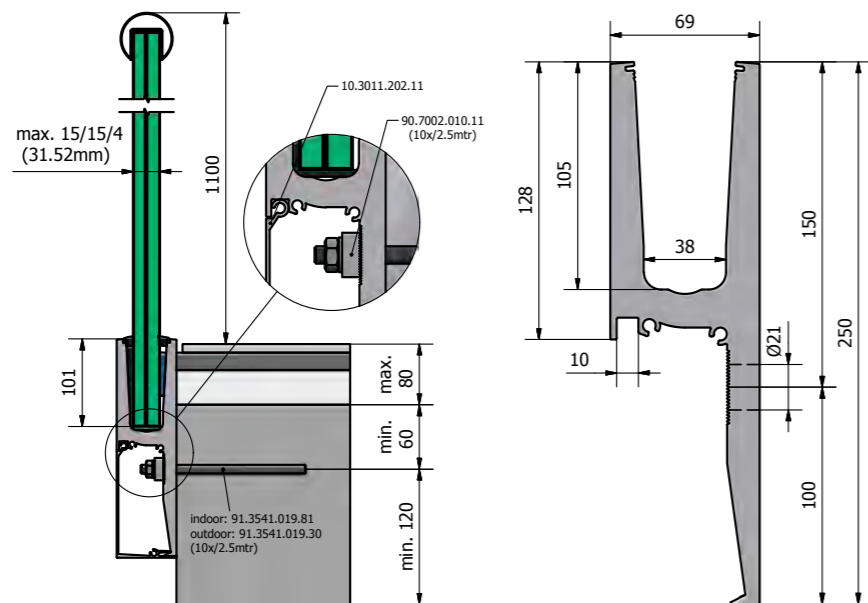
Glass-tec

TRANS LEVEL 30 | 1.5kN SIDE MOUNT

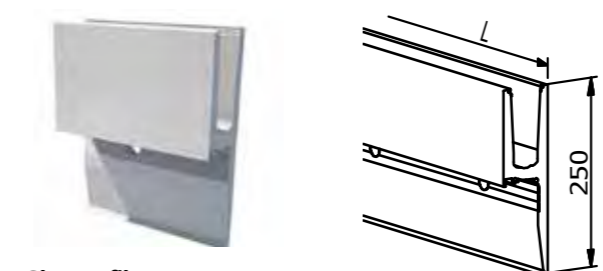
- Slender, attractive design and low maintenance
- OnLevel Fix-Fit glass assembly system
- Extension pin ducts
- Water drainage openings
- Top cover (optional)
- Partial cap (optional)

APPROVED
according to
BS6180

LUCIDEON
thought (con)crete knowledge

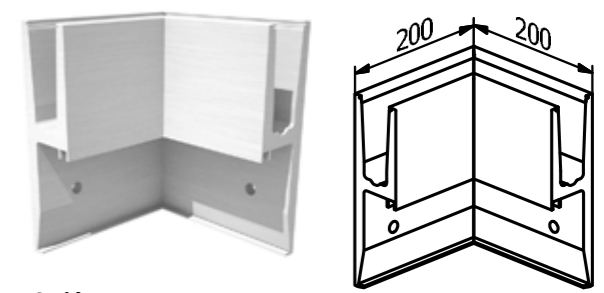


TRANS LEVEL 30 | 1.5kN SIDE MOUNT



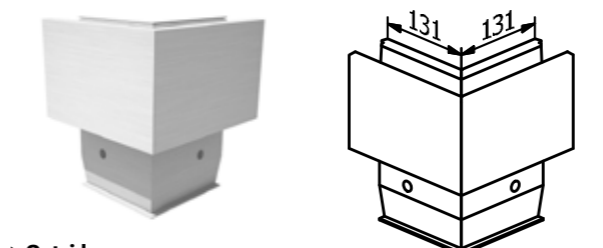
► Glass profile

Model: 3031	Aluminium	Outdoor		
Code	L	☐	E/PC	
10.3031.002.11	2500	1	541.10	



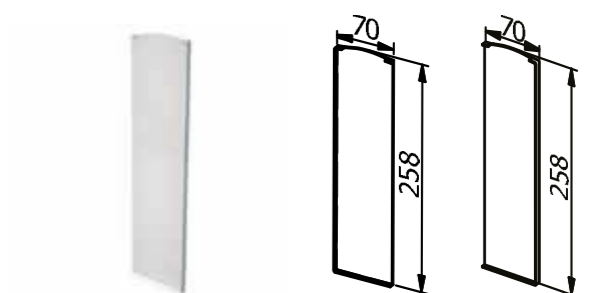
► Inside corner

Model: 3031	Aluminium	Outdoor		
Code		☐	E/PC	
10.3031.300.11		1	163.65	



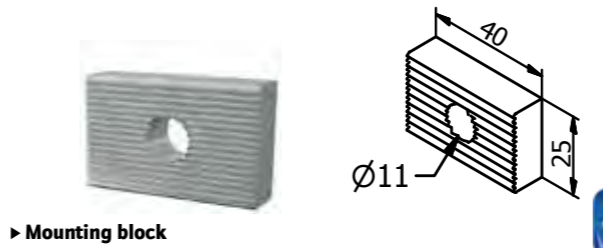
► Outside corner

Model: 3031	Aluminium	Outdoor		
Code		☐	E/PC	
10.3031.350.11		1	163.65	



► End cap

Model: 3031	Aluminium	Outdoor		
Code	Side	☐	E/PC	
10.3031.410.11	Left	1	37.20	
10.3031.460.11	Right	1	37.20	



► Mounting block

Model: 7002	Aluminium	Outdoor		
Code		☐	E/PC	
90.7002.010.11		8	12.65	



► Snap frame

Model: 3031	Aluminium	Outdoor		
Code	L	☐	E/PC	
10.3031.202.11	2500	1	51.45	
10.3031.205.11	5000	1	102.90	



► Mounting anchor

Model: 3541	Zinc-plated	Indoor		
Code	Quantity per 2500mm	☐	E/PC	
91.3541.019.81	10	10	21.15	

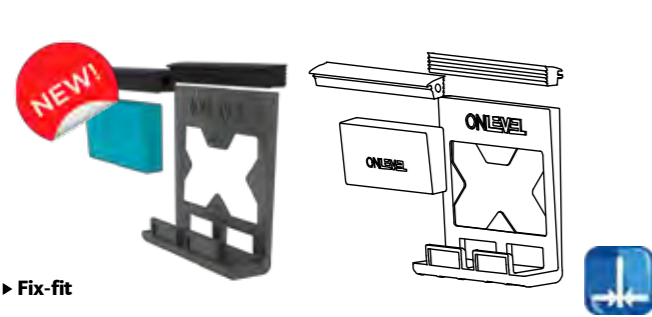
Model: 3541	AISI 316	Outdoor		
Code	Quantity per 2500mm	☐	E/PC	
91.3541.019.30	10	10	67.55	



► Extension pin

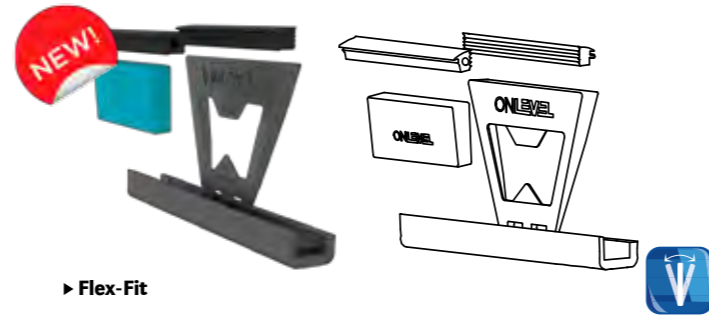
Model: 7001	AISI 316	Outdoor		
Code		☐	E/PC	
90.7001.640.31		8	10.85	

TRANS LEVEL 30 | 1.5KN SIDE MOUNT



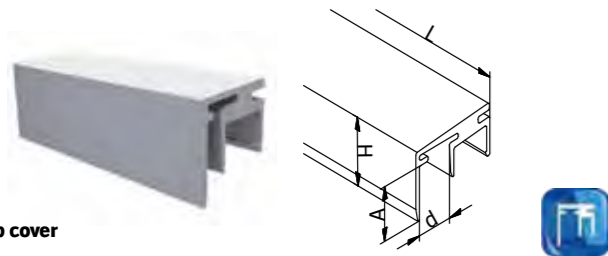
► **Fix-fit**

Model: 0402/0405		Rubber		Outdoor		
Code	Colour	Thickness	L	⊞	£/PC	
90.0402.322.00	●	21.52	2500	1	48.05	
90.0405.322.00	●	21.52	5000	1	96.05	
90.0402.326.00	●	25.52	2500	1	48.05	
90.0405.326.00	●	25.52	5000	1	96.05	
90.0402.332.00	●	31.52	2500	1	48.05	
90.0405.332.00	●	31.52	5000	1	96.05	



► **Flex-Fit**

Model: 0502/0505		Rubber		Outdoor		
Code	Colour	Thickness	L	⊞	£/PC	
90.0502.322.00	●	21.52	2500	1	64.05	
90.0505.322.00	●	21.52	5000	1	128.05	
90.0502.326.00	●	25.52	2500	1	64.05	
90.0505.326.00	●	25.52	5000	1	128.05	
90.0502.332.00	●	31.52	2500	1	64.05	
90.0505.332.00	●	31.52	5000	1	128.05	



► **Top cover**

Model: 8030		Aluminium			Outdoor	
Code	d	L	H	A	⊞	£/PC
90.8030.032.11	3	2500	14	10	1	21.60
90.8030.035.11	3	5000	14	10	1	43.20
90.8030.102.11	10	2500	20	16	1	26.60
90.8030.105.11	10	5000	20	16	1	53.20
90.8030.202.11	20	2500	20	16	1	33.80
90.8030.205.11	20	5000	20	16	1	67.50





Glass-tec

TRANS LEVEL 20 | GLASS CONNECTORS

- Modern design
- Available in Ø80, Ø60, Ø50 and Ø30
- Available in 304 stainless steel (interior use) and 316 stainless steel (exterior use)



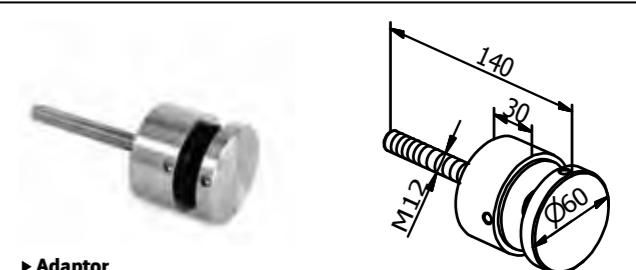
TRANS LEVEL 20 | GLASS CONNECTORS



► Adaptor

Model: 2060/2080	AISI 304		Indoor	
Code	D	L	☐	€/PC
10.2060.100.21	60	130	1	18.35
10.2080.100.21	80	195	1	31.25

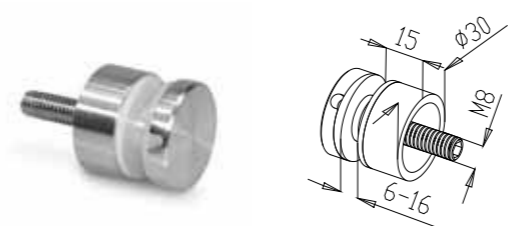
Model: 2060/2080	AISI 316		Outdoor	
Code	D	L	☐	€/PC
10.2060.100.31	60	130	1	30.65
10.2080.100.31	80	195	1	37.85



► Adaptor

Model: 2060	AISI 304	Indoor	
Code	D	☐	€/PC
10.2060.300.21	Ø60.3x1.5	2	32.65

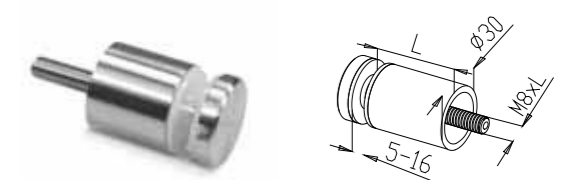
Model: 2060	AISI 316	Outdoor	
Code	D	☐	€/PC
10.2060.300.31	Ø60.3x1.5	2	43.30



► Adaptor

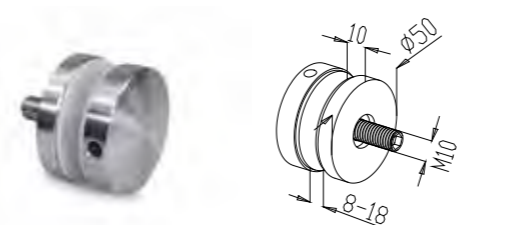
Model: 4010	AISI 304	Indoor	
Code		☐	€/PC
34.4010.000.S		1	7.08

Model: 4010	AISI 316	Outdoor	
Code		☐	€/PC
36.4010.000.S		1	10.65



► Adaptor

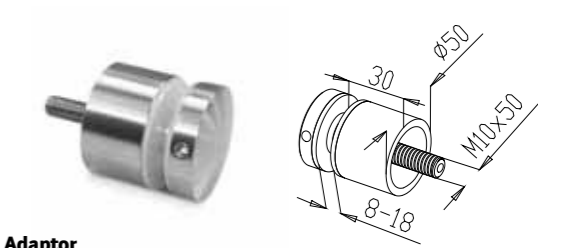
Model: 4010	AISI 304	Indoor	
Code		☐	€/PC
34.4010.100.S		1	8.44



► Adaptor

Model: 4030	AISI 304	Indoor	
Code		☐	€/PC
34.4030.000.S		1	13.73

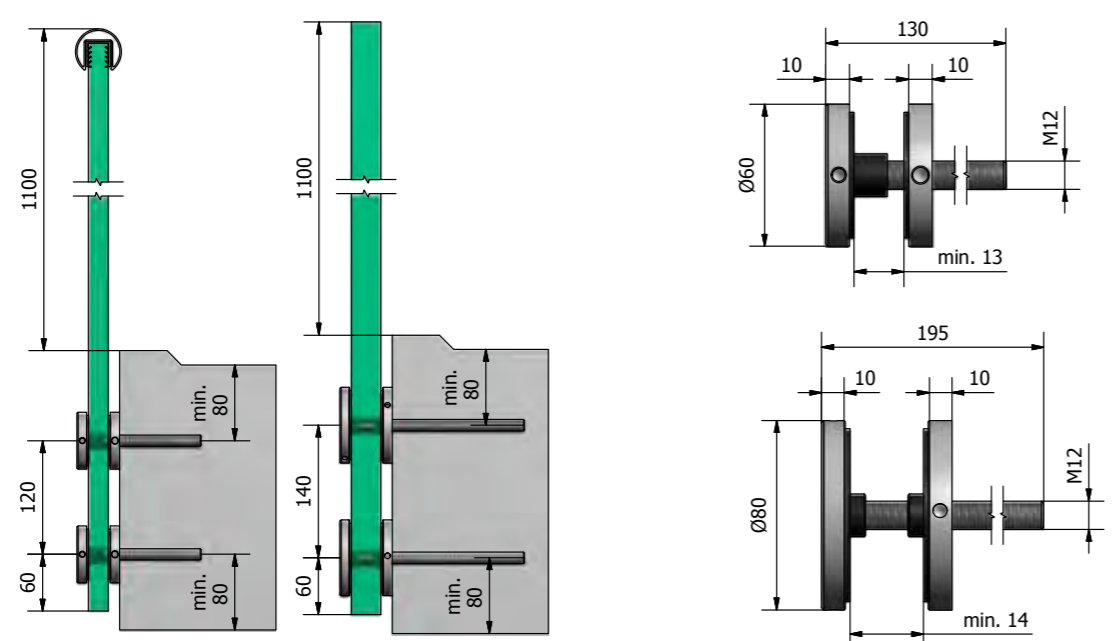
Model: 4030	AISI 316	Outdoor	
Code		☐	€/PC
36.4030.000.S		1	18.95



► Adaptor

Model: 4030	AISI 304	Indoor	
Code		☐	€/PC
34.4030.100.S		1	17.16

Model: 4030	AISI 316	Outdoor	
Code		☐	€/PC
36.4030.100.S		1	22.81



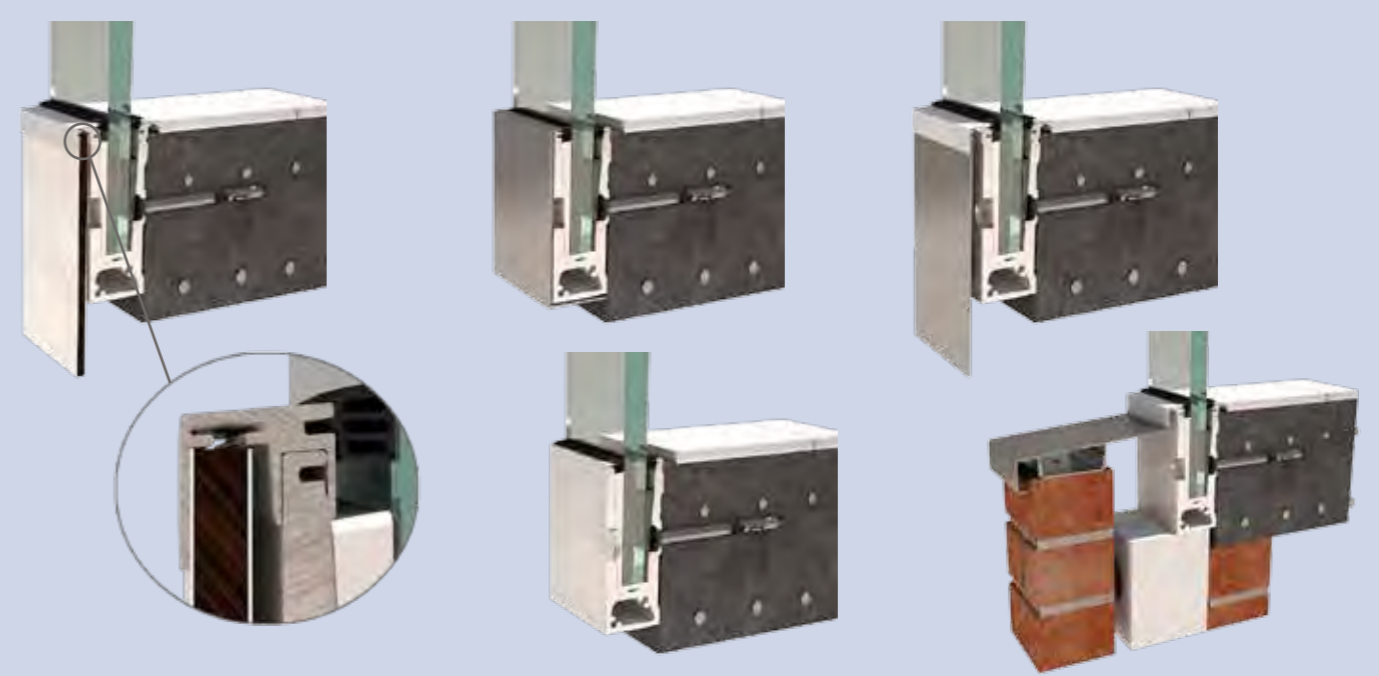
Model 2060 and 2080 only



Glass-tec

TRANS LEVEL 21 | SIDE MOUNT

- Modern design
- Single point fixing
- Available in 304 stainless steel (interior use)



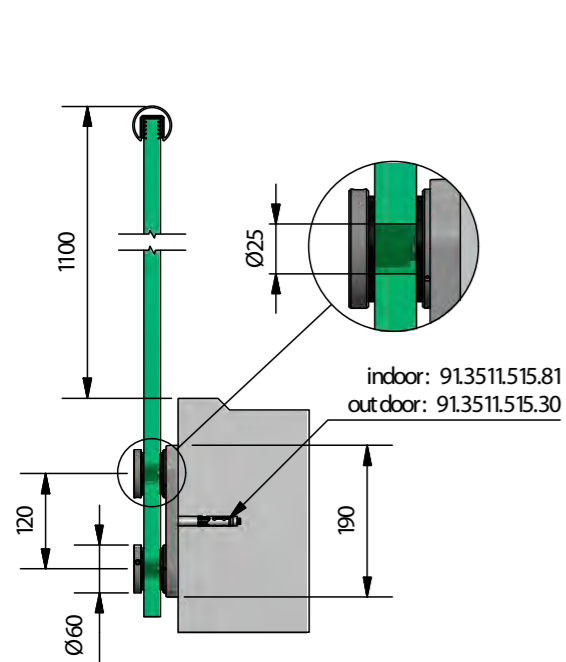
Top cover

There are almost as many glass balustrade applications in projects as there are projects. We have developed the Top cover profile for a seamless fit in your project. This profile can easily be clicked on to all OnLevel glass balustrade profiles and can be used for an almost endless series of connections.



Fix-Fit

In a world which is becoming more complex by the day, OnLevel is continuously searching for simplicity. This search has resulted in the development of our Fix-Fit glass assembly system, which allows you to assemble the glass in the glass profile in just five easy steps.



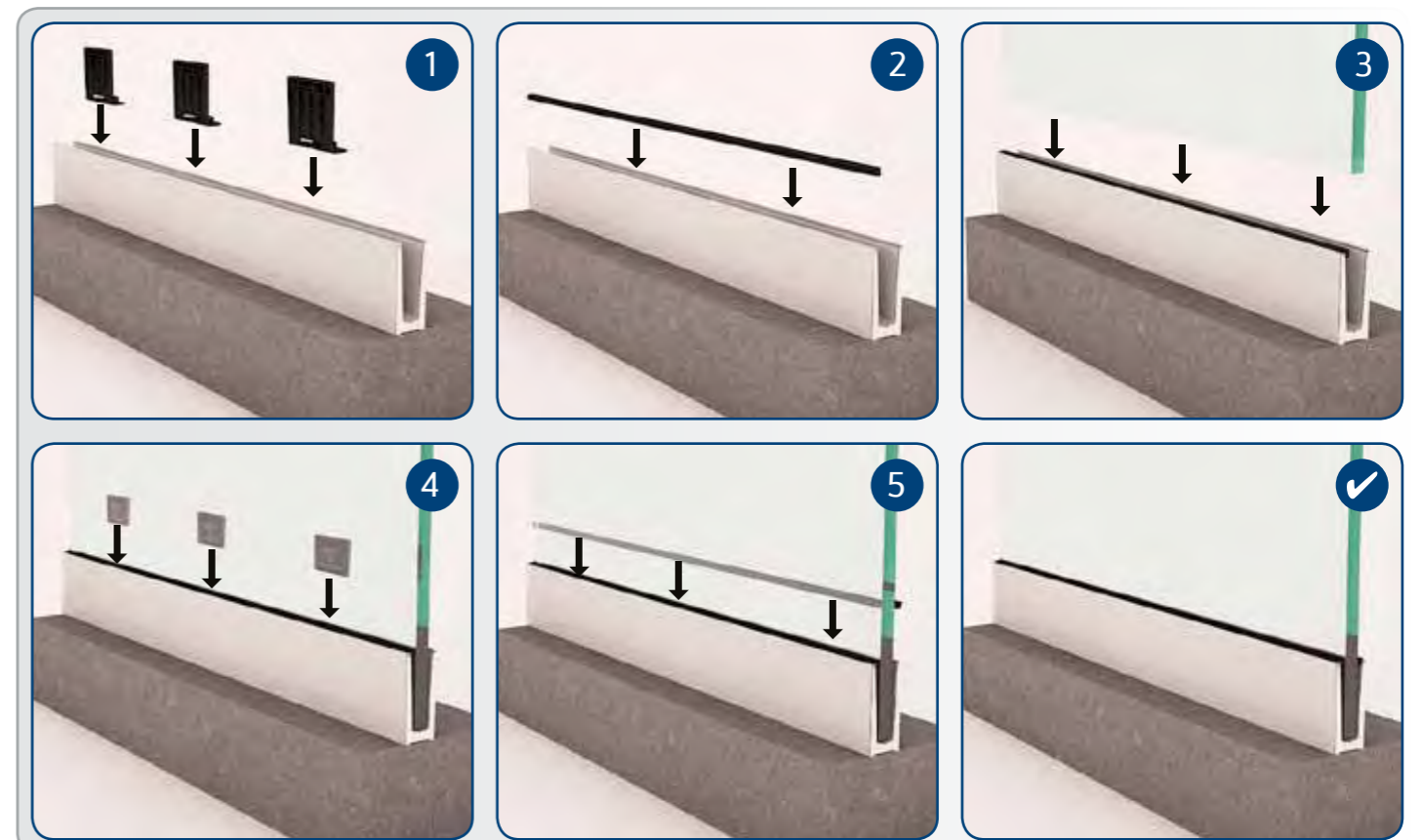
Adaptor

Model: 2160	AISI 316	Outdoor
Code	Diameter	⊞ E/PC
10.2160.100.31	Ø60	1 125.60

Mounting anchor

Model: 3511	Zinc-plated	Indoor
Code		⊞ E/PC
91.3511.515.81		25 174.50

Model: 3511	AISI 316	Outdoor
Code		⊞ E/PC
91.3511.515.30		25 513.85



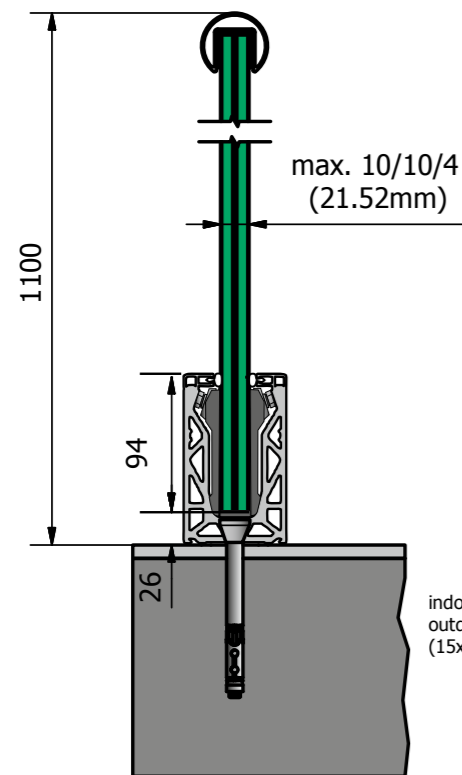


Glass-tec

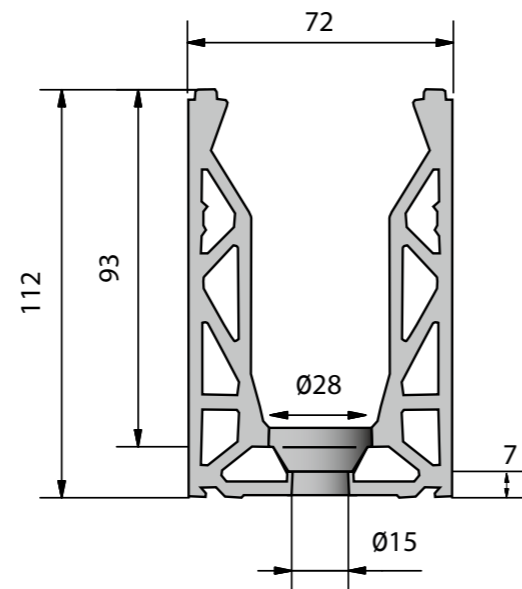
POSI-GLAZE | 1.5kN TOP MOUNT

- Slender, attractive design and low maintenance
- Fast and easy glass adjustment
- Extension pin ducts
- Can be clad both sides

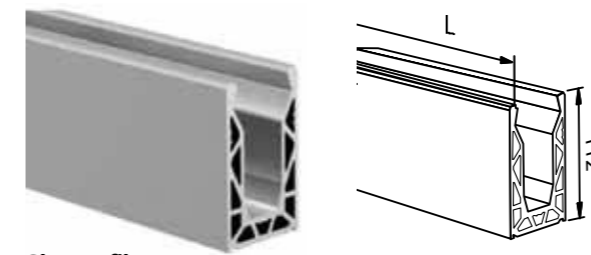
APPROVED according to **SANDBERG** BS6180



indoor: 91.3511.250.81
 outdoor: 91.3511.250.30
 (15x/3mtr)

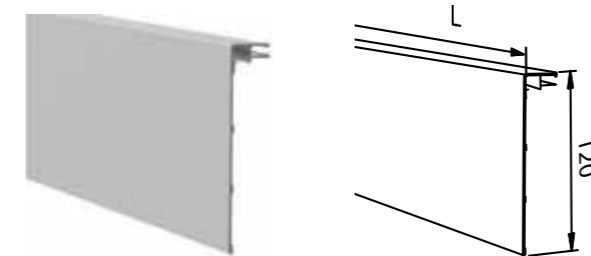


POSI-GLAZE | 1.5kN TOP MOUNT



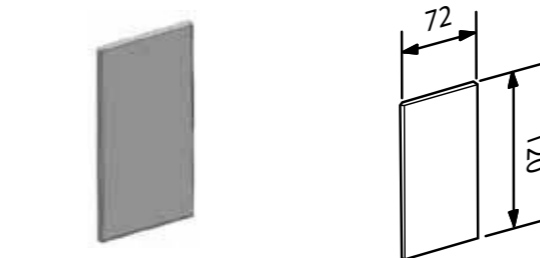
► Glass profile

Model:	Aluminium	Outdoor	E/PC
Code	L	☐	E/PC
PGC-010	3000	1	264.58



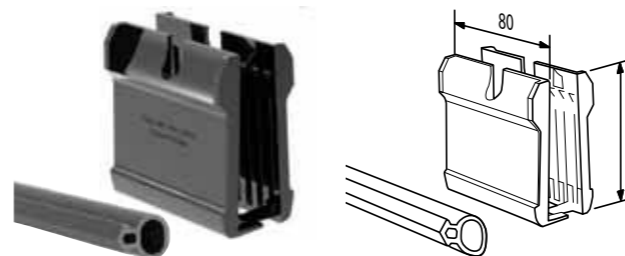
► Side cladding

Model:	Aluminium	Outdoor	E/PC
Code	L	☐	E/PC
PGA-010	3000	1	38.18



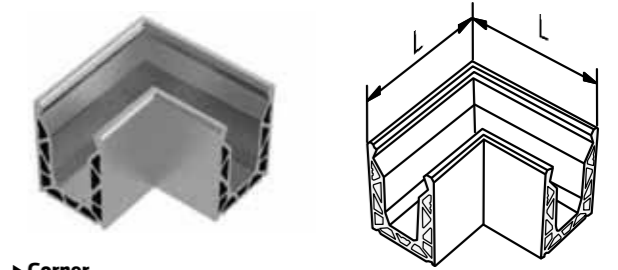
► End cap

Model:	Aluminium	Outdoor	E/PC
Code		☐	E/PC
PGA-060		1	2.73



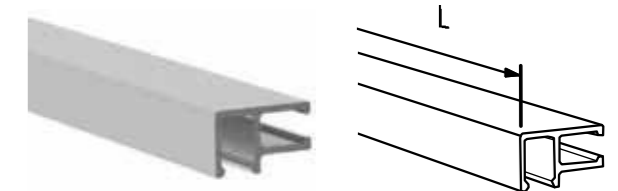
► Clamp kit

Model:	Colour	Glass	L	☐	E/PC
PGB-0012	●	12	3000	1	63.36
PGB-0013	●	13.52	3000	1	63.36
PGB-0015	●	15	3000	1	63.36
PGB-0017	●	17.52	3000	1	63.36
PGB-0019	●	19	3000	1	63.36
PGB-0021	●	21.52	3000	1	63.36



► Corner

Model:	Aluminium	Outdoor	E/PC
Code	L	☐	E/PC
PGA-090	136	1	84.50



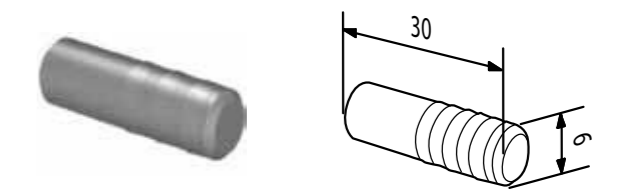
► Top seal strip (2 No. required as per drawing page 46)

Model:	Aluminium	Outdoor	E/PC
Code	L	☐	E/PC
PGA-030	3000	1	12.29



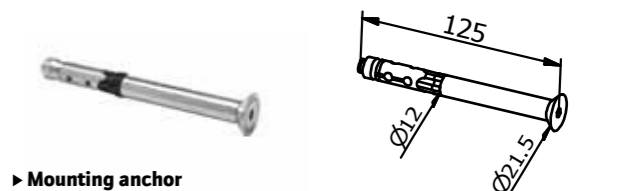
► Spanner

Model:	Steel	E/PC
Code		E/PC
PGA-050		1 4.55



► Extension pin

Model:	AISI 316	Outdoor	E/PC
Code		☐	E/PC
PGA-070		1	0.85



► Mounting anchor

Model:	3511	Zinc-plated	Indoor	E/PC
Code		Quantity per 3000mm	☐	E/PC
91.3511.250.81	15		25	124.90
Model:	3511	AISI 316	Outdoor	E/PC
Code		Quantity per 3000mm	☐	E/PC
91.3511.250.30	15		25	568.80

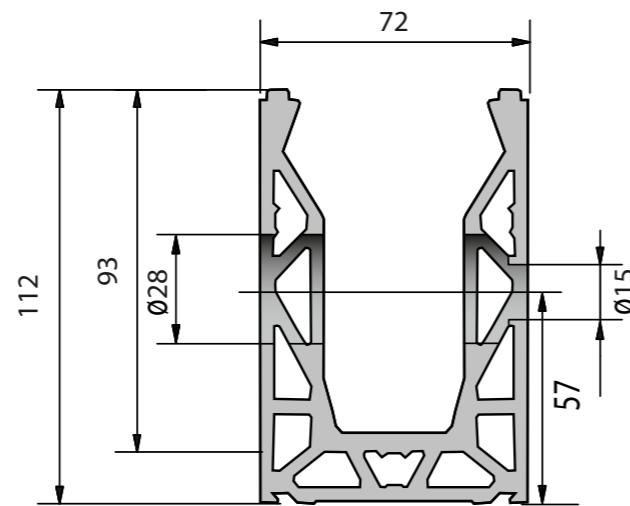
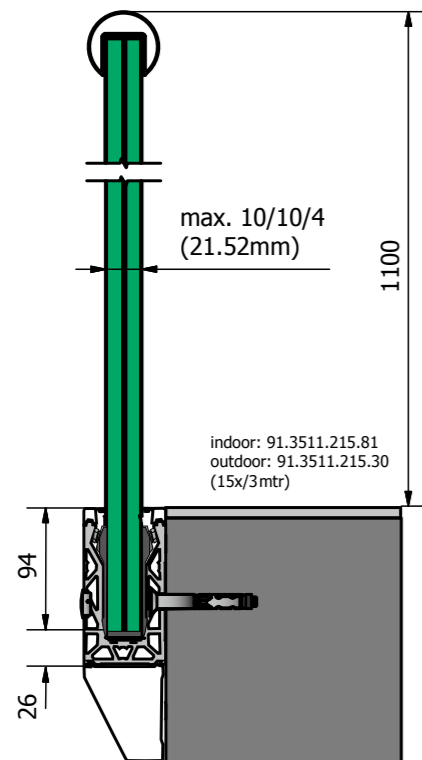


Glass-tec

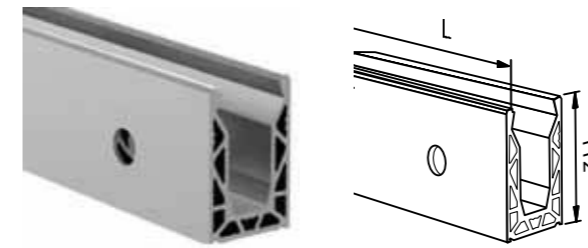
POSI-GLAZE | 0.74kN SIDE MOUNT

- Slender, attractive design and low maintenance
- Fast and easy glass adjustment
- Extension pin ducts
- Side and bottom cladding available

APPROVED according to **SANDBERG** BS6180

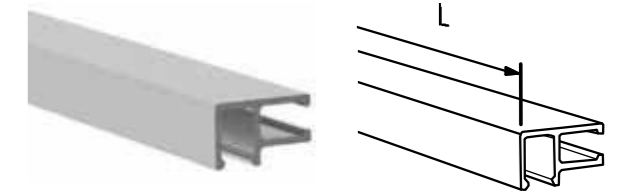


POSI-GLAZE | 0.74kN SIDE MOUNT



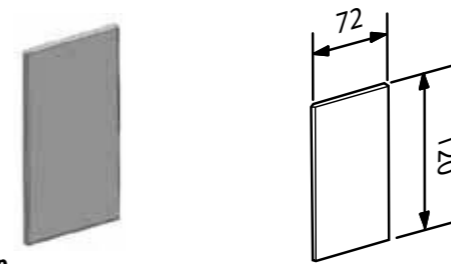
► Glass profile

Model:	Aluminium	Outdoor	
Code	L	☐	E/PC
PGC-020	3000	1	264.58



► Top seal strip

Model:	Aluminium	Outdoor	
Code	L	☐	E/PC
PGA-030	3000	1	12.29



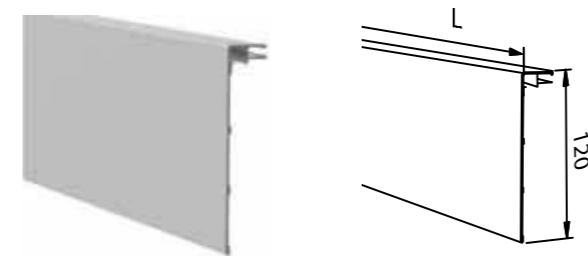
► End cap

Model:	Aluminium	Outdoor	
Code		☐	E/PC
PGA-061	One Side Cladding	1	2.73
PGA-062	Two Side Cladding	1	2.73



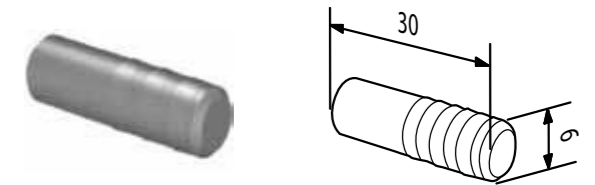
► Spanner

Model:	Steel		
Code		☐	E/PC
PGA-050		1	4.55



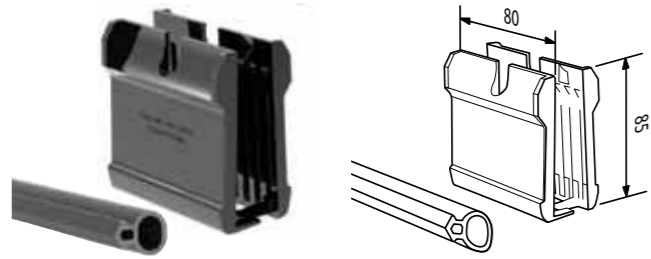
► Side cladding

Model:	Aluminium	Outdoor	
Code	L	☐	E/PC
PGA-010	3000	1	38.18



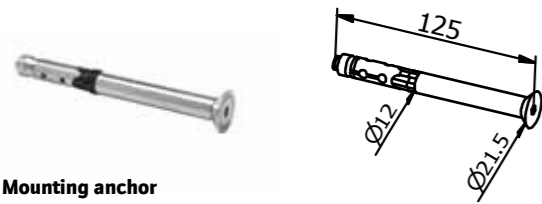
► Extension pin

Model:	AISI 316	Outdoor	
Code		☐	E/PC
PGA-070		1	0.85



► **Clamp kit**

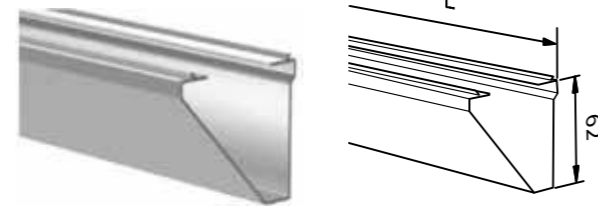
Model:					
Code	Colour	Glass	L	☐	E/PC
PGB-0012	○	12	3000	1	63.36
PGB-0013	○	13.5	3000	1	63.36
PGB-0015	○	15	3000	1	63.36
PGB-0017	○	17.5	3000	1	63.36
PGB-0019	○	19	3000	1	63.36
PGB-0021	○	21.5	3000	1	63.36



► **Mounting anchor**

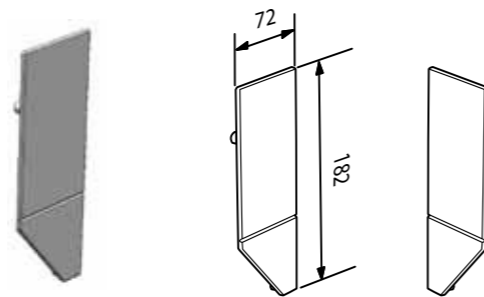
Model: 3511		Zinc-plated	Indoor	
Code	Quantity per 3000mm	☐	E/PC	
91.3511.250.81	15		25	124.90

Model: 3511		AISI 316	Outdoor	
Code	Quantity per 3000mm	☐	E/PC	
91.3511.250.30	15		25	568.80



► **Bottom cladding**

Model:		Aluminium	Outdoor	
Code	L	☐	E/PC	
PGA-020	3000		1	3115



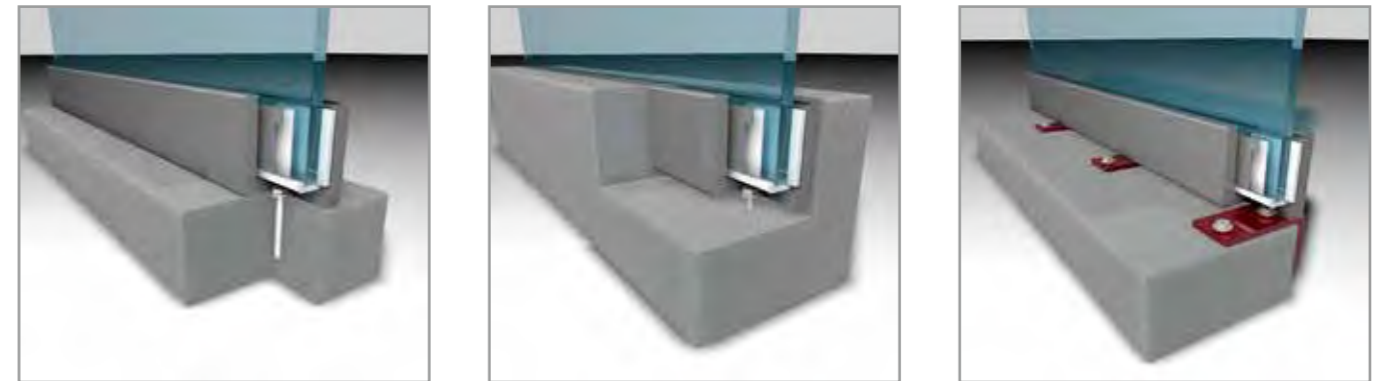
► **End cap**

Model:		Aluminium	Outdoor	
Code		☐	E/PC	
PGA-065R			1	3.64
PGA-065L			1	3.64



Need a 3kN system?
Then Origin Grip is for you!

Using 25mm glass Origin Grip meets 3kN loadings in a number of scenarios.



What's in the system



- 1 Aluminium shoe
- 2 Wedges (5 per metre)
- 3 Cladding both sides



Fitting is easy: Simply place the elements of the wedge kit in the channel when levelled. Then place the glass within the channel ensuring it's plumb. Finally place the wedge in the channel and lock into position.

Glass-tec DEMO BOXES/DISPLAYS



► Fix-fit exhibition display

Model: 9999	Aluminium	Outdoor		
Code	Model	Weight (KG)	⊞	£/PC
81.9999.100.11			1	On request



► Flex-Fit demo box

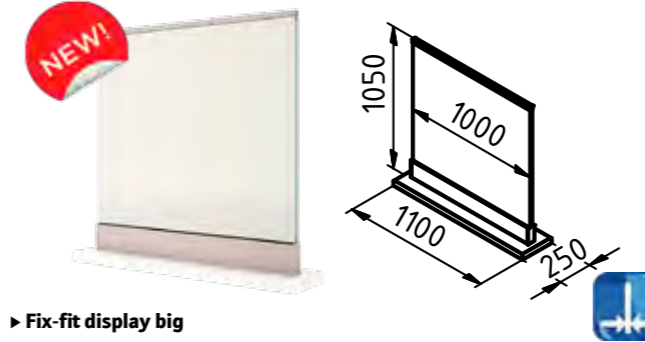
Model: 6010	Aluminium	Outdoor		
Code	Model	Weight (KG)	⊞	£/PC
81.6010.003.11	6010		1	55.45



► Flex-Fit exhibition display

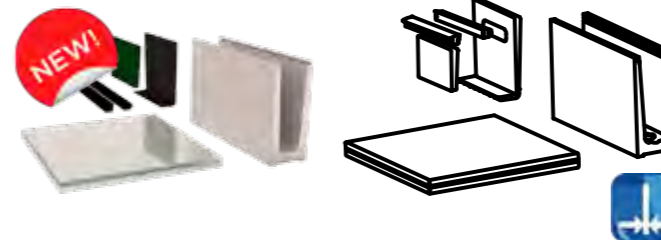
Model: 6010	Aluminium	Outdoor		
Code	Model	Weight (KG)	⊞	£/PC
81.6010.004.11	6010		1	On request

TRANS LEVEL | DEMO



► Fix-fit display big

Model: 3010/6010	Aluminium	Outdoor		
Code	Model	Weight (KG)	⊞	£/PC
81.3010.012.11	3010	75	1	660.95
81.6010.012.11	6010	75	1	660.95

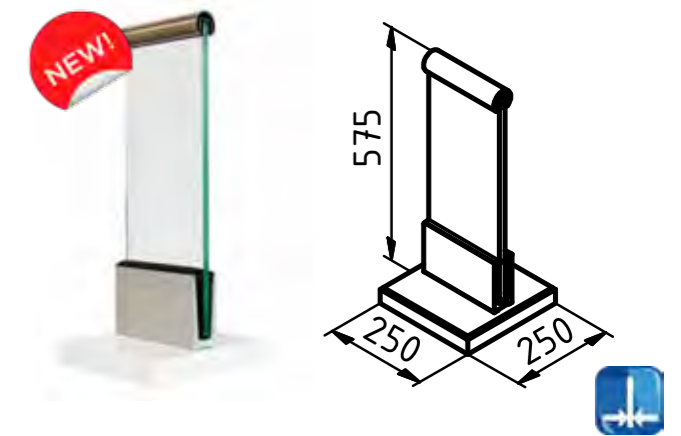


► Fix-fit demo box

Model: 2000	Wood	Outdoor		
Code	For	Weight (KG)	⊞	£/PC
81.2060.001.11	2060	2	1	51.20
81.2080.001.11	2080	3	1	59.70
81.3010.001.11	3010	2	1	51.20
81.3011.001.11	3011	2	1	51.20
81.3030.001.11	3030	3	1	59.70
81.3031.001.11	3031	3	1	59.70
81.5010.001.11	5010	2	1	51.20
81.6010.001.11	6010	2	1	51.20
81.6011.001.11	6011	2	1	51.20
81.6030.001.11	6030	3	1	59.70
81.6031.001.11	6031	3	1	59.70
PGS-010	POSI-GLAZE TOP	2	1	34.60
PGS-020	POSI-GLAZE SIDE	2	1	34.60

► Transport crate

Model: 6010	Aluminium	Outdoor		
Code	Model	Weight (KG)	⊞	£/PC
71.2000.000.01	Fix-Fit Display 1x		1	187.00
71.2000.000.02	Fix-Fit Display 9x		1	507.00
71.2000.000.03	Fix-Fit Display Big 1x		1	640.00



► Fix-fit display

Model: 1011/1031/2060/2080/3010/3011/3030/3031/5010/6010/6011/6030/6031	Aluminium	Outdoor		
Code	Model	Weight (KG)	⊞	£/PC
81.1011.002.11	1011	6	1	147.15
81.1031.002.11	1031	8	1	172.70
81.2060.002.11	2060	6	1	147.15
81.2080.002.11	2080	8	1	172.70
81.3010.002.11	3010	6	1	147.15
81.3011.002.11	3011	6	1	147.15
81.3030.002.11	3030	8	1	172.70
81.3031.002.11	3031	8	1	172.70
81.5010.002.11	5010	6	1	147.15
81.6010.002.11	6010	6	1	147.15
81.6011.002.11	6011	6	1	147.15
81.6030.002.11	6030	8	1	172.70
81.6031.002.11	6031	8	1	172.70



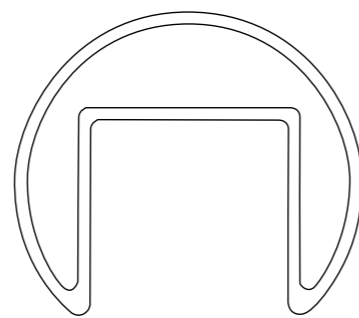
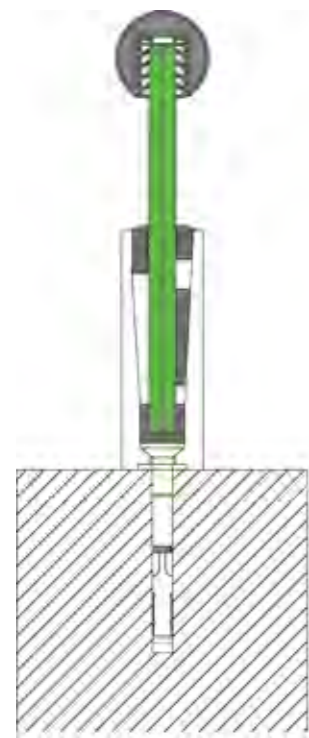
► Flex-Fit demo with tool

Model: 6010	Aluminium	Outdoor		
Code	Model	Weight (KG)	⊞	£/PC
81.6010.005.11	6010	5	1	154.60

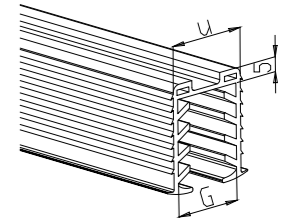
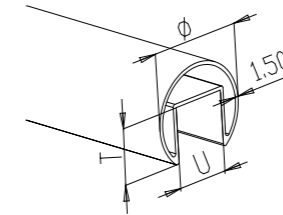


Glass-tec HANDRAIL/FITTINGS

- Available in 304 stainless steel (interior use) and 316 stainless steel (exterior use)
- Satin polish or mirror polish available

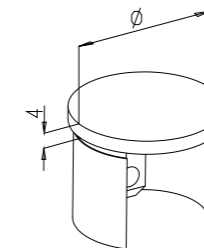


HANDRAIL / FITTINGS



► Handrail

Model: 7000/7100	AISI 304		Indoor			
Code	L	Ø	T	U	☐	£/PC
34.7000.420.S	5000	42.4	24	24	1	137.28
34.7000.480.S	5000	48.3	30	27	1	151.22
34.7000.600.S	5000	60.3	34	34	1	203.06
34.7100.420.S	2500	42.4	24	24	1	68.64
34.7100.480.S	2500	48.3	30	27	1	75.62
34.7100.600.S	2500	60.3	34	34	1	101.53
Model: 7000/7100	AISI 316		Outdoor			
Code	L	Ø	T	U	☐	£/PC
36.7000.420.S	5000	42.4	24	24	1	181.97
36.7000.480.S	5000	48.3	30	27	1	206.28
36.7100.420.S	2500	42.4	24	24	1	90.99
36.7100.480.S	2500	48.3	30	27	1	103.15

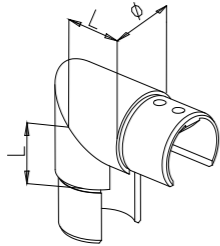


► End cap

Model: 7070	AISI 304		Outdoor	
Code	Ø	☐	£/PC	
34.7070.420.S	42.4	1	7.79	
34.7070.480.S	48.3	1	8.79	
34.7070.600.S	60.3	1	12.08	
Model: 7070	AISI 316		Outdoor	
Code	Ø	☐	£/PC	
36.7070.420.S	42.4	1	8.94	
36.7070.480.S	48.3	1	10.30	

► Rubber set

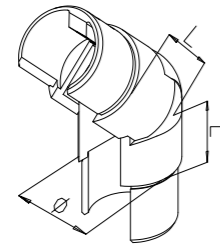
Model: 7042-42.4mm	Rubber		Outdoor		
Code	L	U	G	☐	£/PC
40.7042.010.R	5000	24	8-11	1	33.75
40.7042.012.R	5000	24	11.5-14.5	1	33.75
40.7042.015.R	5000	24	15-17	1	33.75
40.7042.019.R	5000	24	17.5-19	1	33.75
40.7142.010.R	2500	24	8-11	1	18.28
40.7142.012.R	2500	24	11.5-14.5	1	18.28
40.7142.015.R	2500	24	15-17	1	18.28
40.7142.019.R	2500	24	17.5-19	1	18.28
Model: 7048-48.3mm	Rubber		Outdoor		
Code	L	U	G	☐	£/PC
40.7048.012.R	5000	27	12-14.5	1	33.75
40.7048.015.R	5000	27	15-17.5	1	33.75
40.7048.019.R	5000	27	18-19.5	1	33.75
40.7048.020.R	5000	27	20-21.5	1	33.75
40.7148.012.R	2500	27	12-14.5	1	18.28
40.7148.015.R	2500	27	15-17.5	1	18.28
40.7148.019.R	2500	27	18-19.5	1	18.28
40.7148.020.R	2500	27	20-21.5	1	18.28
Model: 7060-60.3mm	Rubber		Outdoor		
Code	L	U	G	☐	£/PC
40.7060.015.R	5000	34	15-18	1	33.75
40.7060.019.R	5000	34	18.5-21.5	1	33.75
40.7060.020.R	5000	34	22-25	1	33.75
40.7060.015.R	2500	34	15-18	1	18.28
40.7060.019.R	2500	34	18.5-21.5	1	18.28
40.7060.020.R	2500	34	22-25	1	18.28



► Elbow

Model: 7010	AISI 304	Indoor			
Code	L	∅	☐	E/PC	
34.7010.420.S	30	42.4	1	24.17	
34.7010.480.S	35	48.3	1	29.67	
34.7010.600.S	40	60.3	1	38.25	

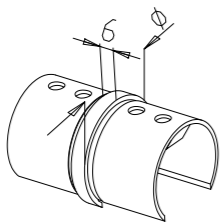
Model: 7010	AISI 316	Outdoor			
Code	L	∅	☐	E/PC	
36.7010.420.S	30	42.4	1	26.88	
36.7010.480.S	35	48.3	1	32.96	



► Adjustable elbow

Model: 7030	AISI 304	Indoor			
Code	L	∅	☐	E/PC	
34.7030.420.S	30	42.4	1	35.46	
34.7030.480.S	35	48.3	1	40.83	

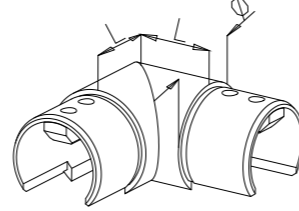
Model: 7030	AISI 316	Outdoor			
Code	L	∅	☐	E/PC	
36.7030.420.S	30	42.4	1	53.20	
36.7030.480.S	35	48.3	1	61.35	



► Joint connector

Model: 7050	AISI 304	Indoor			
Code	∅	☐	E/PC		
34.7050.420.S	42.4	1	10.22		
34.7050.480.S	48.3	1	11.58		
34.7050.600.S	60.3	1	14.23		

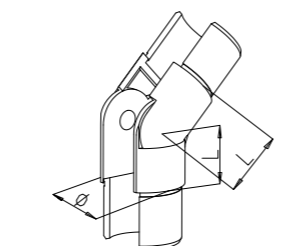
Model: 7050	AISI 316	Outdoor			
Code	∅	☐	E/PC		
36.7050.420.S	42.4	1	11.73		
36.7050.480.S	48.3	1	13.08		



► Elbow

Model: 7020	AISI 304	Indoor			
Code	L	∅	☐	E/PC	
34.7020.420.S	30	42.4	1	24.17	
34.7020.480.S	35	48.3	1	29.67	
34.7020.600.S	40	60.3	1	38.25	

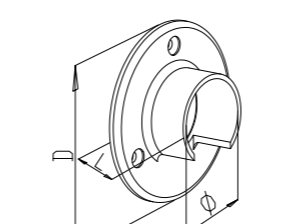
Model: 7020	AISI 316	Outdoor			
Code	L	∅	☐	E/PC	
36.7020.420.S	30	42.4	1	26.88	
36.7020.480.S	35	48.3	1	32.96	



► Adjustable elbow

Model: 7040	AISI 304	Indoor			
Code	L	∅	☐	E/PC	
34.7040.420.S	30	42.4	1	35.46	
34.7040.480.S	35	48.3	1	40.83	

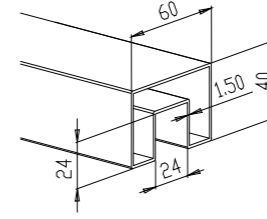
Model: 7040	AISI 316	Outdoor			
Code	L	∅	☐	E/PC	
36.7040.420.S	30	42.4	1	53.20	
36.7040.480.S	35	48.3	1	61.35	



► Wall flange

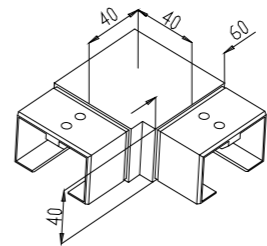
Model: 7060	AISI 304	Indoor			
Code	D	L	∅	☐	E/PC
34.7060.420.S	90	30	42.4	1	11.01
34.7060.480.S	95	35	48.3	1	13.16

Model: 7060	AISI 316	Indoor			
Code	D	L	∅	☐	E/PC
36.7060.420.S	90	30	42.4	1	13.80
36.7060.480.S	95	35	48.3	1	16.52



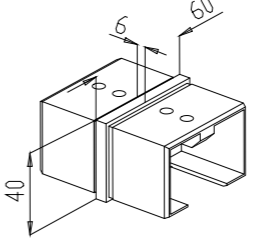
► Handrail

Model: 7000/7100	AISI 304	Indoor		
Code	L	☐	E/PC	
34.7000.604.S	5000	1	265.27	
34.7100.604.S	2500	1	132.63	



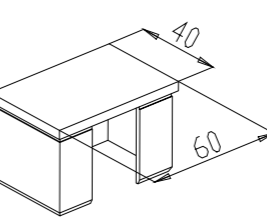
► Elbow

Model: 7020	AISI 304	Indoor		
Code	☐	E/PC		
34.7020.604.S	1	35.48		



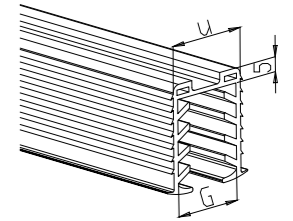
► Joint connector

Model: 7050	AISI 304	Indoor		
Code	☐	E/PC		
34.7050.604.S	1	12.23		



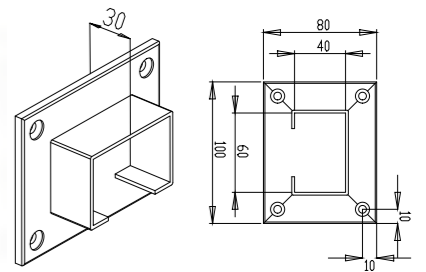
► End cap

Model: 7070	AISI 304	Indoor		
Code	☐	E/PC		
34.7070.604.S	1	11.73		



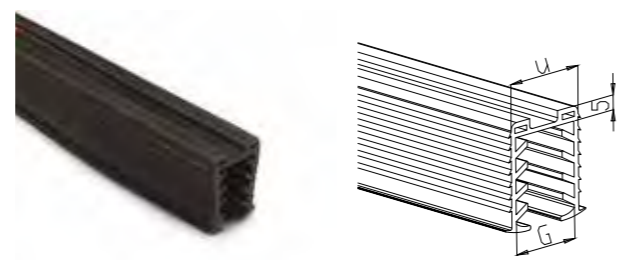
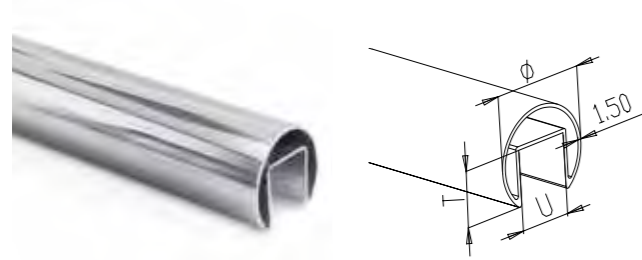
► Rubber set

Model: 7042-42.4mm	Rubber	Outdoor			
Code	L	U	G	☐	E/PC
40.7042.010.R	5000	24	8-11	1	33.75
40.7042.012.R	5000	24	11.5-14.5	1	33.75
40.7042.015.R	5000	24	15-17	1	33.75
40.7042.019.R	5000	24	17.5-19	1	33.75
40.7142.010.R	2500	24	8-11	1	18.28
40.7142.012.R	2500	24	11.5-14.5	1	18.28
40.7142.015.R	2500	24	15-17	1	18.28
40.7142.019.R	2500	24	17.5-19	1	18.28



► Wall flange

Model: 7060	AISI 304	Indoor		
Code	☐	E/PC		
34.7060.604.S	1	19.62		



► Handrail

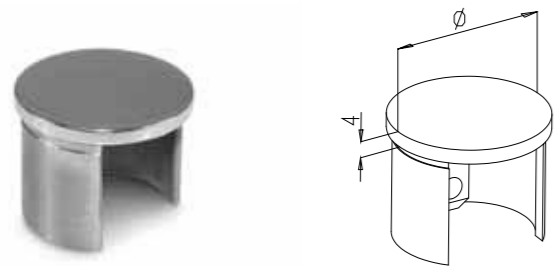
Model: 7000		AISI 304		Indoor		
Code	L	∅	T	U	☐	€/PC
34.7000.420.M	5000	42.4	24	24	1	178.92
34.7000.480.M	5000	48.3	30	27	1	196.44

Model: 7000		AISI 316		Outdoor		
Code	L	∅	T	U	☐	€/PC
36.7000.420.M	5000	42.4	24	24	1	237.74
36.7000.480.M	5000	48.3	30	27	1	268.51

► Rubber set

Model: 7042-42.4mm		Rubber		Outdoor		
Code	L	U	G	☐	€/PC	
40.7042.010.R	5000	24	8-11	1	33.75	
40.7042.012.R	5000	24	11.5-14.5	1	33.75	
40.7042.015.R	5000	24	15-17	1	33.75	
40.7042.019.R	5000	24	17.5-19	1	33.75	

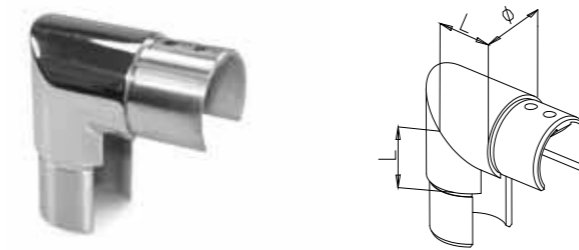
Model: 7048-48.3mm		Rubber		Outdoor		
Code	L	U	G	☐	€/PC	
40.7048.012.R	5000	27	12-14.5	1	33.75	
40.7048.015.R	5000	27	15-17.5	1	33.75	
40.7048.019.R	5000	27	18-19.5	1	33.75	
40.7048.020.R	5000	27	20-21.5	1	33.75	



► End cap

Model: 7070		AISI 304		Indoor	
Code	∅	☐	€/PC		
34.7070.420.M	42.4	1	9.55		
34.7070.480.M	48.3	1	10.75		

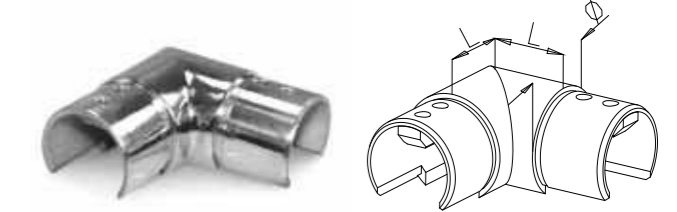
Model: 7070		AISI 316		Outdoor	
Code	∅	☐	€/PC		
36.7070.420.M	42.4	1	10.73		
36.7070.480.M	48.3	1	12.44		



► Elbow

Model: 7010		AISI 304		Indoor	
Code	L	∅	☐	€/PC	
34.7010.420.M	30	42.4	1	29.17	
34.7010.480.M	35	48.3	1	35.68	

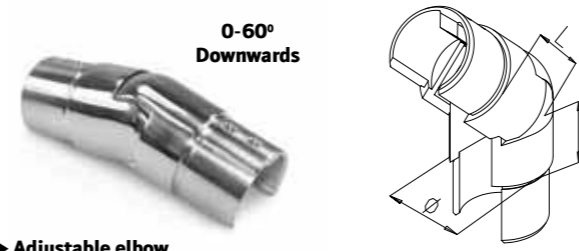
Model: 7010		AISI 316		Outdoor	
Code	L	∅	☐	€/PC	
36.7010.420.M	30	42.4	1	32.25	
36.7010.480.M	35	48.3	1	39.68	



► Elbow

Model: 7020		AISI 304		Indoor	
Code	L	∅	☐	€/PC	
34.7020.420.M	30	42.4	1	29.24	
34.7020.480.M	35	48.3	1	35.68	

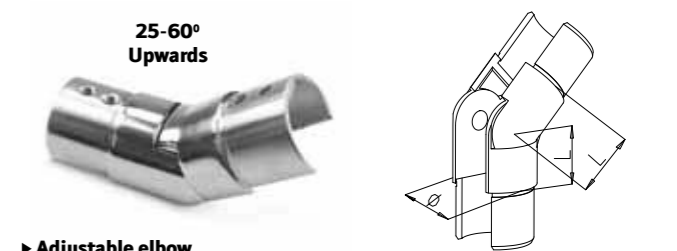
Model: 7020		AISI 316		Outdoor	
Code	L	∅	☐	€/PC	
36.7020.420.M	30	42.4	1	32.25	
36.7020.480.M	35	48.3	1	39.68	



► Adjustable elbow

Model: 7030		AISI 304		Indoor	
Code	L	∅	☐	€/PC	
34.7030.420.M	30	42.4	1	42.61	
34.7030.480.M	35	48.3	1	49.19	

Model: 7030		AISI 316		Outdoor	
Code	L	∅	☐	€/PC	
36.7030.420.M	30	42.4	1	53.20	
36.7030.480.M	35	48.3	1	61.35	



► Adjustable elbow

Model: 7040		AISI 304		Indoor	
Code	L	∅	☐	€/PC	
34.7040.420.M	30	42.4	1	42.61	
34.7040.480.M	35	48.3	1	49.19	

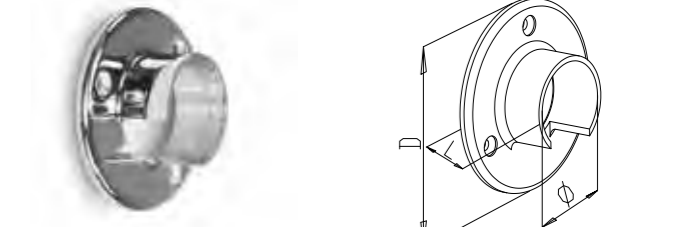
Model: 7040		AISI 316		Outdoor	
Code	L	∅	☐	€/PC	
36.7040.420.M	30	42.4	1	53.20	
36.7040.480.M	35	48.3	1	61.35	



► Joint connector

Model: 7050		AISI 304		Indoor	
Code	∅	☐	€/PC		
34.7050.420.M	42.4	1	12.30		
34.7050.480.M	48.3	1	13.73		

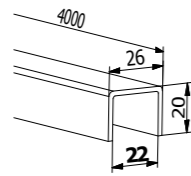
Model: 7050		AISI 316		Outdoor	
Code	∅	☐	€/PC		
36.7050.420.M	42.4	1	14.09		
36.7050.480.M	48.3	1	15.73		



► Wall flange

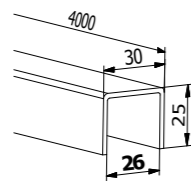
Model: 7060		AISI 304		Indoor	
Code	D	L	∅	☐	€/PC
34.7060.420.M	90	30	42.4	1	13.59
34.7060.480.M	95	35	48.3	1	15.87

Model: 7060		AISI 316		Outdoor	
Code	D	L	∅	☐	€/PC
36.7060.420.M	90	30	42.4	1	16.59
36.7060.480.M	95	35	48.3	1	19.88



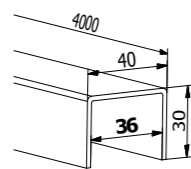
► Handrail U-profile

Model: 2114	AISI 304	Indoor	Code	E/PC
12.2114.262.21		1		78.05
Model: 2114	AISI 316	Outdoor	Code	E/PC
12.2114.262.31		1		111.90



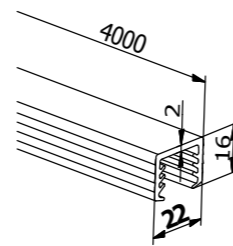
► Handrail U-profile

Model: 2114	AISI 304	Indoor	Code	E/PC
12.2114.302.21		1		98.30
Model: 2114	AISI 316	Outdoor	Code	E/PC
12.2114.302.31		1		130.80



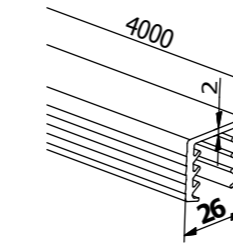
► Handrail U-profile

Model: 2114	AISI 304	Indoor	Code	E/PC
12.2114.402.21		1		216.85
Model: 2114	AISI 316	Outdoor	Code	E/PC
12.2114.402.31		1		248.30



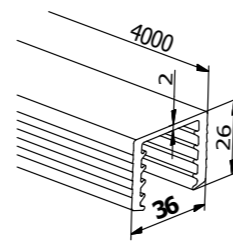
► Handrail rubber

Model: 6526	Rubber	Outdoor	Code	Thickness	E/PC
90.6526.008.60	8-11	1			28.50
90.6526.011.60	11.5-13.5	1			28.50
90.6526.015.60	15	1			28.50
90.6526.016.60	16-17.5	1			28.50



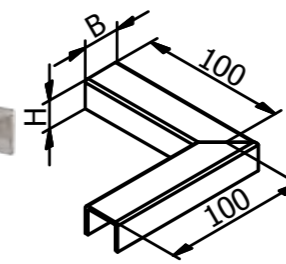
► Handrail rubber

Model: 6530	Rubber	Outdoor	Code	Thickness	E/PC
90.6530.008.60	8-11	1			28.50
90.6530.011.60	11.5-13.5	1			28.50
90.6530.015.60	15	1			28.50
90.6530.016.60	16-17.5	1			28.50
90.6530.019.60	19	1			28.50
90.6530.020.60	20-21.5	1			28.50



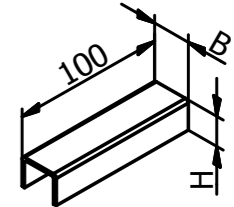
► Handrail rubber

Model: 6540	Rubber	Outdoor	Code	Thickness	E/PC
90.6540.020.60	20.5-21.5	1			32.80
90.6540.024.60	24.5-25.5	1			32.80
90.6540.030.60	30.5-31.5	1			32.80



► Corner connector U-Profile

Model: 2210	AISI 304	Indoor	Code	U	E/PC
12.2210.262.21	26x20	1			45.05
12.2210.302.21	30x25	1			45.85
12.2210.402.21	40x30	1			52.70
Model: 2210	AISI 316	Outdoor	Code	U	E/PC
12.2210.262.31	26x20	1			58.80
12.2210.302.31	30x25	1			62.65
12.2210.402.31	40x30	1			66.70



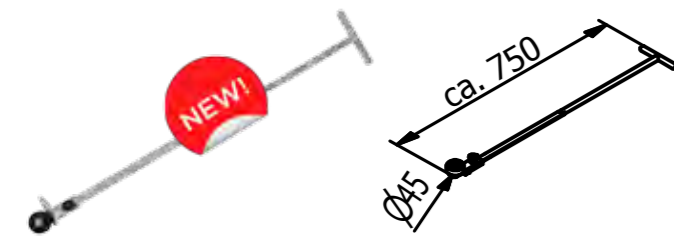
► End cap U-Profile

Model: 2300	AISI 304	Indoor	Code	U	E/PC
12.2300.262.21	26x20	1			21.50
12.2300.302.21	30x25	1			26.15
12.2300.402.21	40x30	1			34.85
Model: 2116	AISI 316	Outdoor	Code	U	E/PC
12.2300.262.31	26x20	1			27.00
12.2300.302.31	30x25	1			36.55
12.2300.402.31	40x30	1			44.20



Glass-tec ACCESSORIES

- Improve installation times
- Improve finish and appearance
- Ideal handover cleaning kits



► OnLevel combitool

Model: 0100	AISI 304			
Code		📦	£/PC	
90.0100.100.00		1	134.10	



► Flex-Fit tool

Model: 0110	AISI 304			
Code		📦	£/PC	
90.0101.100.00		1	30.70	

ACCESSORIES |



► Glue

Model: 9010				
Code		📦	£/PC	
10.9010.000.A	50 ml	1	24.10	



► Stain remover

Model: 9030				
Code		📦	£/PC	
10.9030.000.A	500 ml	1	28.53	



► Stainless steel cleaner

Model: 9020				
Code		📦	£/PC	
10.9020.000.A	500 ml	1	12.80	



► Glass cleaner

Model: 9025				
Code		📦	£/PC	
10.9025.000.A	500 ml	1	9.94	



► Stainless steel & glass cleaner kit

Model: 9027				
Code		📦	£/PC	
10.9027.000.A	500 ml	1	17.05	



► 'C' Spanner

Model: 9200				
Code	Ø	📦	£/PC	
10.9200.025.T	25-28	1	10.94	
10.9200.030.T	30-32	1	11.94	
10.9200.045.T	45-50	1	15.09	
10.9200.058.T	58-62	1	20.59	
10.9200.080.T	75-80	1	32.35	



► Allen key set

Model: 9300	Zinc-plated			
Code	Ø	📦	£/PC	
10.9300.000.T	1.5. 2.0. 2.5. 3.0. 4.0. 5.0. 6.0. 8.0	1	7.08	



Installation Instructions

- TRANS LEVEL 60
- TRANS LEVEL 30
- TRANS LEVEL 50
- POSI-GLAZE



INSTALLATION INSTRUCTIONS

BY INSTALLERS, FOR INSTALLERS

The OnLevel specialists have years of experience assembling glass balustrades. We know what requirements an installation must meet and what the easiest assembly method is. Thanks to our daily practical experience, we know exactly which problems you can come across. This practical knowledge forms the basis for the continuous innovation of our products.

Flex-Fit

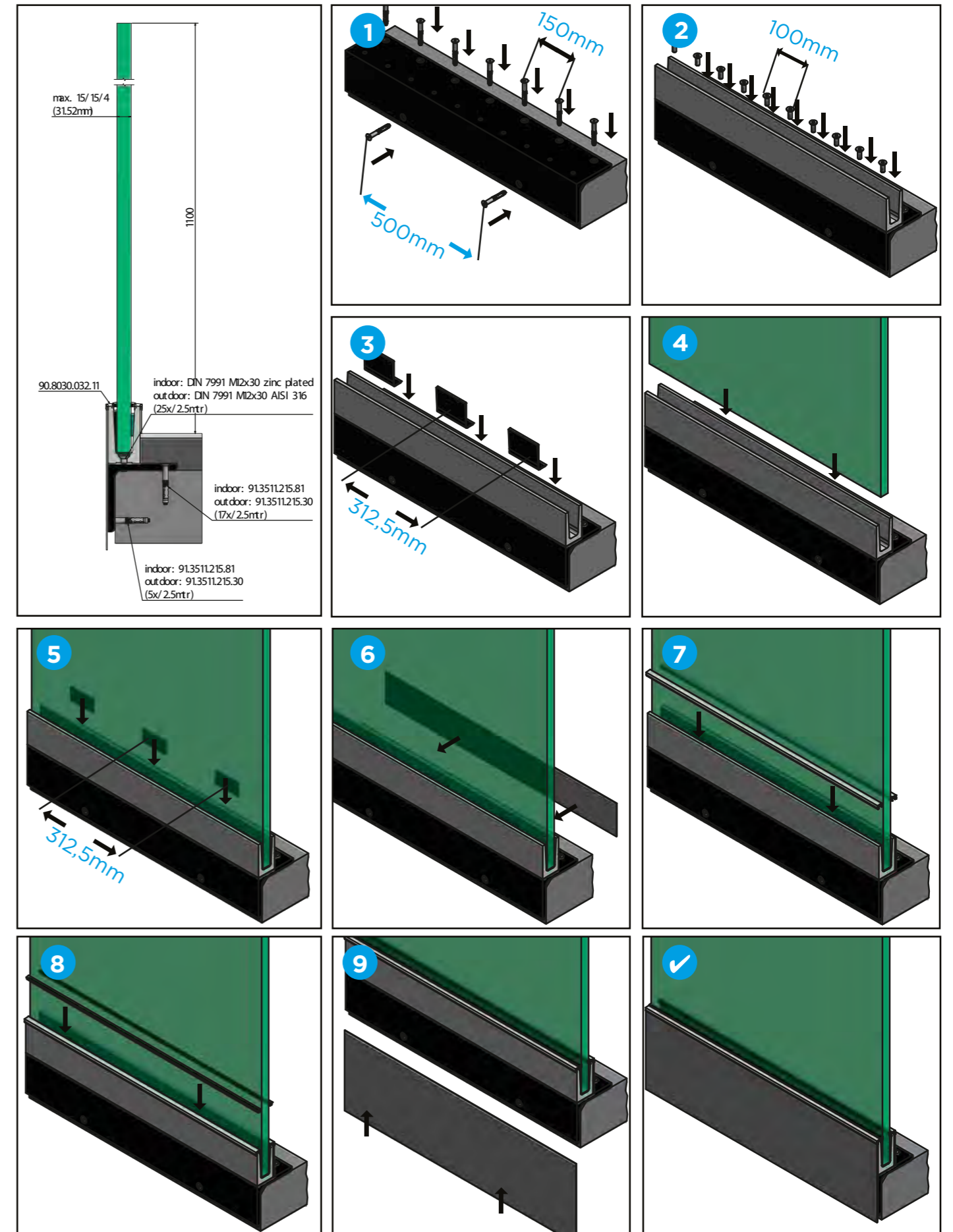
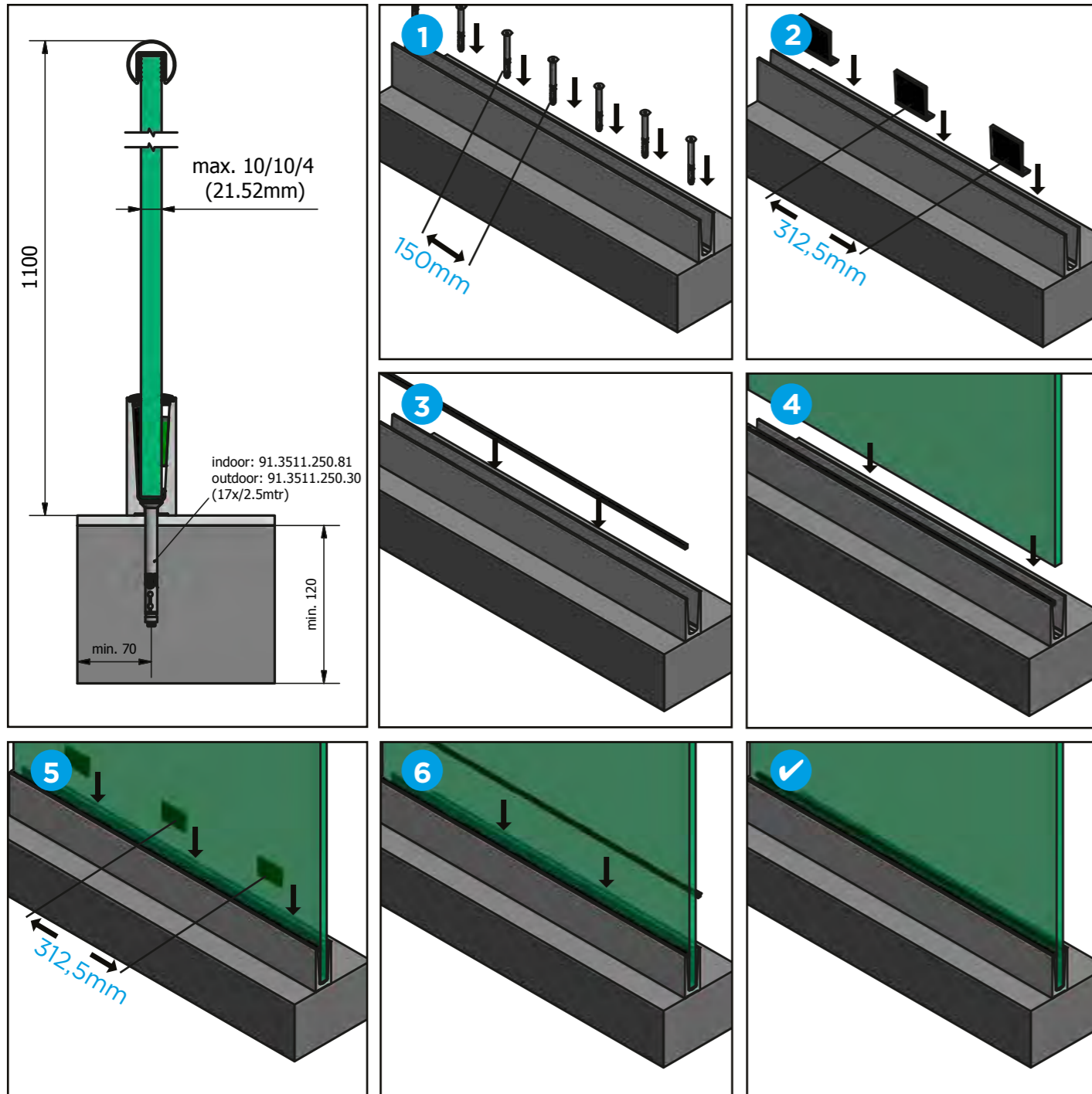


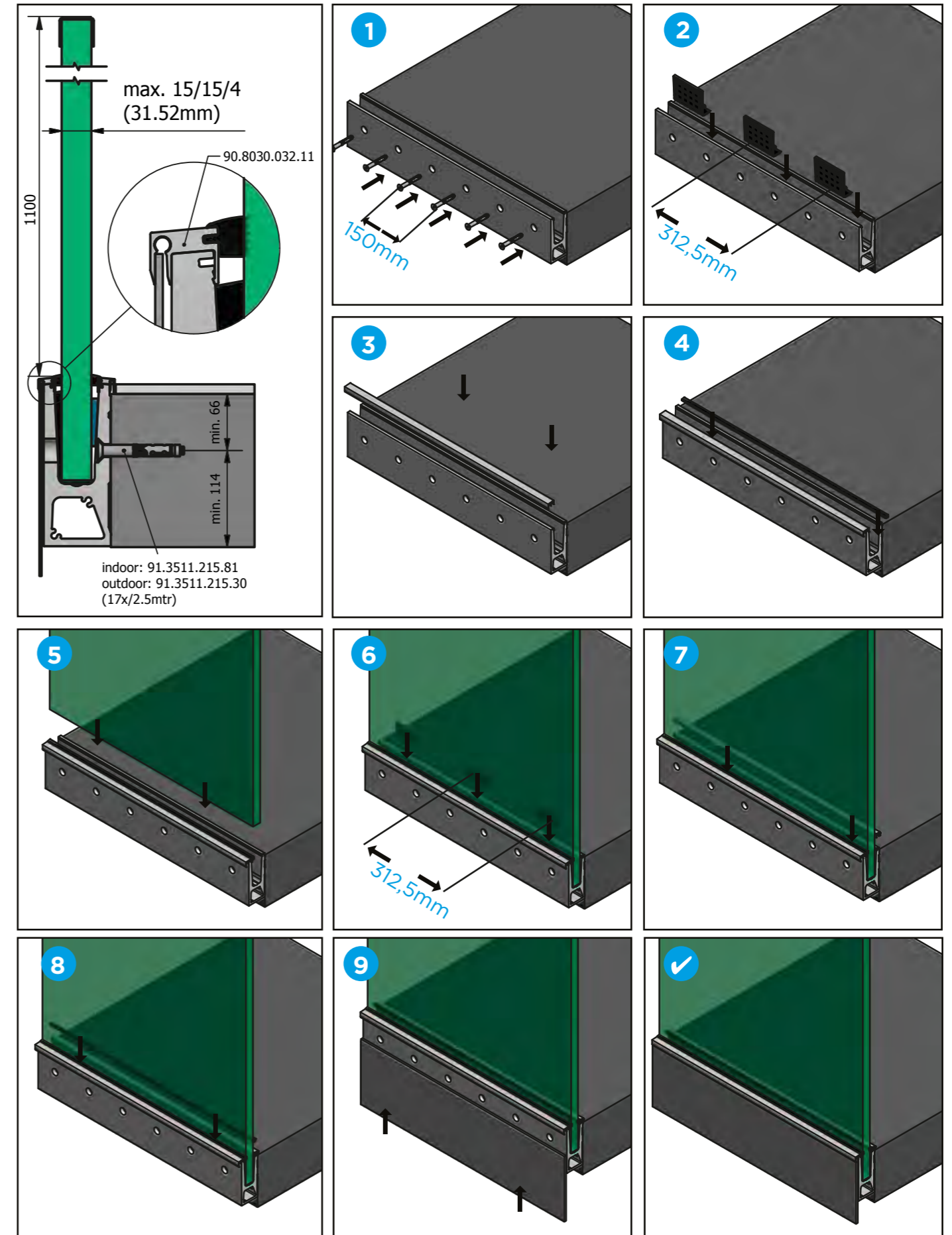
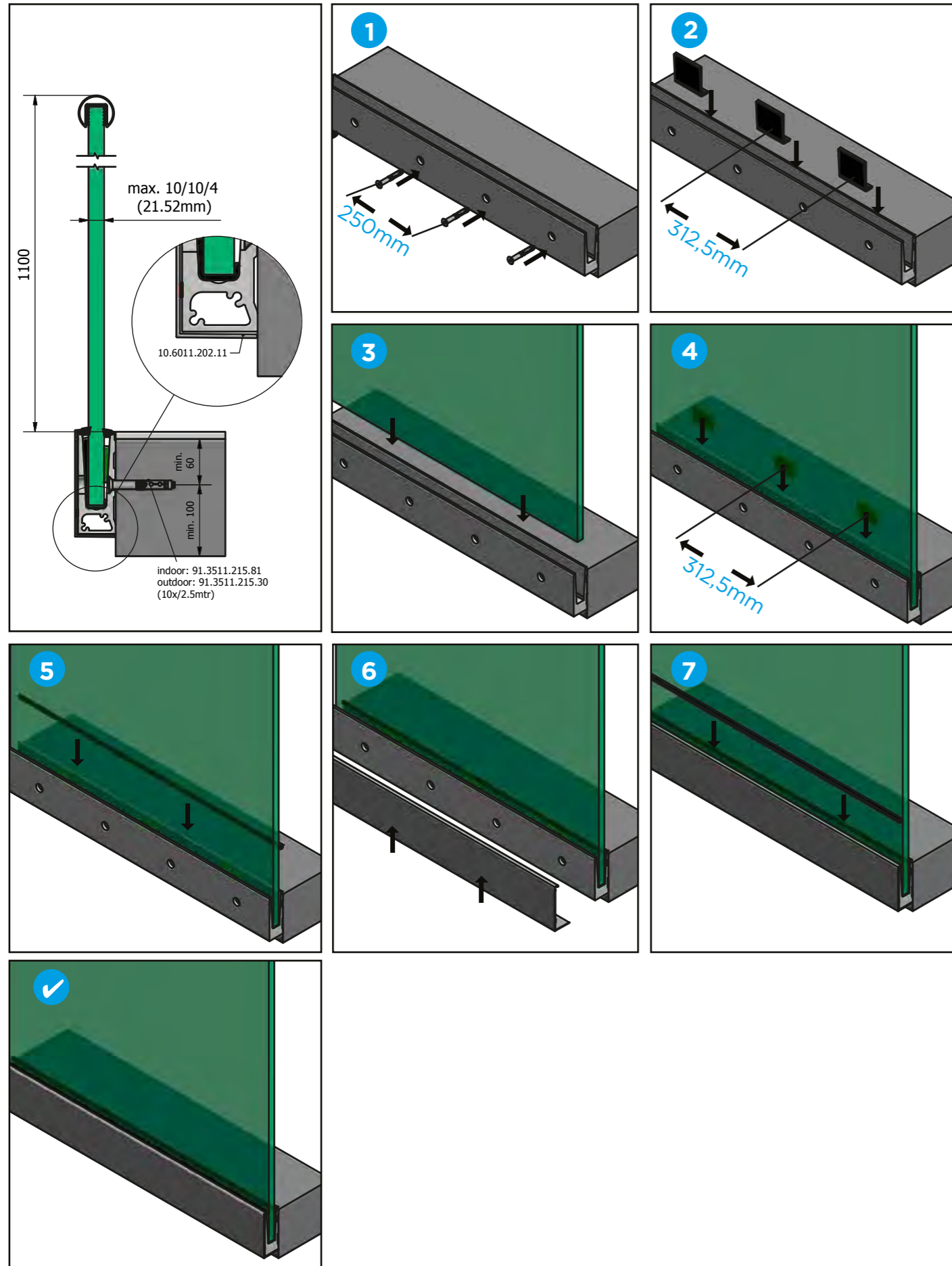
Making Life Easier

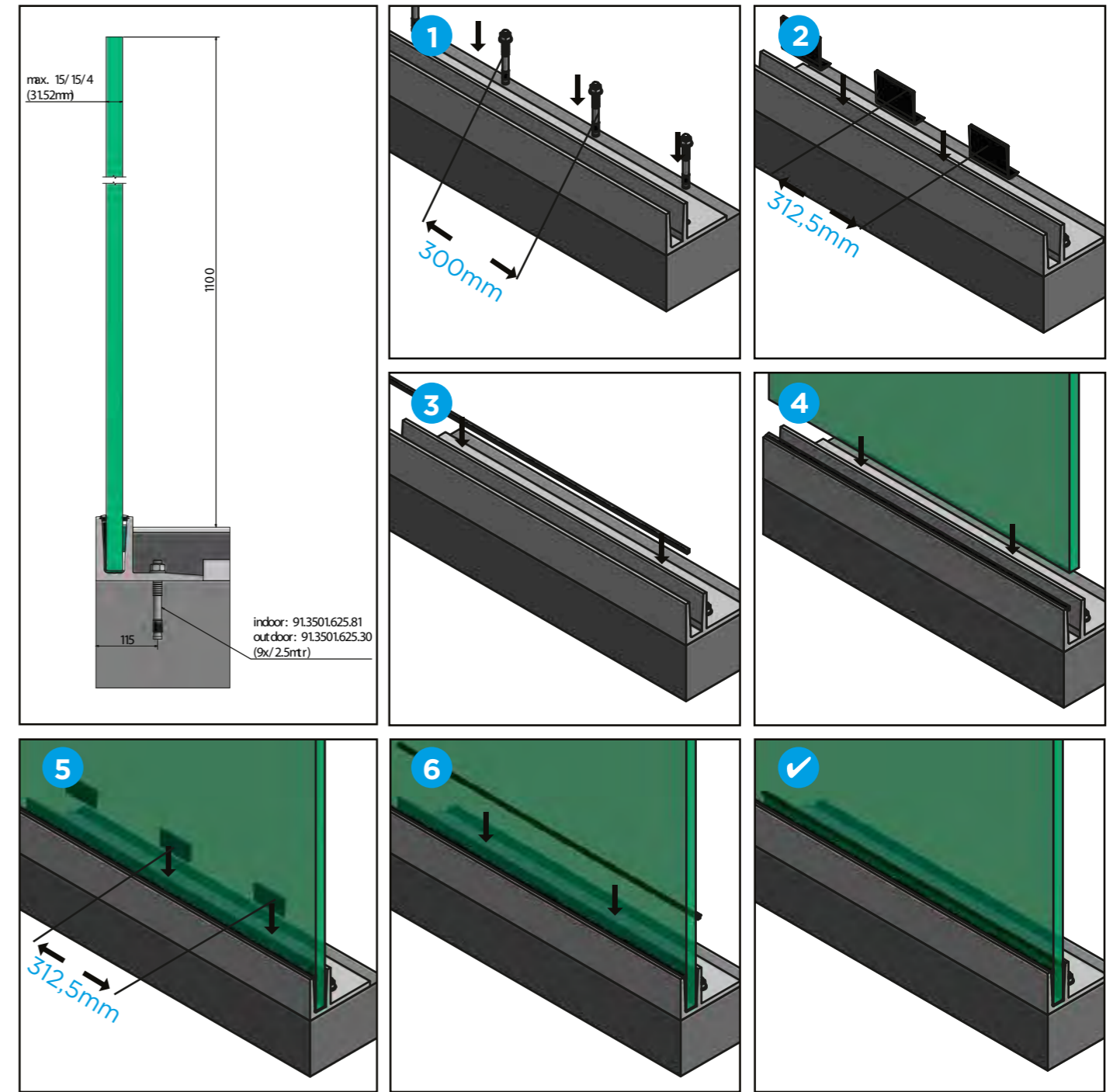
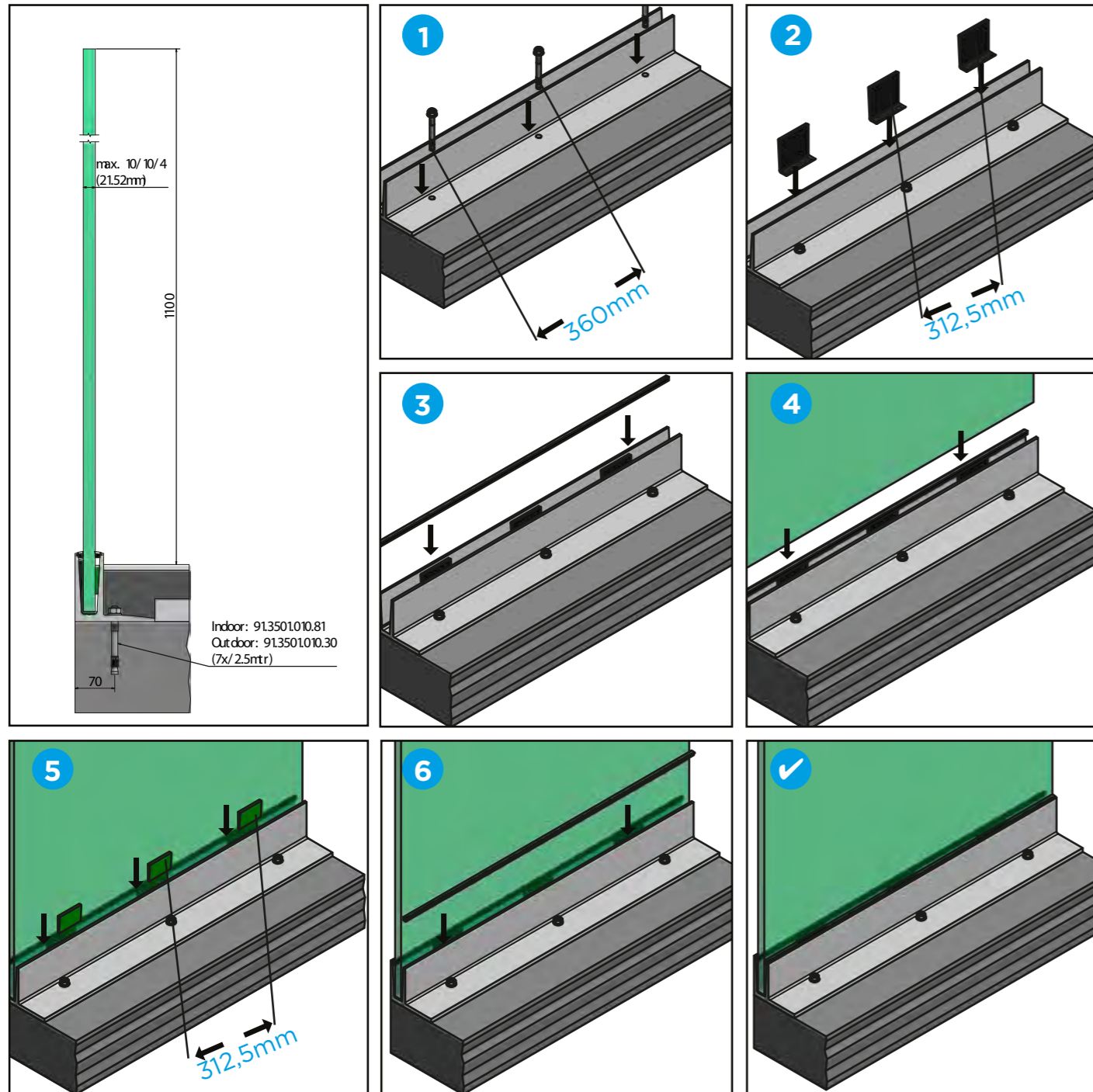
OnLevel Flex-Fit is the solution for perfect, fast and safe alignment of glass balustrades. With just a simple sliding movement you position the glass with a precision of up to 40 mm and reduce the assembly time by some 30%. Optionally, Flex-Fit can be used with all existing Trans Level profiles.

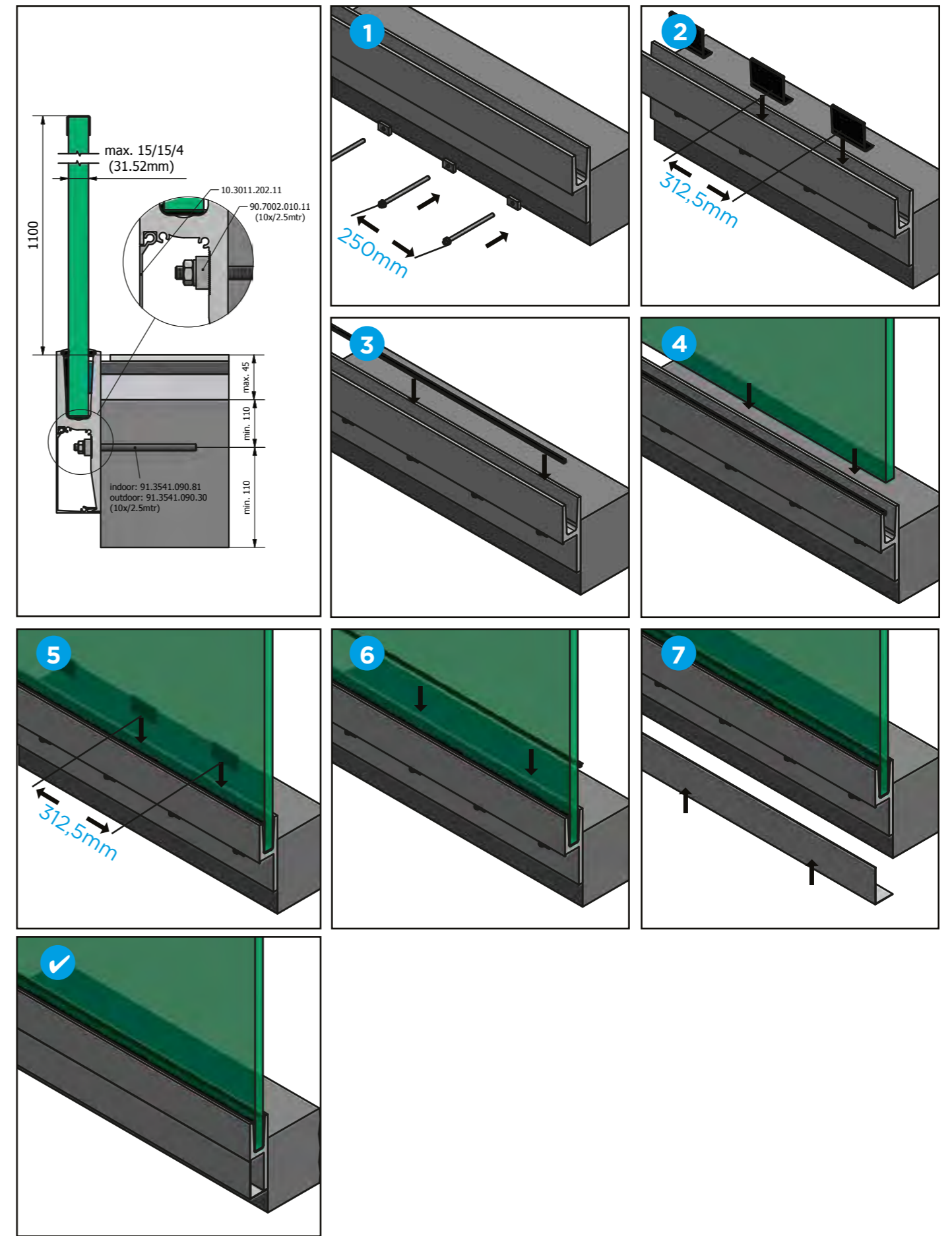
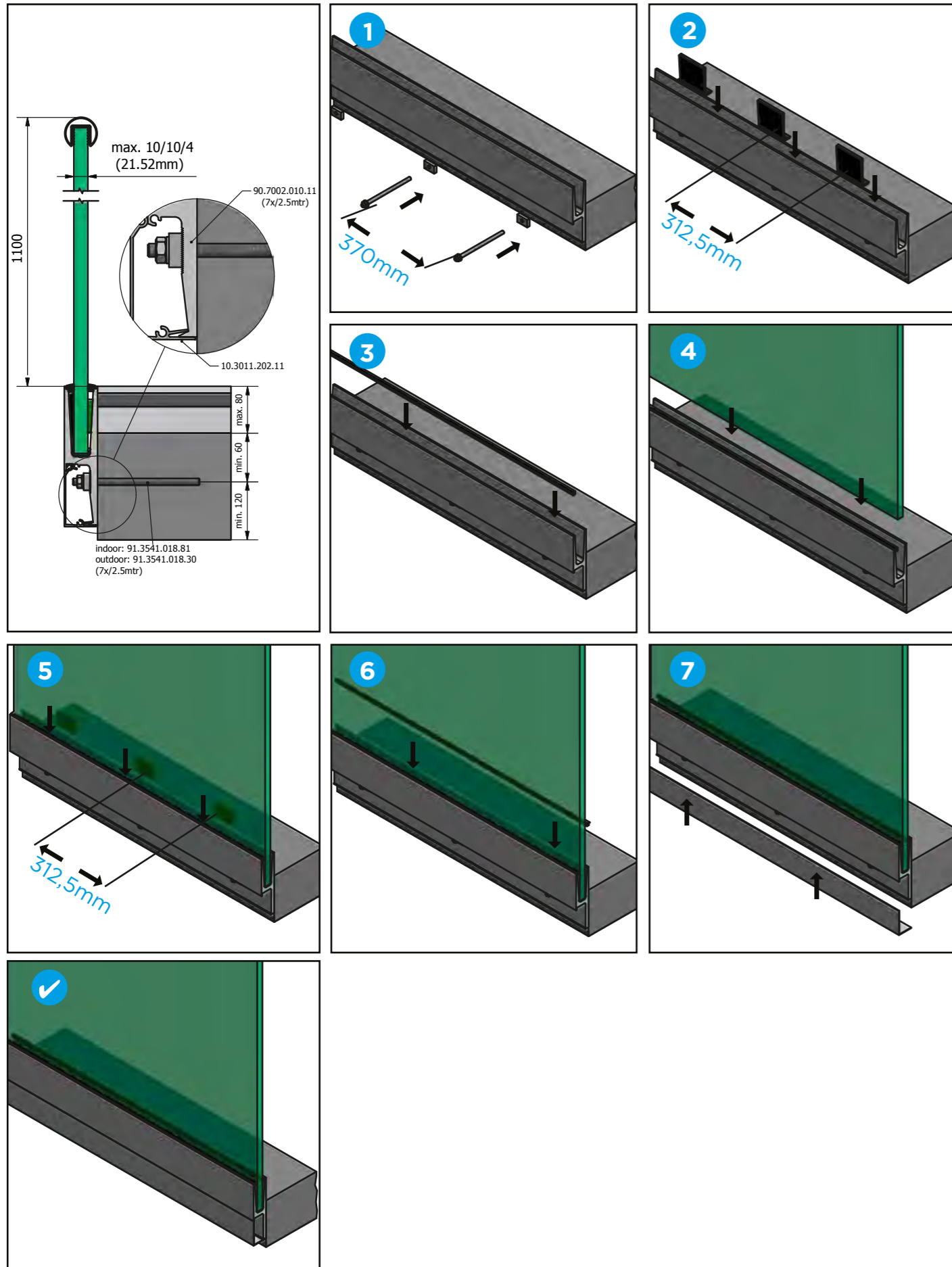
Adjust the way you work

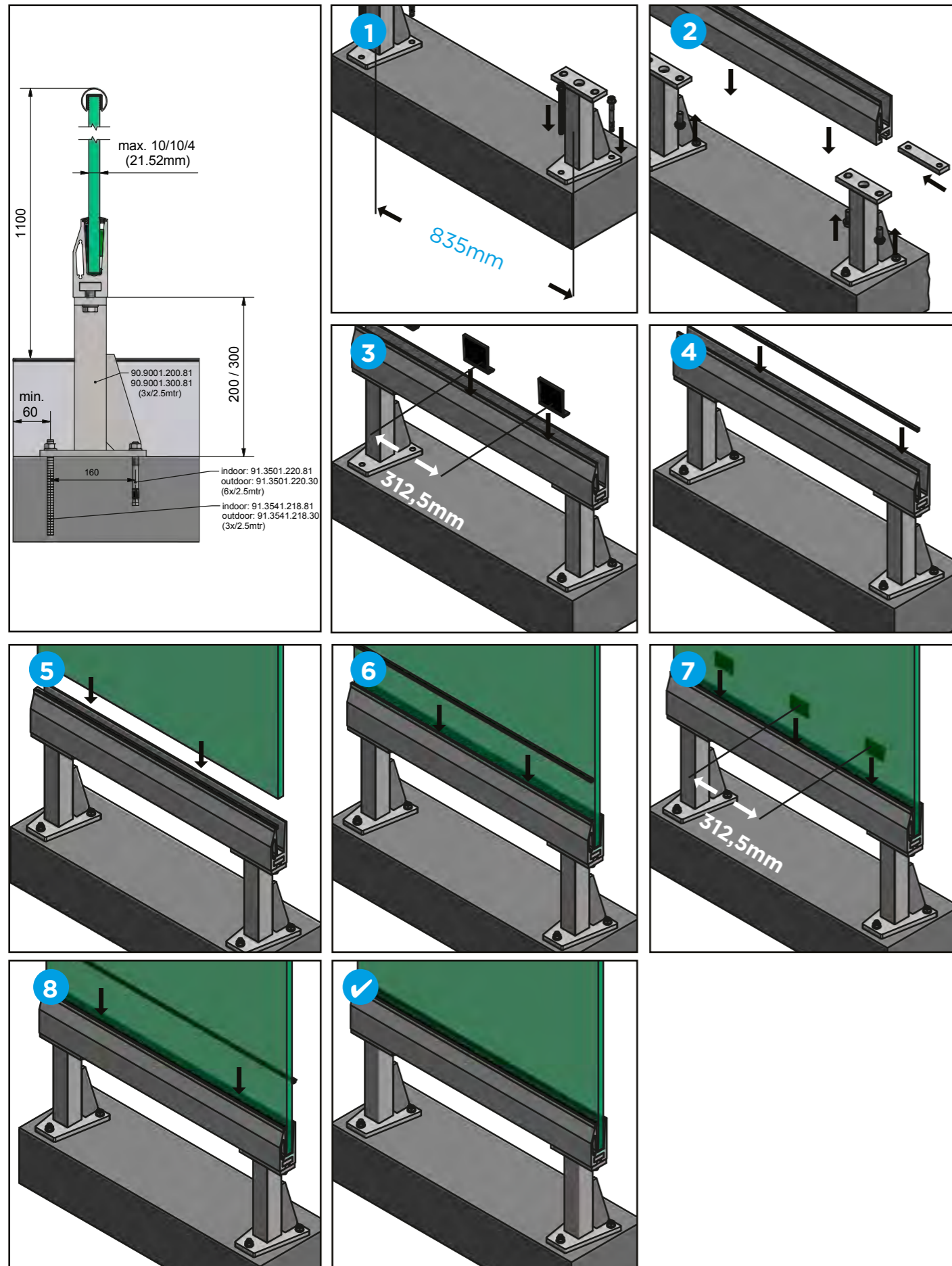












1 Base Rail

The aluminium base rail should be placed onto its designated position and the holes marked onto the substrate for drilling. The channel should then be levelled and lined up with the use of shims. Once the shoe is plumb and level, the fixings should be tightened up to make the channel rigid. The fixings must be tightened in accordance with the manufacturers instructions.



2 Glass Slip Clamp Fitting

The glass slip clamps need to be placed on the bottom of the glass. This requires lifting the glass off the floor sufficiently or turning the glass upside down to squeeze these on. The slip clamps require spacing so that four are used per metre. The clamps placed on either end of the glass should be located 125mm in from the edge of the glass and then 250mm to the next clamp. The glass can now be placed into the channel.



3 Glass Clamp Bar Fitting

Once the glass is fitted in place, you now need to place the clamp bars into the top of each glass slip clamp. First you must screw the bolt into the clamp bar until the head of the bolt just reaches the bar. The shaped side of the bar will sit nearest to the glass. You can now sit each clamp bar into the glass slip clamps.



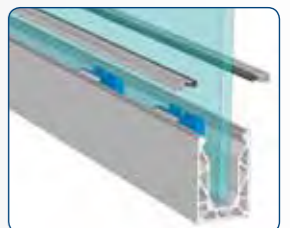
4 Getting Glass Plumb and Tightening Bolts

You now need to place a spirit level on the glass to get the glass in the correct position. The bolts now need tightening into the channel equally to keep the same pressures on the glass. To adjust the glass into position you must unscrew the bolts back onto the channel. To achieve the correct positioning firstly square up and level each end of the glass and tighten. Then tighten the intermediate clamp bars. Once the bolts have pinched, they now need a half turn to securely hold the glass in place. For extra protection we would suggest the use of an adhesive on the thread of the bolts.



5 Top Seal Strip

The gasket requires feeding into the smaller profile supplied, you must not stretch the gasket. Once the gasket is flush with each end of the strip it now needs to be clipped onto the top of the channel, this can be done by pressing firmly down on the profile. Working from one end to the other is recommended.



6 Cleaning

Once you are happy everything is in place and the job is complete you need to clean the glass and channel. We recommend the use of any standard glass cleaner so long as it is not abrasive. We also recommend a soft sponge or cloth, again to avoid any risk of scratching.



Glass-tec Care and Maintenance

To gain the maximum benefits from the Glass-tec range, the correct care and maintenance procedures should be followed during and after installation.

To achieve maximum corrosion resistance and appearance, the surface of the aluminium/stainless steel must be kept clean; this is extremely important when used in an external environment.

Installations in an external environment will require a cleaning schedule to be followed, this is a periodic cleaning of approximately every 3-6/6-12 months thereafter.

For installations in **aggressive environments**, for example coastal regions and swimming pools, you will need to take particular care with cleaning and maintenance to inhibit corrosion. The cleaning schedules relating to these types of areas are much more frequent than standard external installations.



cleaning methods

During Installation - Base Channel

- Grease marks, dirt or mastic spillage may be removed using white spirit or an approved solvent which will not adversely affect the anodised finish. DO NOT use aggressive abrasive materials such as wire wool.
- It is recommended that all cut bar ends, mitres, butt joints & drill holes should be coated with an air drying primer/corrosion inhibitor, to provide protection against the initiation of corrosion where the aluminium is exposed especially in coastal locations.
- Installers should take maximum care during assembly, transit & fitting not to damage the anodised coating.

After installation – Base Channel

- Wash down with clean warm water containing a non alkaline liquid detergent (in a concentration which can be handled safely with bare hands) using a non abrasive cloth, sponge or soft bristle brush. Rinse thoroughly with clean water.
- Dry using a soft cloth or leather.
- After drying, apply furniture cream or wax, to maintain the highest quality surface finish. The frequency of cleaning anodised surfaces in the external environment will vary depending on atmospheric conditions.
- Anodised surfaces which have been neglected for considerable periods of time will often require a more aggressive cleaning procedure. Unfortunately abrasive cleaning does cause some removal of the surface finish.

During Installation – Stainless Steel

- Grease marks, dirt or mastic spillage may be removed using white spirit or an approved solvent which will not adversely affect the polished finish. DO NOT use aggressive abrasive materials such as wire wool.
- Installers should take maximum care during assembly, transit & fitting, not to damage the polished finish.

After Installation – Stainless Steel

- It is necessary to clean your installation immediately after fitting is complete using Fastec Stain Remover. Following this, periodical cleaning with Fastec Stainless Steel Cleaner will help form a protective barrier against the atmosphere.

Hints and tips

Always clean your installation once it has been completed. This removes any contaminants on the surface of the material to prevent future problems and leaves a finished look behind for your customer.

Always use a lint-free cloth, never use an abrasive cleaner or cloth.

It is important to remember that masonry and brick cleaners contain acid, so protect any surfaces during their use. Any splashes should be washed off straight away with water.

► Further information on cleaning schedules and maintenance can be found on our website.





information



Delivery

Fastec dispatch all orders via carrier on a next day service.

Orders must be received before 2.45pm to be dispatched same day.

Upgraded timed delivery services are available (ie. before noon, before 10.30am, Saturday am) at an additional cost.

Off-shore and some Scottish Highlands locations are only available on a 2-3 day service.



Price /Payment

All prices quoted are net. VAT will be added.

Delivery charges are in addition to the fitting prices and will be stated at time of quoting/ordering.

Accounts not settled within the agreed time period will be placed on stop and no further goods will be dispatched until the overdue monies are settled.



Returns

Goods will only be accepted if they are received in a re-saleable condition and in their original packaging.

Notification of a return must be made in writing in the first instance and must be received within 1 month after receipt.

A handling fee will be charged. The amount will be confirmed after a notification has been received.

Collection of the items for return can be arranged by Fastec via our carrier but will incur an additional charge. Please state if you require a collection arranging at time of notification. A cost will then be confirmed.



Claims

Notice of any claim relating to shortages or damaged goods shall be made to the company in writing within 48 hours of receipt of goods. In the event of loss or non-delivery of the goods the customer shall notify the company in writing within 3 days of receiving the advice note.

All goods received damaged on delivery must be signed for as 'Damaged'. Claims for goods received as damaged but signed for as 'Received in good condition' will not be accepted.

Quantities must be checked on delivery before signing as accepted.

Terms & Conditions

We reserve the right to change any products within this brochure relating to the design and measurements without prior warning.

Products may be updated or revised and actual products may be slightly different to the items illustrated.

Different shapes and product types may have slightly different polishing matches due to the techniques and processes used.

We cannot be held responsible for printing errors.

The company shall not be responsible for any expenditure losses. Any compensation is limited to the value of the goods.

► **Our full terms & conditions are available on request.**

