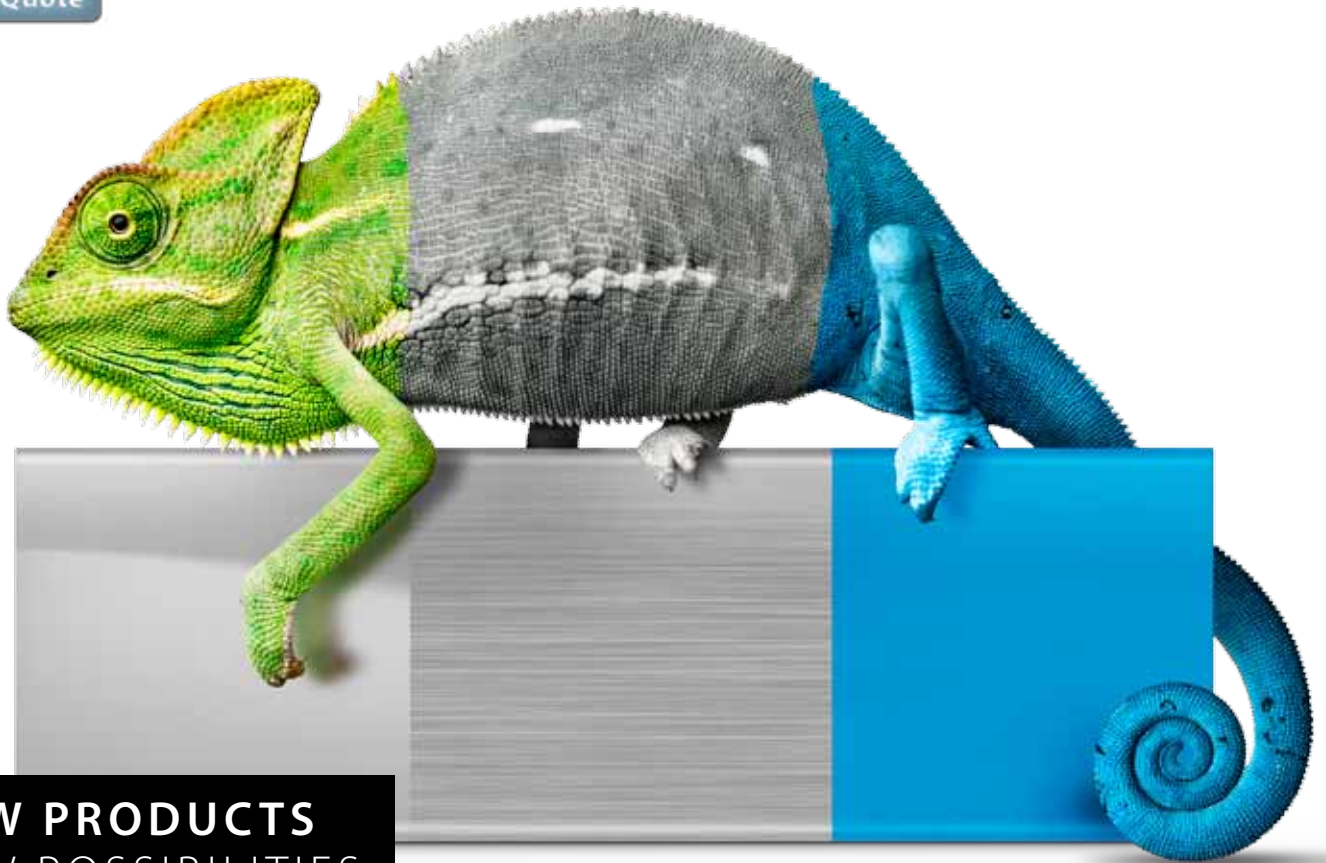




**NEED
GLASS?**
Let Us Quote



Flex-Fit
Adjust the way you work



**NEW PRODUCTS
NEW POSSIBILITIES**

Glass-tec

PRODUCT BROCHURE



Innovative Handrail Solutions



UK Distributor of
ONLEVEL
BALUSTRADES



Glass-tec

BY INSTALLERS, FOR INSTALLERS

The OnLevel specialists have years of experience assembling glass balustrades. We know the requirements a construction must meet and what the easiest assembly method is. Thanks to our daily practical experience, we know exactly which problems you can come across. This practical knowledge forms the basis for the continuous innovation of our products.

GLASS		page 12
TL-6010		page 14
TL-6020		page 18
TL-6030		page 22
TL-6011		page 24
TL-6021		page 30
TL-6031		page 34
BENDFIT		page 38
TL-4010		page 40
TL-5010		page 44
TL-3010		page 48
TL-3030		page 52
TL-3011		page 54
TL-3031		page 58
GLASS CONNECTORS		page 62
TL-2160		page 64
POSI-GLAZE TOP FIX		page 66
POSI-GLAZE SIDE FIX		page 68
MEGAGRIP		page 71
SKYFORCE		page 72
DEMO BOXES/DISPLAYS		page 78
HANDRAIL/FITTINGS		page 80
ACCESSORIES		page 90
INSTALLATION INSTRUCTIONS		page 92
CARE AND MAINTENANCE		page 108



key

Flex-Fit	page 8	
Drainage	page 29	
Extension pin	page 43	
Longer attachment distances	page 47	
Mounting block	page 61	
Top cover and floor connect	page 65	

CLEAR VISION

There is a good reason that glass balustrades have become fashionable. They offer an aesthetic, low-maintenance, durable solution for homes, offices and public spaces. Fastec offers a wide choice of systems for every space, all of which are stylish, safe and easy to assemble.

THE CHOICE IS YOURS

You can now order the Glass-tec systems and assemble them yourself. This gives you even more options! Maybe you know exactly which profile best suits your project requirements. With our extensive range of profiles there is a solution for every installation.

OUR EXPERIENCE IS YOUR GAIN

OnLevel's many years of experience is reflected in its products. For example, our glass profiles have:

- Adjustable glass solution with 'Flex-Fit'.
- Top cover profiles to easily allow fascia integration.
- Water drainage openings.
- Extension pin to aid adjustment.
- A strong anodised 25 µm coating.
- Robust, protective foil and cardboard packaging.



Sales support by professionals.



Our products are available from stock.



about us

Fastec Handrail Systems specialises in the supply and delivery of off-the-shelf stainless steel modular handrail fittings.

We have designed and manufactured our Fastec modular handrail fittings to fulfil all your requirements.

Fastec Handrail Systems forms part of the Barrett Steel Ltd group. We operate from a purpose-designed 3100ft² warehouse and sales facility and hold extensive stocks within the UK, ensuring rapid next-day turnaround to service and meet all your requirements.

Our friendly sales advisors are here to help, offering sales assistance and technical support to ensure you receive the best levels of service and aftercare.

Fastec has established a reputation for outstanding customer service, total reliability, fast delivery and above all, premium quality products.

All our products are available off the shelf, ready for next-day delivery wherever you are in the UK. We will help you stay within your project's budget without compromising on quality, service or the aesthetic appearance of your completed installation.

And for your complete peace of mind, our products have been independently tested for safety.

philosophy

Creativity. Innovation. Technical Mastery

These are Fastec Handrail Systems watchwords. We are a progressive business, working in long-term partnerships with our customers to realise your project's full aesthetic and functional potential.

You can be sure we understand your business and the environment in which you operate. Our customers choose us because they know they can rely on our innovative approach and complete commitment to the success of a project.

We'll work closely with you to ensure your budgets and timescales are met sharing our judgement, expertise and problem solving skills to guarantee the best outcome for your project and your business.

We focus on your requirements because the end result is as important to us as it is to you. That's why we add value every step of the way whilst keeping you on schedule and within budget. We're more than happy to have a no-obligation discussion with you about your current and future plans.

Call us today – we are waiting to hear from you.



ALUMINIUM ANODISED

High standards

The core of our extensive range consists of our aluminium product line, which we continue to optimise based on our practical experience.



STAINLESS STEEL EFFECT

Stylish look

An aluminium profile with the look of stainless steel is a stylish solution for, for instance, balustrades that have a stainless steel railing. You will enjoy the benefits of aluminium combined with the look of stainless steel.



RAW/COLOURED

Raw or with a coloured coating

A revolutionary extension of our product line: raw profiles that are available in any desired colour. The Raw Profiles series has a raw and robust look as standard but is also highly suitable for a finishing touch in the form of a top layer in the colour of your choice. Of course, you can order 100% raw profiles as well.



Colourful options

The Raw Profiles are available in any colour you want. You want a profile in the colours of your company logo? Or a profile in a colour that matches the colour of the facade? OnLevel will create it for you.

what finish do you choose?

From now on, it is you who decides how you want to have your profiles delivered. Raw or anodised, with a stainless steel look or with a coloured coating - all kinds of variations and combinations are possible! The Raw Profiles series is standard raw but is also highly suitable for a coloured finishing touch. Stainless Style provides the benefits of aluminium combined with the look of stainless steel. You just choose the finish that best matches your project. And if you prefer to combine two or more styles, that can be done as well.

Endless variations and combinations

The most popular products from our range are available - and interchangeable - in any finish that you want. This means that you can select and combine as many elements as you please. You can now decide for yourself whether you want to have the entire balustrade in one single style, or combine elements of a different finish.

ALUMINIUM
ADONISED

STAINLESS
STEEL EFFECT

COLOURED

RAW



FINISH .11

FINISH .12

FINISH .13

FINISH .10



NEW PRODUCTS
NEW POSSIBILITIES

ONLEVEL
Color
RANGE

a stylish solution for every space

For individual installations of glass balustrades you can choose between base profiles or glass connectors. The construction you attach the balustrade to plays an important role in the choice of system, and whether a side mount or a top mount profile is required.

The following pages show you our range of products. All the systems are modular, which means you can assemble your own selection of products to fulfil your project designs easily and conveniently.

Glass balustrades must meet the requirements of British Standards. The Glass-tec profiles have been independently tested to ensure the safety of your installation.

Please refer to the chart, so you can see at a glance which systems can be used in your construction project.



INTERNALHOUSING 0.36KN

Relatively light constructions can be designed for applications in homes. The glass balustrade must be able to withstand 0.36 kN per linear metre.

EXTERNALHOUSING 0.74KN OFFICEFUNCTION 0.74KN

Glass balustrades used for external housing and offices require thicker glass and the profiles must obviously be adapted accordingly. The glass balustrade must be able to withstand 0.74 kN per linear metre.

PUBLICAREAS 1.5KN

The extensive use associated with public spaces requires the use of heavier materials. Glass thickness and heavy profiles guarantee safety, even for heavy loads. The glass balustrade must be able to withstand 1.5 kN per linear metre.

STADIUMFUNCTION 3.0KN

Stadium criteria requires the most robust solutions. Glass thickness and heavy profiles guarantee safety, even for heavy loads. The glass balustrade must be able to withstand 3.0 kN per linear metre.

TESTED
according to
BS6180

LUCIDEON
insight growing advantage

TESTED
according to
BS6180

SANDBERG

TESTED
according to
BS6180

STS

	Model		Test House	Mount Type	Achieved	Glass Thickness	Achieved	Glass Thickness	Achieved	Glass Thickness	Achieved	Glass Thickness
Page 14	TL-6010		LUCIDEON	Top Mount	✓	12	✓	15, 17.52, 19, 21.52	✗		✗	
Page 18	TL-6020		LUCIDEON	Top Mount	✓		✓	15, 17.52	✓	19, 21.52	✗	
Page 22	TL-6030		LUCIDEON	Top Mount	✓		✓		✓	21.52, 25.52	✓	31.52
Page 24	TL-6011		LUCIDEON	Side Mount	✓	12	✓	15, 17.52, 19, 21.52	✗		✗	
Page 30	TL-6021		LUCIDEON	Side Mount	✓		✓		✓	15, 19, 21.52	✗	
Page 34	TL-6031		LUCIDEON	Side Mount	✓		✓		✓	25.52	✓	31.52
Page 40	TL-4010		LUCIDEON	Top Mount	✓		✓	15, 17.52	✓	19, 21.52	✗	
Page 44	TL-5010			Top Mount		No UK Data		No UK Data		No UK Data		No UK Data
Page 48	TL-3010		LUCIDEON	Top Mount	✓	12	✓	15, 17.52, 19, 21.52	✗		✗	
Page 52	TL-3030		LUCIDEON	Top Mount	✓		✓		✓	21.52, 25.52	✓	31.52
Page 54	TL-3011		LUCIDEON	Side Mount	✓	12	✓	15, 17.52, 19, 21.52	✗		✗	
Page 58	TL-3031		LUCIDEON	Side Mount	✓		✓		✓	21.52, 25.52, 30.52	✗	
Page 64	TL-2160			Side Mount		No Data		No Data		No Data		No Data
Page 66	Posi-glaze		SANDBERG	Top Mount	✓		✓	15	✓	19, 21.52	✗	
Page 68	Posi-glaze		SANDBERG	Side Mount	✓	15	✓	19, 21.52	✗		✗	
Page 71	Megagrip		LUCIDEON	Top Mount	✓		✓		✓		✓	25, 25.52, 31.52, 33
Page 72	SKYFORCE		STS	French Balconies	✓		✓		✓		✓	12.76, 17.52, 21.52

* Full test data can be provided on request.

Please refer to Table 2 of BS6180 for full details/clarification on imposed loads.



Introducing...

Flex-Fit

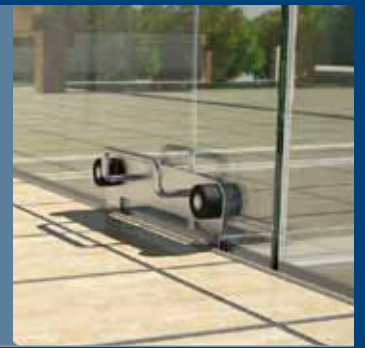


OnLevel Flex-Fit is the solution for perfect, fast and safe alignment of glass balustrades. With just a simple sliding movement you position the glass with a precision of up to 40 mm and reduce the assembly time by some 30%. Optionally, Flex-Fit can be used with all existing Trans Level profiles.

Adjust the way you work

ADJUSTABLE FROM BALCONY SIDE

In addition to reducing the assembly time by 30%, the unique Flex-Fit system has more benefits to offer. Unlike traditional systems where you have to work from both the balcony side and the void side, the Flex-Fit can be fully operated from the balcony side. This way you avoid the cost of renting a scaffold or even a scissor lift and – very important – you can work much safer!



EASY-TO-USE ONLEVEL FLEX-FIT TOOL

To enable fast and perfect alignment of glass panels OnLevel has developed the handy Flex-Fit Tool. With just a simple movement of your hand, this tool helps you position a glass panel down to a precision of one millimetre. To see how this is done, please visit www.fastechandrails.co.uk.



SIMPLE AND AFFORDABLE

The design of the OnLevel Flex-Fit system is based on two key principles: simplicity and affordability. These primary design requirements have been ingeniously combined into the Flex-Fit, resulting in a unique solution at a transparent price.



AVAILABLE FOR ALL TRANS LEVEL SYSTEMS

One more benefit: the Flex-Fit glass fitting system can be applied – as an option – to all OnLevel glass profiles. At a small extra charge you will enjoy all the benefits that the Flex-Fit system has to offer, including the alignment accuracy, the adjustability from the balcony side and the ease of use of the Flex-Fit Tool.



FOR GLASS THICKNESSES FROM 12 UP TO 31.52 MM

The Flex-Fit glass fitting system can be used for a wide range of glass thicknesses – from 12 mm to as thick as 31.52 mm. This makes working with the OnLevel Flex-Fit system not only very pleasant but also, and especially, very cost-efficient.





Situation 1

The slide is in neutral position and so is the glass.



Situation 2

You want to tilt the glass towards the balcony side. To do so you move the slide to the right.



Situation 3

You want to tilt the glass towards the void side. To do so you move the slide to the left.



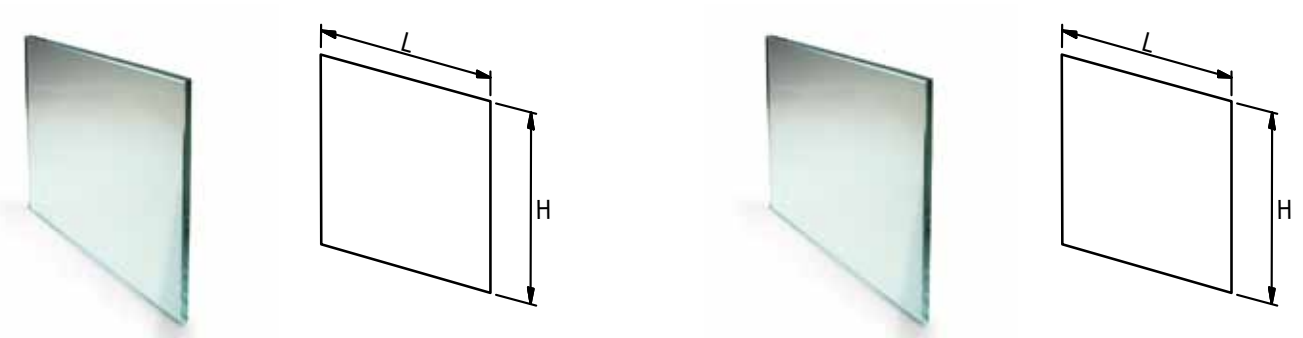


Glass-tec

Glass |

- Slender, attractive design and low maintenance
- Clean line appearance
- Tinted glass available
- Sandblasted, etched and screen printing available

GLASS | TOUGHENED/LAMINATED



► Toughened glass

Toughened				
Glass	mm	L	H	☒
12	12	TBC	TBC	1
15	15	TBC	TBC	1
19	19	TBC	TBC	1
25	25	TBC	TBC	1

► Laminated glass

Laminated				
Glass		L	H	☒
12.76	6/6/2	TBC	TBC	1
13.52	6/6/4	TBC	TBC	1
16.76	8/8/2	TBC	TBC	1
17.52	8/8/4	TBC	TBC	1
20.76	10/10/2	TBC	TBC	1
21.52	10/10/4	TBC	TBC	1
25.52	12/12/4	TBC	TBC	1
31.52	15/15/4	TBC	TBC	1



Toughened or Laminated

ALL SHAPES. ALL SIZES
 MADE TO YOUR REQUIREMENTS
 AT COMPETITIVE PRICES

ONE STOP SHOP



Glass-tec

MODEL TL-6010 | 0.74kN TOP MOUNT

- Slender, attractive design and low maintenance
- Flex-Fit assembly system
- Water drainage openings
- Top cover (optional)
- Glass thickness range 12-12.52mm

TESTED according to BS6180

LUCIDEON insight creating advantage



Raw

NEW

Aluminium Anodised

Stainless Effect

NEW

Coloured

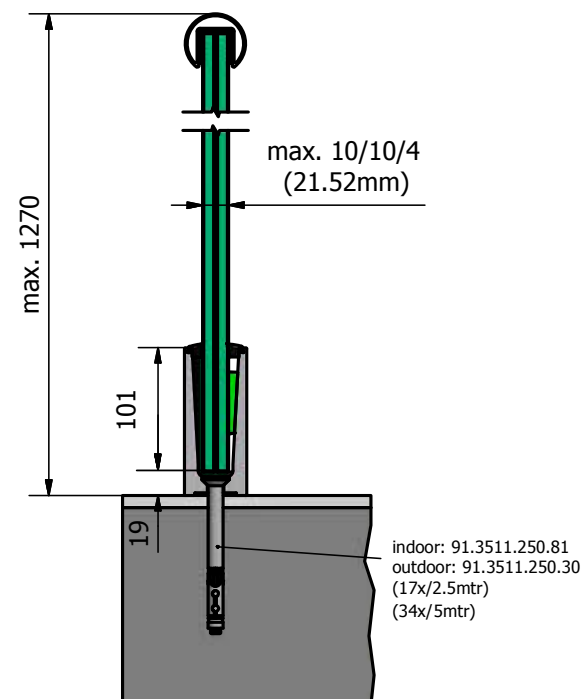
NEW

Finish .10

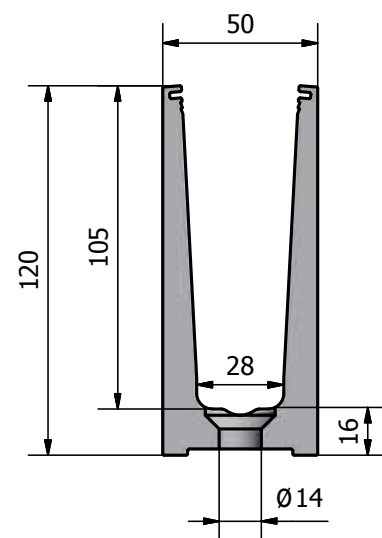
Finish .11

Finish .12

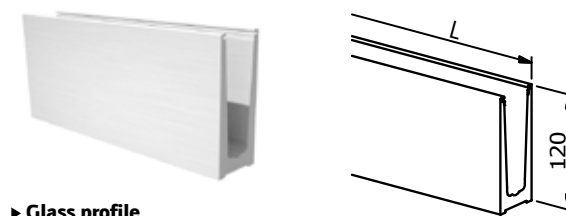
Finish .13



See page 94 for mounting instructions



TL - 6010 | 0.74kN TOP MOUNT

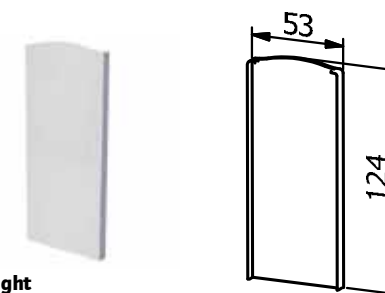


► Glass profile

Model: 6010	Aluminium	Outdoor
Code	L	☐
10.6010.002.11	2500	1
10.6010.005.11	5000	1

NEW!

Model: 6010	New Finishes	Outdoor	
Code	L	Finish	☐
10.6010.005.10	5000	Raw	1
10.6010.005.12	5000	Stainless Effect	1
10.6010.005.13	5000	Coloured	1

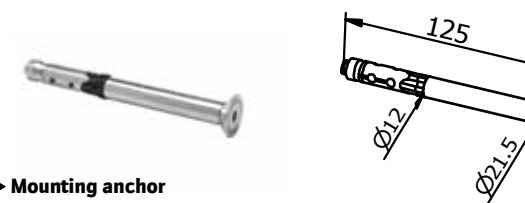


► End cap left/right

Model: 6010	Aluminium	Outdoor
Code		☐
10.6010.490.11		1

NEW!

Model: 6010	New Finishes	Outdoor
Code	Finish	☐
10.6010.490.10	Raw	1
10.6010.490.12	Stainless Effect	1
10.6010.490.13	Coloured	1



► Mounting anchor

Model: 3511	Zinc-plated	Indoor
Code	Quantity per 2500mm	☐
91.3511.250.81	17	25

Model: 3511	AISI 316	Outdoor
Code	Quantity per 2500mm	☐
91.3511.250.30	17	25

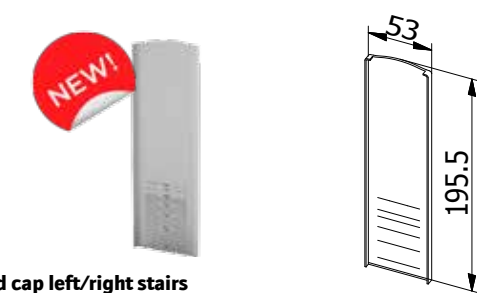


► Inside / Outside corner

Model: 6010	Aluminium	Outdoor
Code		☐
10.6010.390.11		1

NEW!

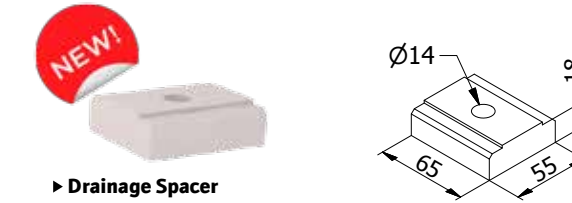
Model: 6010	New Finishes	Outdoor
Code	Finish	☐
10.6010.390.10	Raw	1
10.6010.390.12	Stainless Effect	1
10.6010.390.13	Coloured	1



► End cap left/right stairs

Model: 6010	Aluminium	Outdoor
Code		☐
10.6010.491.11		1

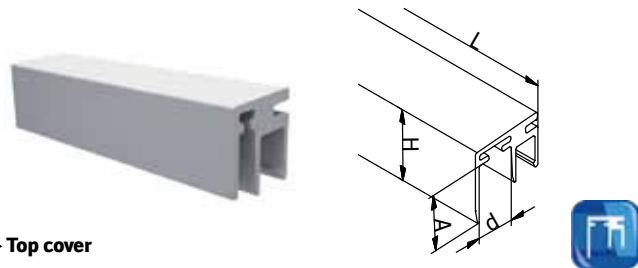
Model: 6010	New Finishes	Outdoor
Code	Finish	☐
10.6010.491.10	Raw	1
10.6010.491.12	Stainless Effect	1
10.6010.491.13	Coloured	1



► Drainage Spacer

Model: 6010	Aluminium	Outdoor
Code		☐
10.6010.500.11		17

Model: 6010	New Finishes	Outdoor
Code	Finish	☐
10.6010.500.10	Raw	17
10.6010.500.12	Stainless Effect	17
10.6010.500.13	Coloured	17



► Top cover

Model: 8010	Aluminium				Outdoor
Code	d	L	H	A	📦
90.8010.035.11	3	5000	14	10	1
90.8010.105.11	10	5000	20	16	1
90.8010.205.11	20	5000	20	16	1
90.8011.205.11	120	5000	20	16	1

NEW!

Model: 8010	Raw				Outdoor
Code	d	L	H	A	📦
90.8010.035.10	3	5000	14	10	1
90.8010.105.10	10	5000	20	16	1
90.8010.205.10	20	5000	20	16	1
90.8011.205.10	120	5000	20	16	1

NEW!

Model: 8010	Stainless Effect				Outdoor
Code	d	L	H	A	📦
90.8010.035.12	3	5000	14	10	1
90.8010.105.12	10	5000	20	16	1
90.8010.205.12	20	5000	20	16	1
90.8011.205.12	120	5000	20	16	1

NEW!

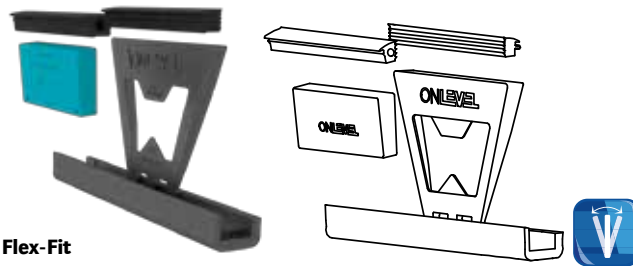
Model: 8010	Coloured				Outdoor
Code	d	L	H	A	📦
90.8010.035.13	3	5000	14	10	1
90.8010.105.13	10	5000	20	16	1
90.8010.205.13	20	5000	20	16	1
90.8011.205.13	120	5000	20	16	1

► Top cover floor connection

Model: 8110	Aluminium	Outdoor
Code	L	📦
90.8110.205.11	5000	1

NEW!

Model: 8110	New Finishes		Outdoor
Code	L	Finish	📦
90.8110.205.10	5000	Raw	1
90.8110.205.12	5000	Stainless Effect	1
90.8110.205.13	5000	Coloured	1



► Flex-Fit

Model: 0502/0505	Rubber			Outdoor
Code	Colour	Thickness	L	📦
90.0502.112.00	●	12	2500	1
90.0505.112.00	●	12	5000	1
90.0502.113.00	●	12.76	2500	1
90.0505.113.00	●	12.76	5000	1
90.0502.114.00	●	13.52	2500	1
90.0505.114.00	●	13.52	5000	1
90.0505.115.00	●	15	2500	1
90.0505.115.00	●	15	5000	1
90.0502.117.00	●	16.76	2500	1
90.0505.117.00	●	16.76	5000	1
90.0502.118.00	●	17.52	2500	1
90.0505.118.00	●	17.52	5000	1
90.0505.119.00	●	19	2500	1
90.0505.119.00	●	19	5000	1
90.0502.121.00	●	20.76	2500	1
90.0505.121.00	●	20.76	5000	1
90.0502.122.00	●	21.52	2500	1
90.0505.122.00	●	21.52	5000	1

ONE SIZE. ONE LEVEL.

Our end caps for staircases can be easily adjusted to the desired dimension. The lines on the rear of the end cap facilitate cutting it to shape and adjusting it to any desired angle.

Cut to Size





Glass-tec

MODEL TL-6020 | 1.5kN TOP MOUNT

- Slender, attractive design and low maintenance
- Flex-Fit assembly system
- Water drainage openings
- Top cover (optional)
- Glass thickness range 12-12.52mm

TESTED according to BS6180

LUCIDEON insight creating advantage



EN1090-1

Raw

NEW

Aluminium Anodised

Finish .10

Stainless Effect

NEW

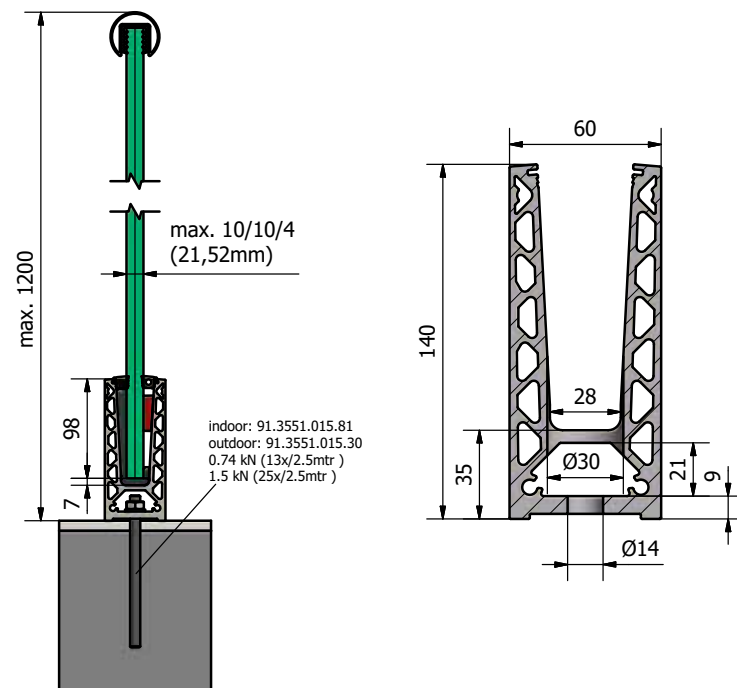
Coloured

Finish .11

NEW

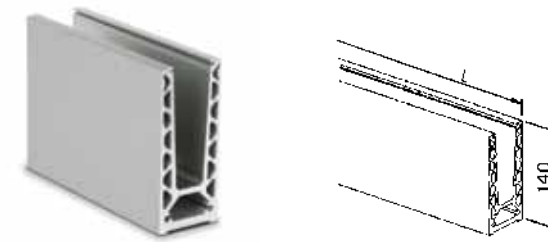


NEW PRODUCTS
NEW POSSIBILITIES



See page 95 for mounting instructions

TL - 6020 | 1.5KN TOP MOUNT

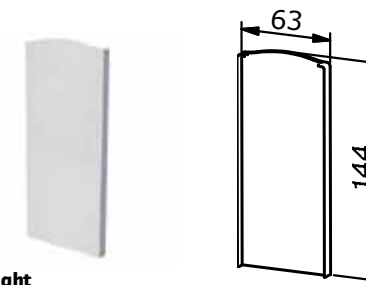


► Glass profile

Model: 6020	Aluminium	Outdoor
Code	L	☐
10.6020.002.11	2500	1
10.6020.005.11	5000	1

NEW!

Model: 6020	New Finishes	Outdoor
Code	L Finish	☐
10.6020.005.10	5000 Raw	1
10.6020.005.12	5000 Stainless Effect	1
10.6020.005.13	5000 Coloured	1



► End cap left/right

Model: 6020	Aluminium	Outdoor
Code		☐
10.6020.490.11		1

NEW!

Model: 6020	New Finishes	Outdoor
Code	Finish	☐
10.6020.490.10	Raw	1
10.6020.490.12	Stainless Effect	1
10.6020.490.13	Coloured	1



► Mounting anchor

Model: 3511	Zinc-plated	Indoor
Code	Quantity per 2500mm	☐
91.3511.015.81	13/25	25

Model: 3511	AISI 316	Outdoor
Code	Quantity per 2500mm	☐
91.3511.250.30	13/25	25

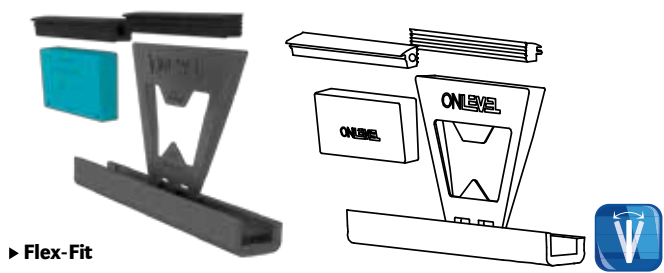


► Inside / Outside corner

Model: 6020	Aluminium	Outdoor
Code		☐
10.6020.390.11		1

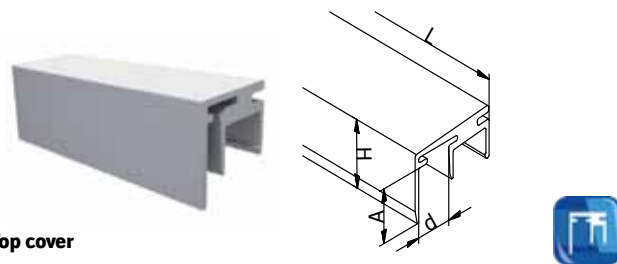
NEW!

Model: 6020	New Finishes	Outdoor
Code	Finish	☐
10.6020.390.10	Raw	1
10.6020.390.12	Stainless Effect	1
10.6020.390.13	Coloured	1



► Flex-Fit

Model: 0502/0505	Rubber	Outdoor
Code	Colour Thickness L	☐
90.0502.112.00	● 12 2500	1
90.0505.112.00	● 12 5000	1
90.0502.113.00	● 12.76 2500	1
90.0505.113.00	● 12.76 5000	1
90.0502.114.00	● 13.52 2500	1
90.0505.114.00	● 13.52 5000	1
90.0505.115.00	● 15 2500	1
90.0505.115.00	● 15 5000	1
90.0502.117.00	● 16.76 2500	1
90.0505.117.00	● 16.76 5000	1
90.0502.118.00	● 17.52 2500	1
90.0505.118.00	● 17.52 5000	1
90.0505.119.00	● 19 2500	1
90.0505.119.00	● 19 5000	1
90.0502.121.00	● 20.76 2500	1
90.0505.121.00	● 20.76 5000	1
90.0502.122.00	● 21.52 2500	1
90.0505.122.00	● 21.52 5000	1



► Top cover

Model: 8030	Aluminium					Outdoor
Code	d	L	H	A		
90.8030.035.11	3	5000	14	10	1	
90.8030.105.11	10	5000	20	16	1	
90.8030.205.11	20	5000	20	16	1	

NEW!

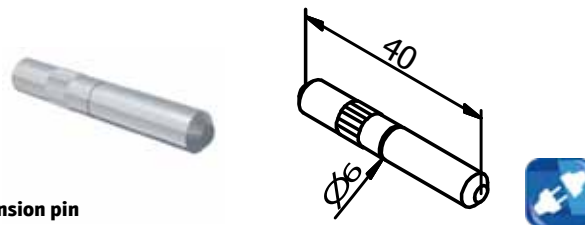
Model: 8030	Raw					Outdoor
Code	d	L	H	A		
90.8030.035.10	3	5000	14	10	1	
90.8030.105.10	10	5000	20	16	1	
90.8030.205.10	20	5000	20	16	1	

NEW!

Model: 8030	Stainless Effect					Outdoor
Code	d	L	H	A		
90.8030.035.12	3	5000	14	10	1	
90.8030.105.12	10	5000	20	16	1	
90.8030.205.12	20	5000	20	16	1	

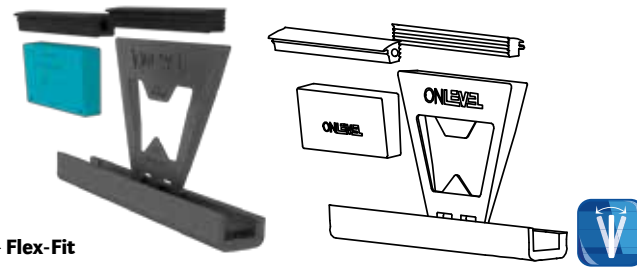
NEW!

Model: 8030	Coloured					Outdoor
Code	d	L	H	A		
90.8030.035.13	3	5000	14	10	1	
90.8030.105.13	10	5000	20	16	1	
90.8030.205.13	20	5000	20	16	1	



► Extension pin

Model: 7001	AISI 316					Outdoor
Code						
90.7001.640.31					8	



► Flex-Fit

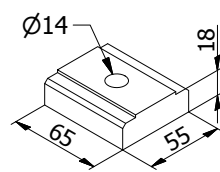
Model: 0502/0505	Rubber				Outdoor
Code	Colour	Thickness	L		
90.0502.112.00	●	12	2500	1	
90.0505.112.00	●	12	5000	1	
90.0502.113.00	●	12.76	2500	1	
90.0505.113.00	●	12.76	5000	1	
90.0502.114.00	●	13.52	2500	1	
90.0505.114.00	●	13.52	5000	1	
90.0505.115.00	●	15	2500	1	
90.0505.115.00	●	15	5000	1	
90.0502.117.00	●	16.76	2500	1	
90.0505.117.00	●	16.76	5000	1	
90.0502.118.00	●	17.52	2500	1	
90.0505.118.00	●	17.52	5000	1	
90.0505.119.00	●	19	2500	1	
90.0505.119.00	●	19	5000	1	
90.0502.121.00	●	20.76	2500	1	
90.0505.121.00	●	20.76	5000	1	
90.0502.122.00	●	21.52	2500	1	
90.0505.122.00	●	21.52	5000	1	



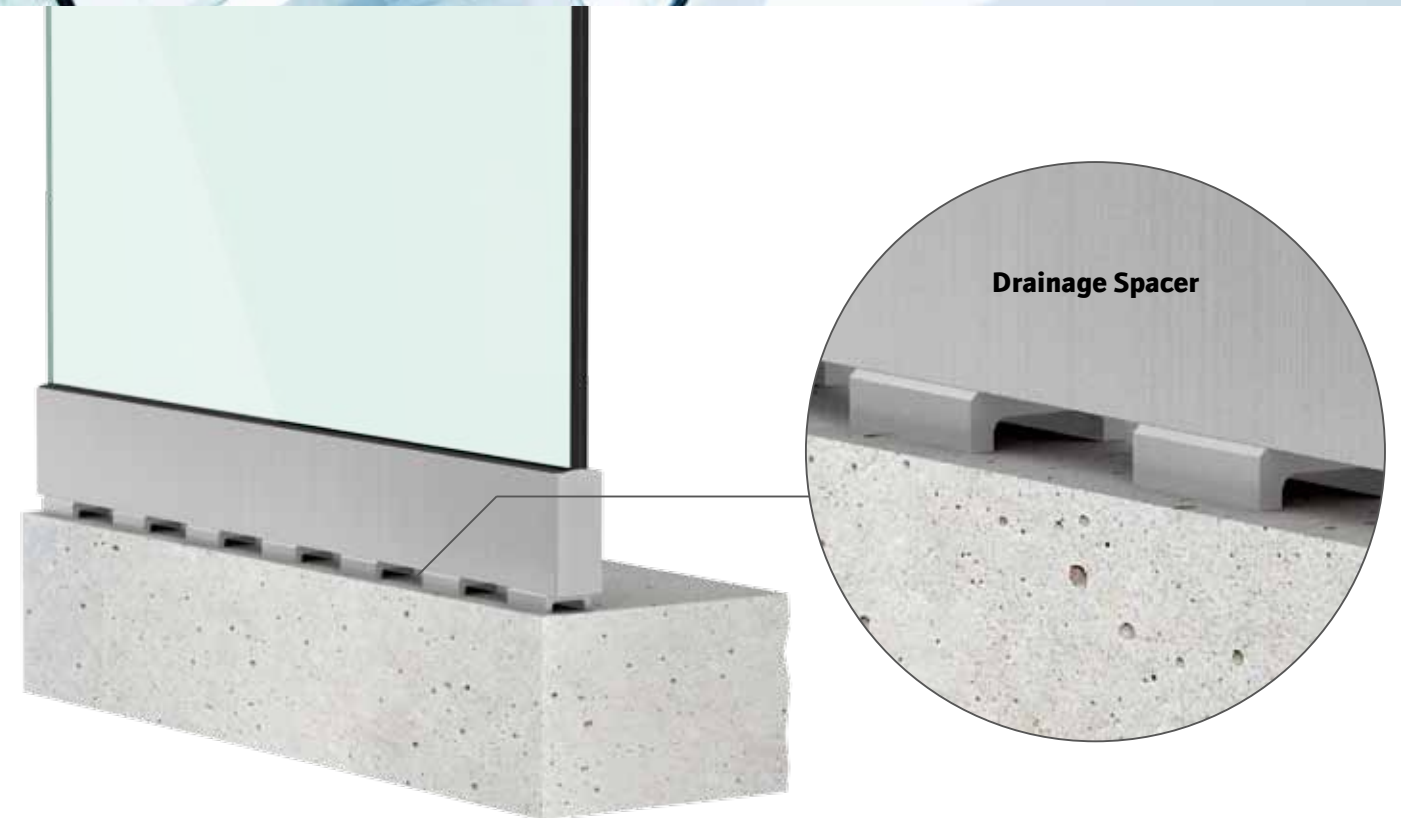
► Drainage Spacer

Model: 6020	Aluminium					Outdoor
Code						
10.6020.500.11					17	

Model: 6020	New Finishes				Outdoor
Code	Finish				
10.6020.500.10	Raw			17	
10.6020.500.12	Stainless Effect			17	
10.6020.500.13	Coloured			17	



Modern
Available in any look you want



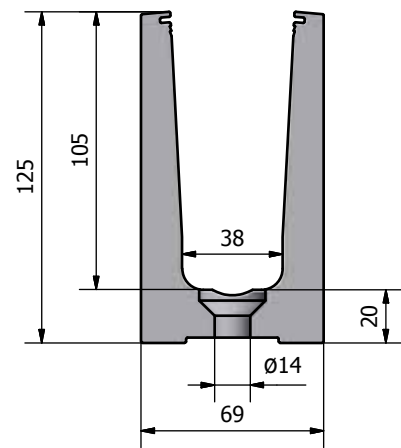
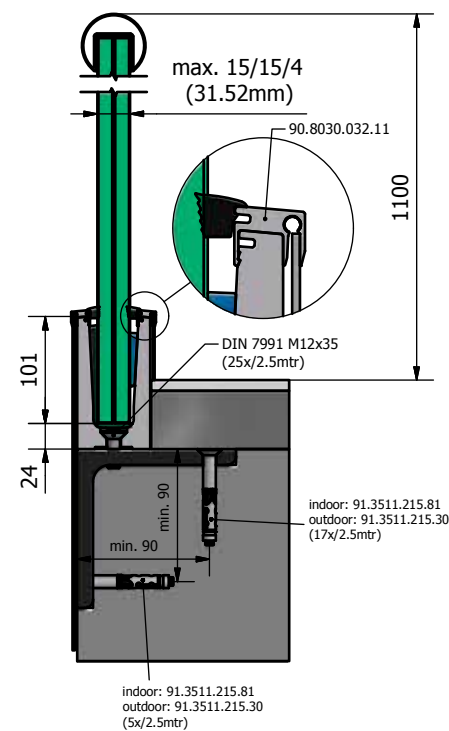
Drainage Spacer



Glass-tec MODEL TL-6030 | 1.5kN TOP MOUNT

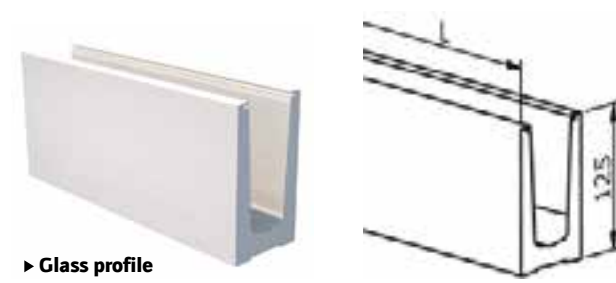
- Slender, attractive design and low maintenance
- Flex-Fit assembly systems
- Water drainage openings
- Top cover (optional)
- Glass thickness range 21.52-31.52mm

TESTED according to BS6180 LUCIDEON insight creating advantage



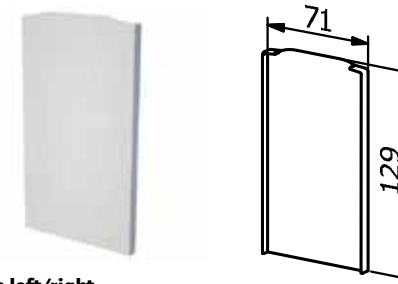
See page 96 for mounting instructions

TL - 6030 | 1.5KN TOP MOUNT



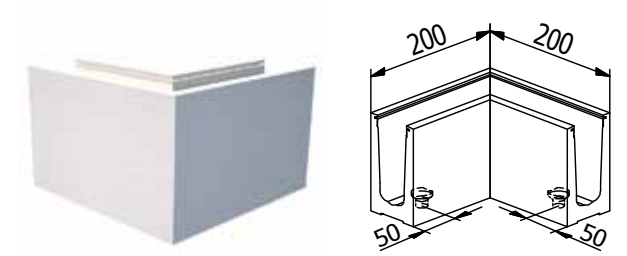
► Glass profile

Model: 6030	Aluminium	Outdoor
Code	L	📦
10.6030.002.11	2500	1



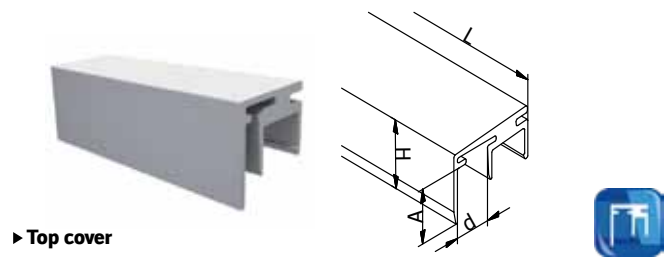
► End cap left/right

Model: 6030	Aluminium	Outdoor
Code		📦
10.6030.490.11		1



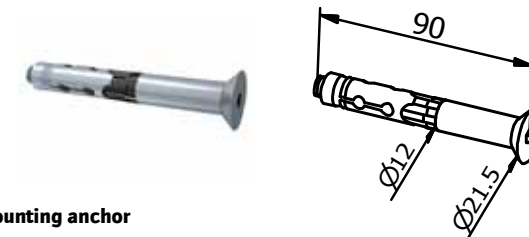
► Inside / Outside corner

Model: 6030	Aluminium	Outdoor
Code		📦
10.6030.390.11		1



► Top cover

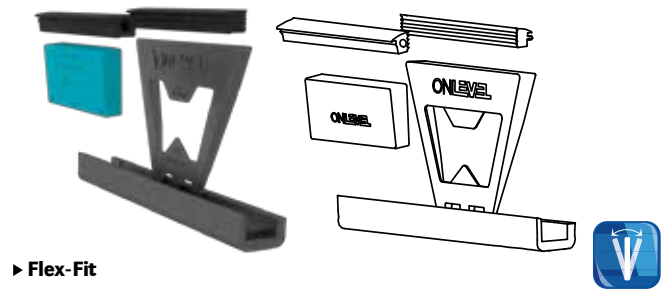
Model: 8030	Aluminium	Outdoor
Code	d L H A	📦
90.8030.035.11	3 5000 14 10	1
90.8030.105.11	10 5000 20 16	1
90.8030.205.11	20 5000 20 16	1



► Mounting anchor

Model: 3511	Zinc-plated	Indoor
Code	Quantity per 2500mm	📦
91.3511.215.81	22	25

Model: 3511	AISI 316	Outdoor
Code	Quantity per 2500mm	📦
91.3511.215.30	22	25



► Flex-Fit

Model: 0502/0505	Rubber	Outdoor
Code	Colour Thickness L	📦
90.0502.322.00	● 21.52 2500	1
90.0505.322.00	● 21.52 5000	1
90.0502.326.00	● 25.52 2500	1
90.0505.326.00	● 25.52 5000	1
90.0502.332.00	● 31.52 2500	1
90.0505.332.00	● 31.52 5000	1



Glass-tec

MODEL TL-6011 | 0.74kN SIDE MOUNT

- Slender, attractive design and low maintenance
- Flex-Fit assembly system
- Extension pin ducts
- Water drainage openings
- Top cover (optional)
- Cladding (optional)
- Integrated torsion box
- Glass thickness range 12-21.52mm

TESTED according to **BS6180** LUCIDEON insight creating advantage



Raw Finish .10

NEW Aluminium Anodised Finish .11

NEW Stainless Effect Finish .12

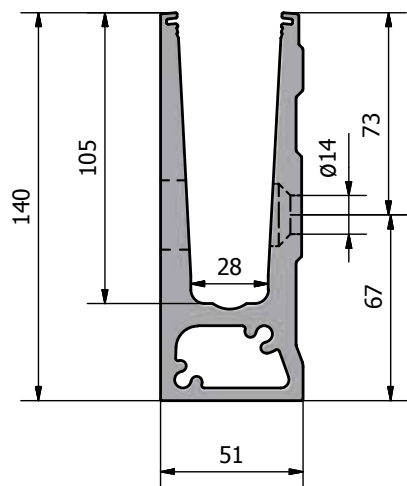
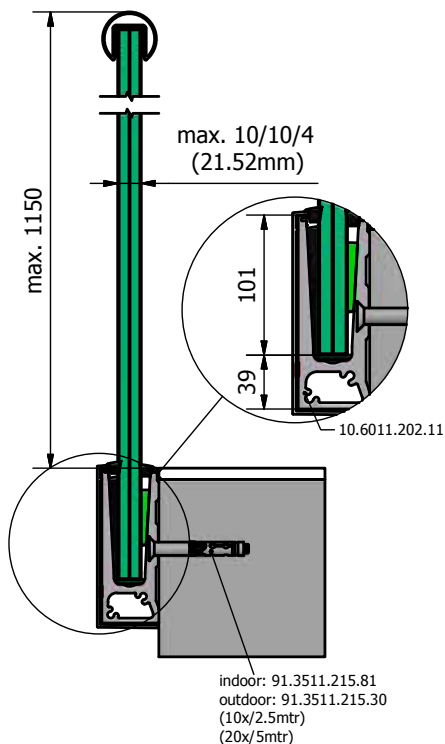
NEW Coloured Finish .13

NEW

NEW

NEW

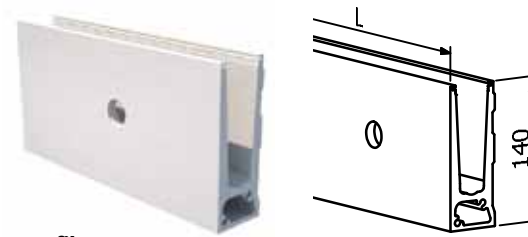
NEW



See page 97 for mounting instructions

indoor: 91.3511.215.81
outdoor: 91.3511.215.30
(10x/2.5mtr)
(20x/5mtr)

TL - 6011 | 0.74kN SIDE MOUNT



► Glass profile

Model: 6011	Aluminium	Outdoor
Code	L	☑
10.6011.002.11	2500	1
10.6011.005.11	5000	1

NEW!

Model: 6011	New Finishes	Outdoor
Code	L Finish	☑
10.6011.005.10	5000 Raw	1
10.6011.005.12	5000 Stainless Effect	1
10.6011.005.13	5000 Coloured	1



► Inside corner

Model: 6011	Aluminium	Outdoor
Code		☑
10.6011.300.11		1

NEW!

Model: 6011	New Finishes	Outdoor
Code	Finish	☑
10.6011.300.10	Raw	1
10.6011.300.12	Stainless Effect	1
10.6011.300.13	Coloured	1

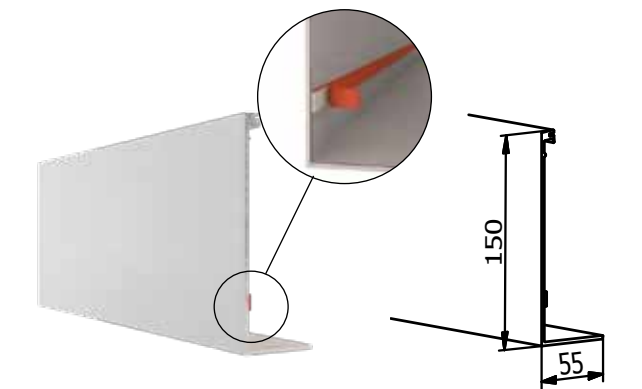


► Outside corner

Model: 6011	Aluminium	Outdoor
Code		☑
10.6011.350.11		1

NEW!

Model: 6011	New Finishes	Outdoor
Code	Finish	☑
10.6011.350.10	Raw	1
10.6011.350.12	Stainless Effect	1
10.6011.350.13	Coloured	1

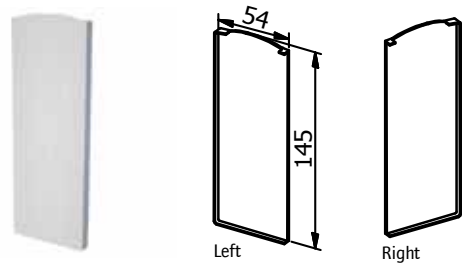


► Cladding

Model: 6011	Aluminium	Outdoor
Code	L	☑
10.6011.202.11	2500	1
10.6011.205.11	5000	1

NEW!

Model: 6011	New Finishes	Outdoor
Code	L Finish	☑
10.6011.205.10	5000 Raw	1
10.6011.205.12	5000 Stainless Effect	1
10.6011.205.13	5000 Coloured	1

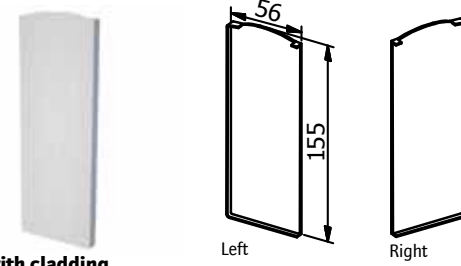


► End cap

Model: 6011	Aluminium	Outdoor
Code	Side	☐
10.6011.400.11	Left	1
10.6011.450.11	Right	1

NEW!

Model: 6011	New Finishes	Outdoor
Code	Finish	☐
10.6011.400.10	Left Raw	1
10.6011.450.10	Right Raw	1
10.6011.400.12	Left Stainless Effect	1
10.6011.450.12	Right Stainless Effect	1
10.6011.400.13	Left Coloured	1
10.6011.450.13	Right Coloured	1

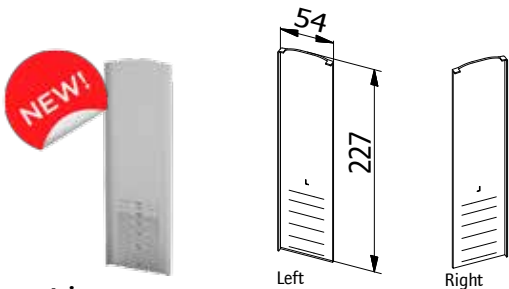


► End cap with cladding

Model: 6011	Aluminium	Outdoor
Code	Side	☐
10.6011.410.11	Left	1
10.6011.460.11	Right	1

NEW!

Model: 6011	New Finishes	Outdoor
Code	Finish	☐
10.6011.410.10	Left Raw	1
10.6011.460.10	Right Raw	1
10.6011.410.12	Left Stainless Effect	1
10.6011.460.12	Right Stainless Effect	1
10.6011.410.13	Left Coloured	1
10.6011.460.13	Right Coloured	1

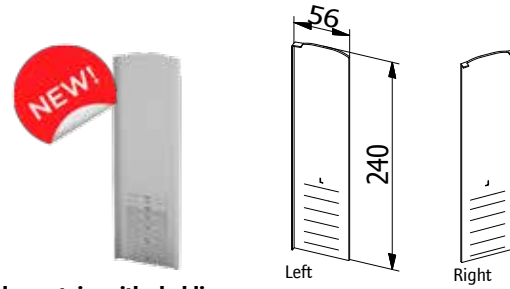


► End cap stairs

Model: 6011	Aluminium	Outdoor
Code	Side	☐
10.6011.401.11	Left	1
10.6011.451.11	Right	1

NEW!

Model: 6011	New Finishes	Outdoor
Code	Finish	☐
10.6011.401.10	Left Raw	1
10.6011.451.10	Right Raw	1
10.6011.401.12	Left Stainless Effect	1
10.6011.451.12	Right Stainless Effect	1
10.6011.401.13	Left Coloured	1
10.6011.451.13	Right Coloured	1



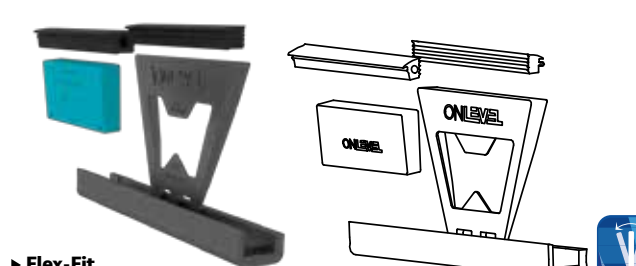
► End cap stairs with cladding

Model: 6011	Aluminium	Outdoor
Code	Side	☐
10.6011.411.11	Left	1
10.6011.461.11	Right	1

NEW!

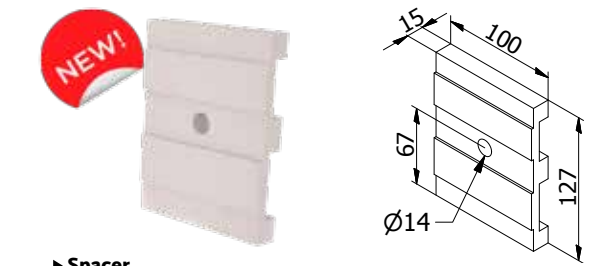
Model: 6011	New Finishes	Outdoor
Code	Finish	☐
10.6011.411.10	Left Raw	1
10.6011.461.10	Right Raw	1
10.6011.411.12	Left Stainless Effect	1
10.6011.461.12	Right Stainless Effect	1
10.6011.411.13	Left Coloured	1
10.6011.461.13	Right Coloured	1

! Please note: If you wish to use the cladding system you will need to order a different set of End caps.



► Flex-Fit

Model: 0502/0505	Rubber	Outdoor		
Code	Colour	Thickness	L	☐
90.0502.112.00	●	12	2500	1
90.0505.112.00	●	12	5000	1
90.0502.113.00	●	12.76	2500	1
90.0505.113.00	●	12.76	5000	1
90.0502.114.00	●	13.52	2500	1
90.0505.114.00	●	13.52	5000	1
90.0505.115.00	●	15	2500	1
90.0505.115.00	●	15	5000	1
90.0502.117.00	●	16.76	2500	1
90.0505.117.00	●	16.76	5000	1
90.0502.118.00	●	17.52	2500	1
90.0505.118.00	●	17.52	5000	1
90.0505.119.00	●	19	2500	1
90.0505.119.00	●	19	5000	1
90.0502.121.00	●	20.76	2500	1
90.0505.121.00	●	20.76	5000	1
90.0502.122.00	●	21.52	2500	1
90.0505.122.00	●	21.52	5000	1



► Spacer

Model: 6011	Aluminium	Outdoor
Code		☐
10.6011.500.11		10

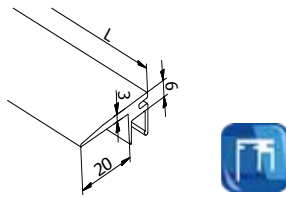
Model: 6011

New Finishes	Outdoor	
Code	Finish	☐
10.6011.500.10	Raw	17
10.6011.500.12	Stainless Effect	17
10.6011.500.13	Coloured	17



► Cap

Model: 7000	Plastic	Indoor
Code	Colour	☐
90.7000.025.45	Gray	10

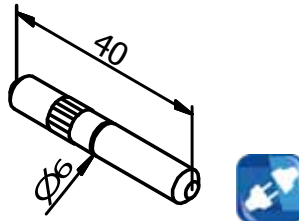


► Top cover floor connection

Model: 8110	Aluminium	Outdoor
Code	L	
90.8110.205.11	5000	1

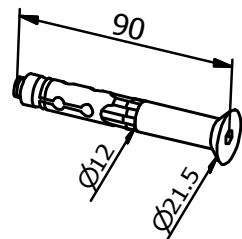
NEW!

Model: 8110	New Finishes	Outdoor
Code	L	Finish
90.8110.205.10	5000	Raw
90.8110.205.12	5000	Stainless Effect
90.8110.205.13	5000	Coloured



► Extension pin

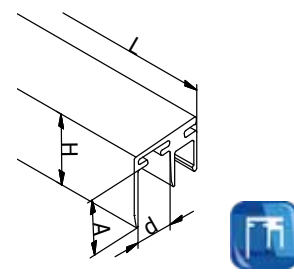
Model: 7001	AISI 316	Outdoor
Code		
90.7001.640.31		8



► Mounting anchor

Model: 3511	Zinc-plated	Indoor
Code	Quantity per 2500mm	
91.3511.215.81	10	25

Model: 3511	AISI 316	Outdoor
Code	Quantity per 2500mm	
91.3511.215.30	10	25



► Top cover

Model: 8010	Aluminium	Outdoor			
Code	d	L	H	A	
90.8010.035.11	3	5000	14	10	1
90.8010.105.11	10	5000	20	16	1
90.8010.205.11	20	5000	20	16	1
90.8011.205.11	120	5000	20	16	1

NEW!

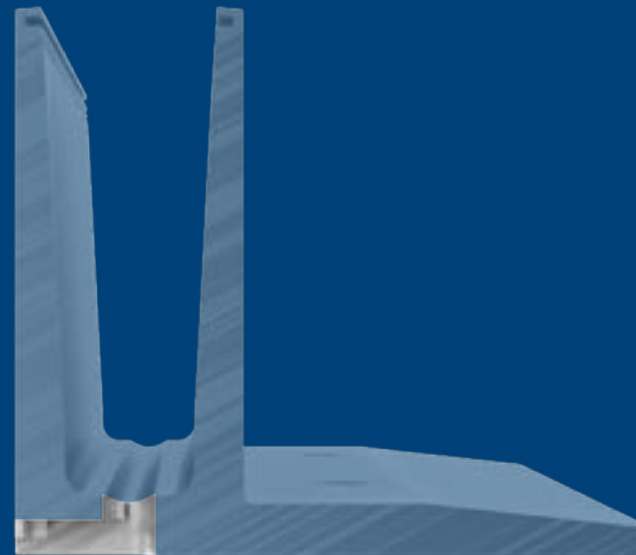
Model: 8010	Raw	Outdoor			
Code	d	L	H	A	
90.8010.035.10	3	5000	14	10	1
90.8010.105.10	10	5000	20	16	1
90.8010.205.10	20	5000	20	16	1
90.8011.205.10	120	5000	20	16	1

NEW!

Model: 8010	Stainless Effect	Outdoor			
Code	d	L	H	A	
90.8010.035.12	3	5000	14	10	1
90.8010.105.12	10	5000	20	16	1
90.8010.205.12	20	5000	20	16	1
90.8011.205.12	120	5000	20	16	1

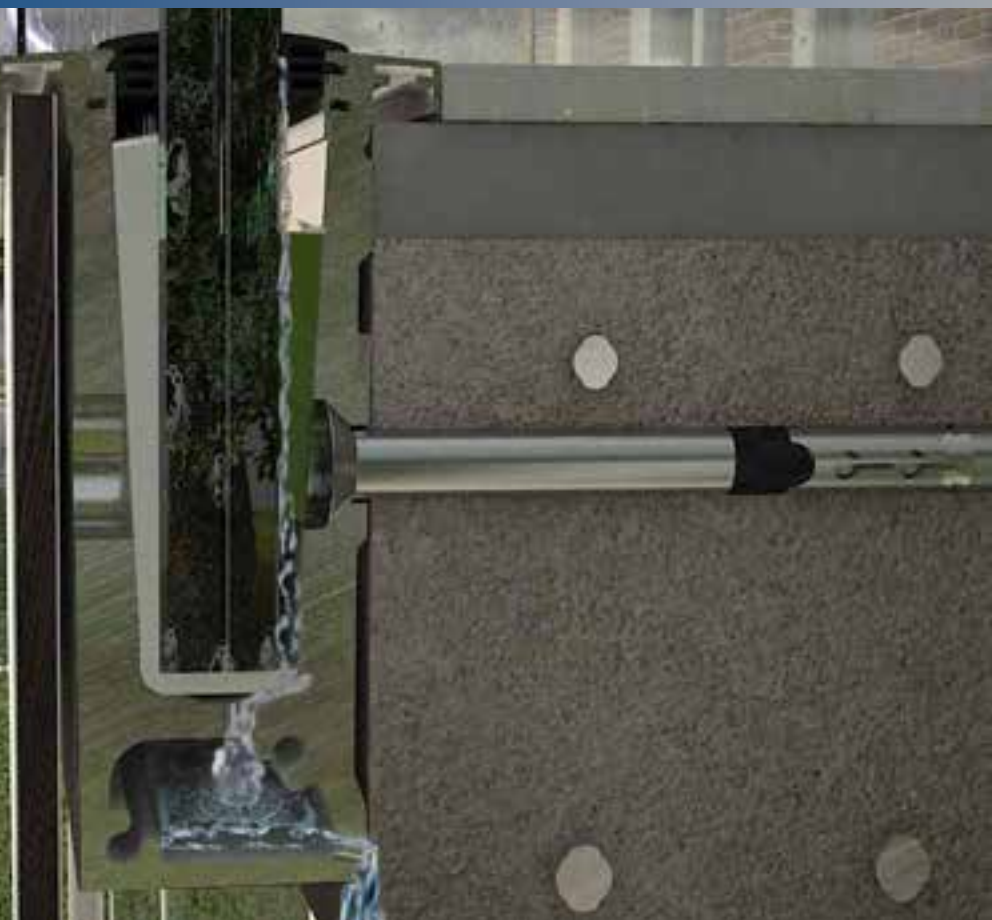
NEW!

Model: 8010	Coloured	Outdoor			
Code	d	L	H	A	
90.8010.035.13	3	5000	14	10	1
90.8010.105.13	10	5000	20	16	1
90.8010.205.13	20	5000	20	16	1
90.8011.205.13	120	5000	20	16	1



Drainage

The combination of water and cold can cause problems with the use of glass balustrades. To guarantee trouble-free use under such conditions, all OnLevel glass profiles have a water drainage hole every metre.





Glass-tec

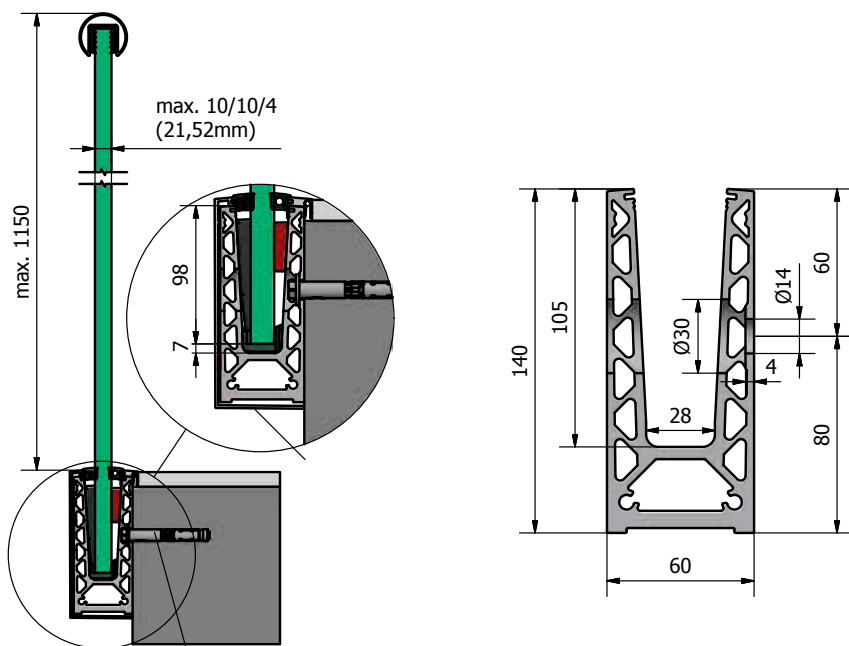
MODEL TL-6021 | 1.5kN SIDE MOUNT

- Slender, attractive design and low maintenance
- Flex-Fit assembly system
- Extension pin ducts
- Water drainage openings
- Top cover (optional)
- Cladding (optional)
- Integrated torsion box
- Glass thickness range 12-21.52mm

TESTED according to **BS6180** **LUCIDEON** insight creating advantage



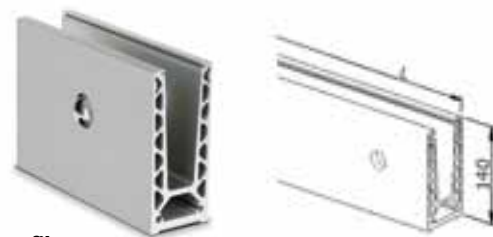
Raw **NEW** Aluminium Anodised Finish .11 Stainless Effect **NEW** Finish .12 Coloured **NEW** Finish .13



inside: 91.3521.210.81
outside: 91.3521.210.30
0.74 kN (7x/2.5mtr)
0.74 kN (14x/5mtr)
1.5 kN (13x/2.5mtr)
1.5 kN (25x/2.5mtr)

See page 98 for mounting instructions

TL - 6021 | 1.5KN SIDE MOUNT



► Glass profile

Model: 6021	Aluminium	Outdoor
Code	L	☑
10.6021.002.11	2500	1
10.6021.005.11	5000	1

NEW!

Model: 6021	New Finishes	Outdoor
Code	L Finish	☑
10.6021.005.10	5000 Raw	1
10.6021.005.12	5000 Stainless Effect	1
10.6021.005.13	5000 Coloured	1



► Outside corner

Model: 6021	Aluminium	Outdoor
Code		☑
10.6021.350.11		1

NEW!

Model: 6021	New Finishes	Outdoor
Code	L Finish	☑
10.6021.350.10	5000 Raw	1
10.6021.350.12	5000 Stainless Effect	1
10.6021.350.13	5000 Coloured	1

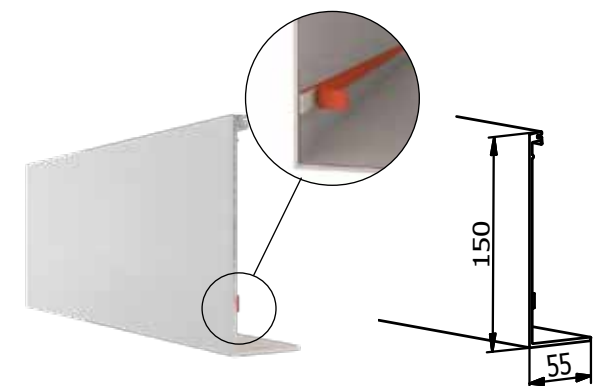


► Inside corner

Model: 6021	Aluminium	Outdoor
Code		☑
10.6021.300.11		1

NEW!

Model: 6021	New Finishes	Outdoor
Code	L Finish	☑
10.6021.300.10	5000 Raw	1
10.6021.300.12	5000 Stainless Effect	1
10.6021.300.13	5000 Coloured	1

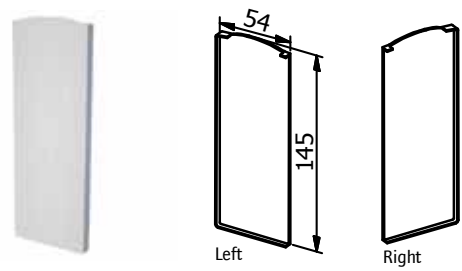


► Cladding

Model: 6021	Aluminium	Outdoor
Code	L	☑
10.6021.202.11	2500	1
10.6021.205.11	5000	1

NEW!

Model: 6021	New Finishes	Outdoor
Code	L Finish	☑
10.6021.205.10	5000 Raw	1
10.6021.205.12	5000 Stainless Effect	1
10.6021.205.13	5000 Coloured	1

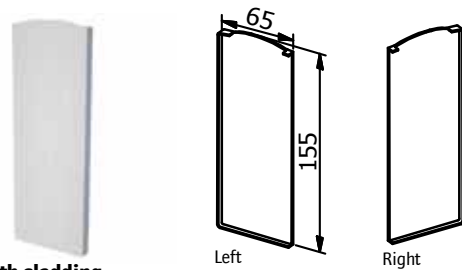


► End cap

Model: 6021	Aluminium	Outdoor
Code	Side	📦
10.6021.400.11	Left	1
10.6021.450.11	Right	1

NEW!

Model: 6021	New Finishes	Outdoor
Code	Finish	📦
10.6021.400.10	Left Raw	1
10.6021.450.10	Right Raw	1
10.6021.400.12	Left Stainless Effect	1
10.6021.450.12	Right Stainless Effect	1
10.6021.400.13	Left Coloured	1
10.6021.450.13	Right Coloured	1

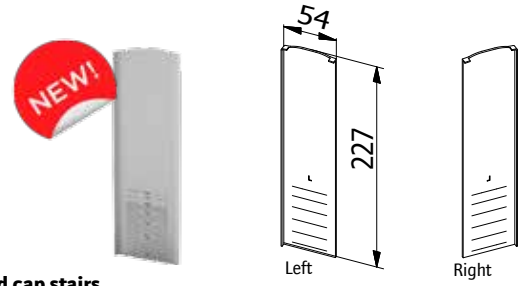


► End cap with cladding

Model: 6021	Aluminium	Outdoor
Code	Side	📦
10.6021.410.11	Left	1
10.6021.460.11	Right	1

NEW!

Model: 6021	New Finishes	Outdoor
Code	Finish	📦
10.6021.410.10	Left Raw	1
10.6021.460.10	Right Raw	1
10.6021.410.12	Left Stainless Effect	1
10.6021.460.12	Right Stainless Effect	1
10.6021.410.13	Left Coloured	1
10.6021.460.13	Right Coloured	1

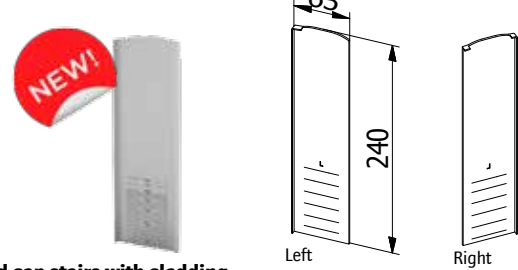


► End cap stairs

Model: 6021	Aluminium	Outdoor
Code	Side	📦
10.6021.401.11	Left	1
10.6021.451.11	Right	1

NEW!

Model: 6021	New Finishes	Outdoor
Code	Finish	📦
10.6021.401.10	Left Raw	1
10.6021.451.10	Right Raw	1
10.6021.401.12	Left Stainless Effect	1
10.6021.451.12	Right Stainless Effect	1
10.6021.401.13	Left Coloured	1
10.6021.451.13	Right Coloured	1



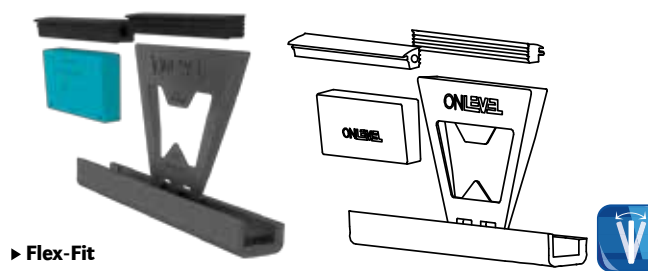
► End cap stairs with cladding

Model: 6021	Aluminium	Outdoor
Code	Side	📦
10.6021.411.11	Left	1
10.6021.461.11	Right	1

NEW!

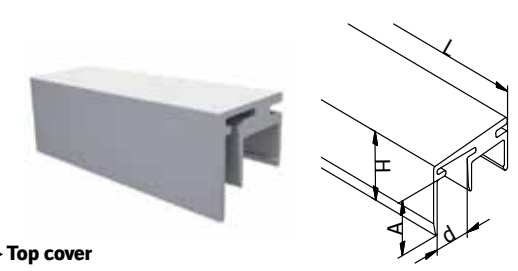
Model: 6021	New Finishes	Outdoor
Code	Finish	📦
10.6021.411.10	Left Raw	1
10.6021.461.10	Right Raw	1
10.6021.411.12	Left Stainless Effect	1
10.6021.461.12	Right Stainless Effect	1
10.6021.411.13	Left Coloured	1
10.6021.461.13	Right Coloured	1

⚠ Please note: If you wish to use the cladding system you will need to order a different set of End caps.



► Flex-Fit

Model: 0502/0505	Rubber	Outdoor		
Code	Colour	Thickness	L	📦
90.0502.112.00	●	12	2500	1
90.0505.112.00	●	12	5000	1
90.0502.113.00	●	12.76	2500	1
90.0505.113.00	●	12.76	5000	1
90.0502.114.00	●	13.52	2500	1
90.0505.114.00	●	13.52	5000	1
90.0505.115.00	●	15	2500	1
90.0505.115.00	●	15	5000	1
90.0502.117.00	●	16.76	2500	1
90.0505.117.00	●	16.76	5000	1
90.0502.118.00	●	17.52	2500	1
90.0505.118.00	●	17.52	5000	1
90.0505.119.00	●	19	2500	1
90.0505.119.00	●	19	5000	1
90.0502.121.00	●	20.76	2500	1
90.0505.121.00	●	20.76	5000	1
90.0502.122.00	●	21.52	2500	1
90.0505.122.00	●	21.52	5000	1



► Top cover

Model: 8030	Aluminium	Outdoor			
Code	d	L	H	A	📦
90.8030.035.11	3	5000	14	10	1
90.8030.105.11	10	5000	20	16	1
90.8030.205.11	20	5000	20	16	1

NEW!

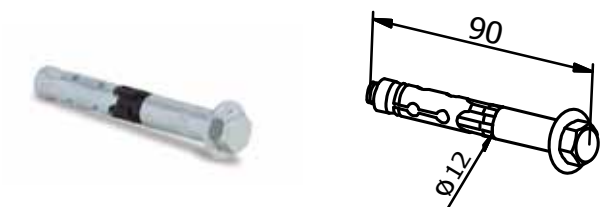
Model: 8030	Raw	Outdoor			
Code	d	L	H	A	📦
90.8030.035.10	3	5000	14	10	1
90.8030.105.10	10	5000	20	16	1
90.8030.205.10	20	5000	20	16	1

NEW!

Model: 8030	Stainless Effect	Outdoor			
Code	d	L	H	A	📦
90.8030.035.12	3	5000	14	10	1
90.8030.105.12	10	5000	20	16	1
90.8030.205.12	20	5000	20	16	1

NEW!

Model: 8030	Coloured	Outdoor			
Code	d	L	H	A	📦
90.8030.035.13	3	5000	14	10	1
90.8030.105.13	10	5000	20	16	1
90.8030.205.13	20	5000	20	16	1



► Mounting anchor

Model: 3521	Zinc-plated	Indoor
Code	Quantity per 2500mm	📦
91.3521.210.81	7/13	25

Model: 3521	AISI 316	Outdoor
Code	Quantity per 2500mm	📦
91.3521.210.30	7/13	25



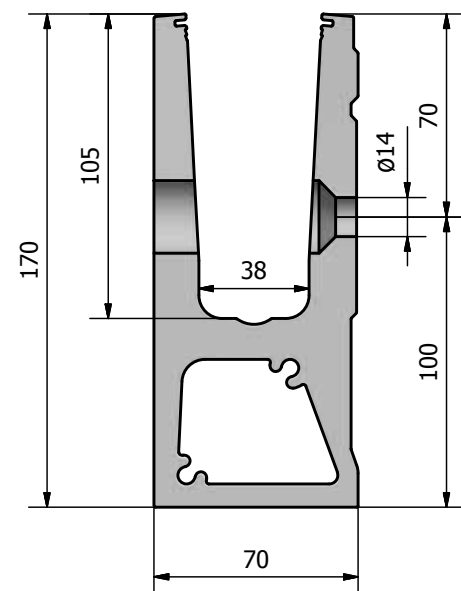
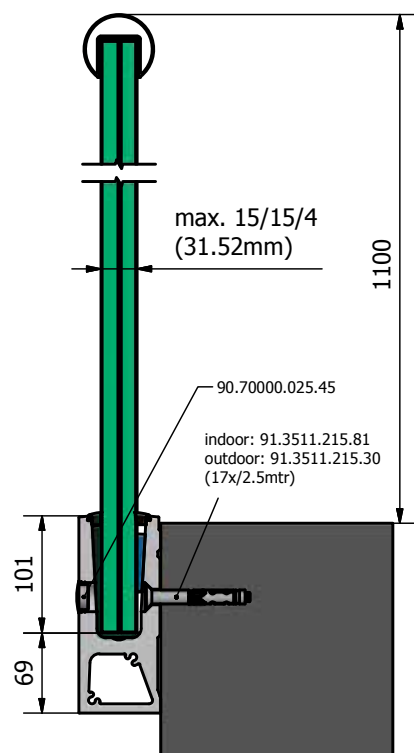
Glass-tec

MODEL TL- 6031 | 3.0kN SIDE MOUNT

- Slender, attractive design and low maintenance
- Flex-Fit assembly system
- Extension pin ducts
- Water drainage openings
- Top cover (optional)
- Integrated torsion box
- Glass thickness range 21.52-31.52mm

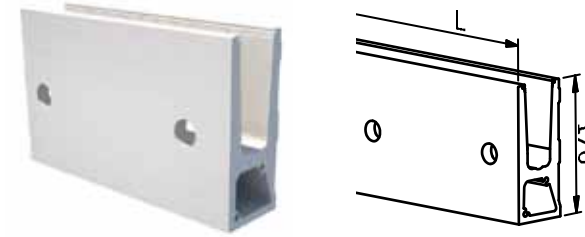
TESTED
according to
BS6180

LUCIDEON
insight creating advantage



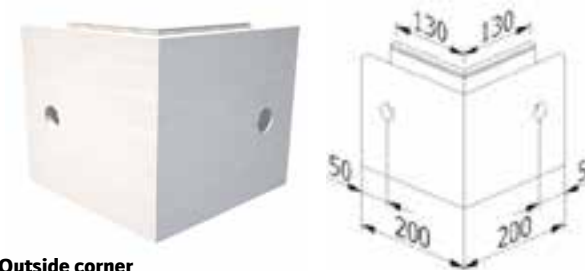
See page 99 for mounting instructions

TL - 6031 | 3.0kN SIDE MOUNT



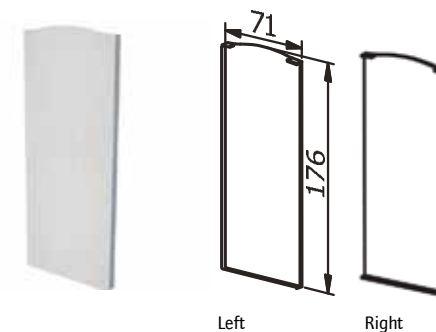
► Glass profile

Model: 6031	Aluminium	Outdoor
Code	L	☐
10.6031.002.11	2500	1



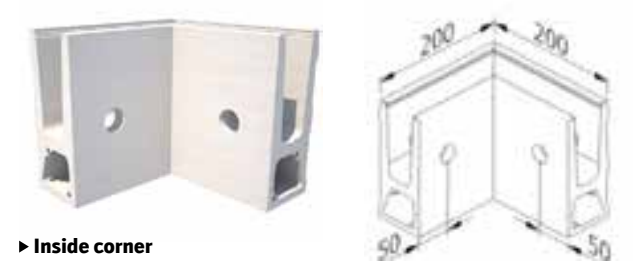
► Outside corner

Model: 6031	Aluminium	Outdoor
Code		☐
10.6031.350.11		1



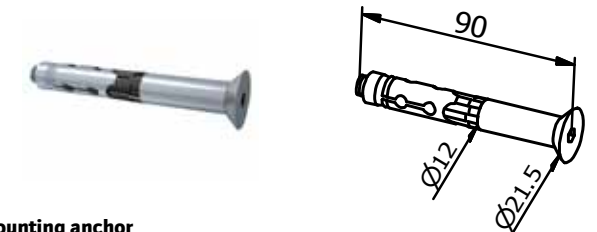
► End cap

Model: 6031	Aluminium	Outdoor
Code	Side	☐
10.6031.400.11	Left	1
10.6031.450.11	Right	1



► Inside corner

Model: 6031	Aluminium	Outdoor
Code		☐
10.6031.300.11		1



► Mounting anchor

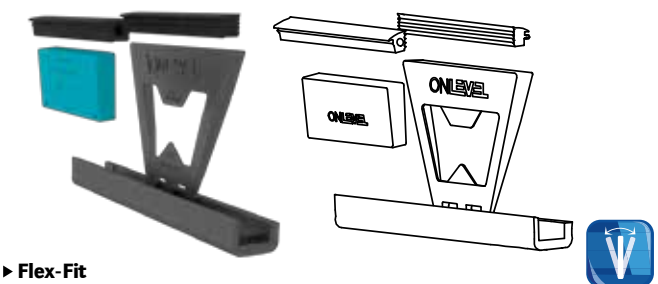
Model: 3511	Zinc-plated	Indoor
Code	Quantity per 2500mm	☐
91.3511.215.81	10	25

Model: 3511	AISI 316	Outdoor
Code	Quantity per 2500mm	☐
91.3511.215.30	10	25



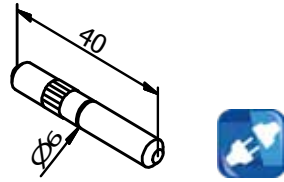
► Cap

Model: 7000	Plastic	Indoor
Code	Colour	☐
90.7000.025.45	Gray	10



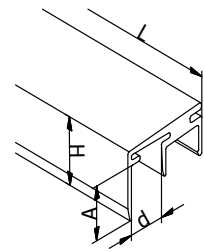
► Flex-Fit

Model: 0502/0505	Rubber	Outdoor		
Code	Colour	Thickness	L	☐
90.0502.322.00	●	21.52	2500	1
90.0505.322.00	●	21.52	5000	1
90.0502.326.00	●	25.52	2500	1
90.0505.326.00	●	25.52	5000	1
90.0502.332.00	●	31.52	2500	1
90.0505.332.00	●	31.52	5000	1



► Extension pin

Model: 7001	AISI 316	Outdoor
Code		
90.7001.640.31		8



► Top cover

Model: 8030	Aluminium	Outdoor			
Code	d	L	H	A	
90.8030.035.11	3	5000	14	10	1
90.8030.105.11	10	5000	20	16	1
90.8030.205.11	20	5000	20	16	1

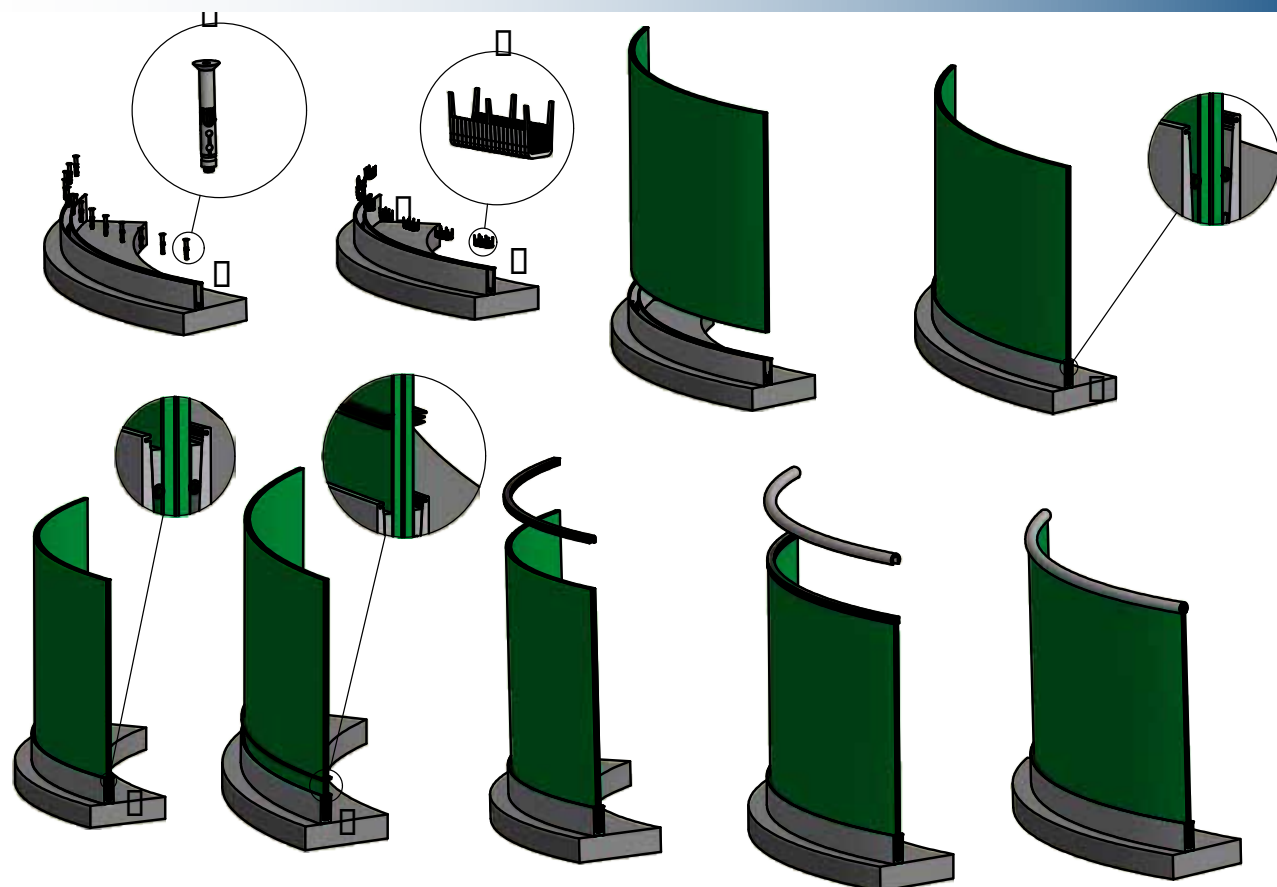




Glass-tec

BENDFIT | TOP AND SIDE MOUNT

- BENDFIT compensates dimensional deviations of up to 2 mm
- Maximum tolerances at +/- 3% – more accurate, impossible
- Enables radii of only 1000 mm
- Profiles can also be used for your own bending procedure
- Added value and increased accuracy by taking into account the bend loss
- No surface damages through bending
- Quality seal with bending certificate

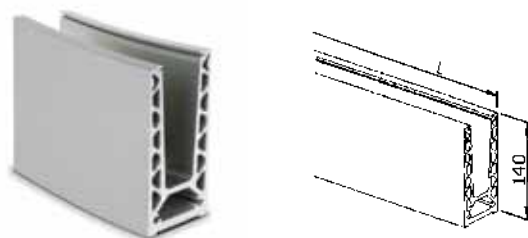


BENDFIT | TOP AND SIDE MOUNT



► Glass profile

Model: 6010	Aluminium	Outdoor
Code	L	☐
10.6010.003.14	3500	1
10.6010.006.14	6000	1



► Glass profile

Model: 6020	Aluminium	Outdoor
Code	L	☐
10.6020.003.14	3500	1
10.6020.006.14	6000	1



► Glass profile

Model: 6021	Aluminium	Outdoor
Code	L	☐
10.6021.003.14	3500	1
10.6021.006.14	6000	1



► Bend-Fit mortar

Model: 0200	Outdoor
Code	☐
90.0200.000.00	500 ml 1

Overview Bend-Fit mortar

	Metre per mortar (packaging of 500 ml) per glass thickness										
Glass thickness in mm	12	12.76	13.52	15	16.76	17.52	19	20.76	21.52	25.52	31.52
Mortar coverage	0.45 mtr	0.45 mtr	0.45 mtr	0.50 mtr	0.55 mtr	0.60 mtr	0.65 mtr	0.75 mtr	0.75 mtr	0.55 mtr	0.80 mtr



► Bend-Fit

Model: 0202/0205	Rubber	Outdoor
Code	Colour Thickness L	☐
90.0202.112.00	● 12-13.5 2500	1
90.0205.112.00	● 12-13.5 5000	1
90.0225.112.00	● 12-13.5 25000	1
90.0202.116.00	● 15-17.5 2500	1
90.0205.116.00	● 15-17.5 5000	1
90.0225.116.00	● 15-17.5 25000	1
90.0202.120.00	● 19-21.5 2500	1
90.0205.120.00	● 19-21.5 5000	1
90.0225.120.00	● 19-21.5 25000	1



► Bend-Fit dispensing device

Model: 0200	Outdoor
Code	☐
90.0200.000.10	1



► Bend-Fit mixer

Model: 0200	Outdoor
Code	☐
90.0200.000.20	1





Glass-tec

MODEL TL-4010 | 1.5kN TOP MOUNT

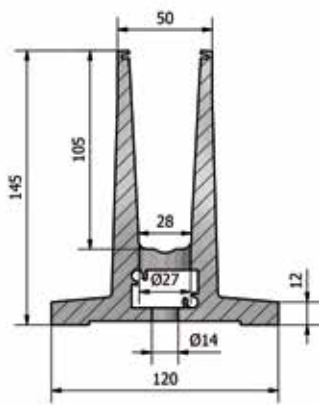
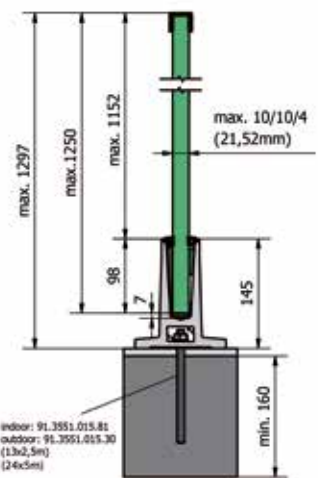
- Reduced costs - larger drilling distances
- Increased stability
- Also suitable for use as wind shield
- High precision fit due to connecting pins
- Top cover (optional)
- Glass thickness range 12-21.52mm



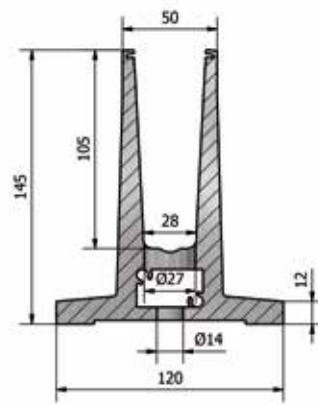
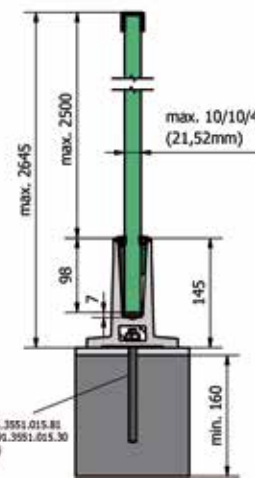
NEW PRODUCTS NEW POSSIBILITIES

Raw Finish .10 **NEW** Aluminium Anodised Finish .11 Stainless Effect Finish .12 **NEW** Coloured Finish .13 **NEW**

Balustrade:

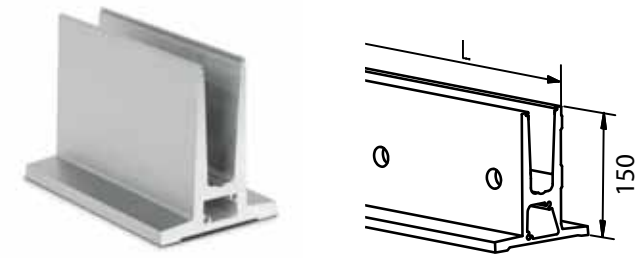


Windscreen:



See page 104 for mounting instructions

TL - 4010 | 1.5KN TOP MOUNT

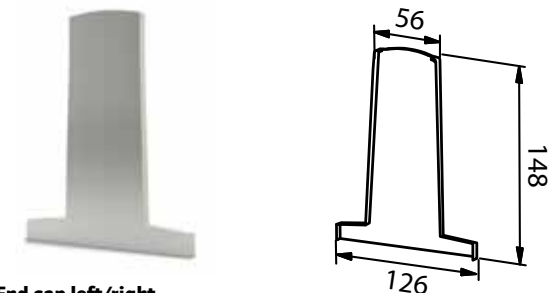


► Glass profile

Model: 4010	Aluminium	Outdoor
Code	L	☑
10.4010.002.11	2500	1
10.4010.005.11	5000	1

NEW!

Model: 4010	New Finishes	Outdoor	
Code	L	Finish	☑
10.4010.005.10	5000	Raw	1
10.4010.005.12	5000	Stainless Effect	1
10.4010.005.13	5000	Coloured	1



► End cap left/right

Model: 4010	Aluminium	Outdoor
Code		☑
10.4010.490.11		1

NEW!

Model: 4010	New Finishes	Outdoor	
Code		Finish	☑
10.4010.490.10		Raw	1
10.4010.490.12		Stainless Effect	1
10.4010.490.13		Coloured	1



► Mounting anchor

Model: 3551	Zinc-plated	Indoor
Code	Quantity per 2500mm	☑
91.3551.015.81	13	20

Model: 3551	AISI 316	Outdoor
Code	Quantity per 2500mm	☑
91.3551.015.30	13	20

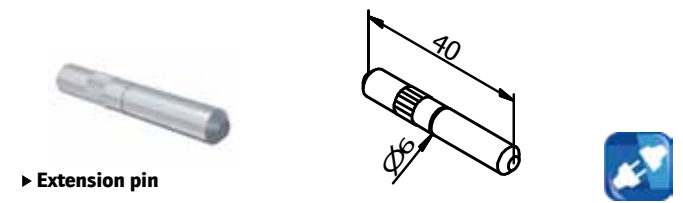


► Inside /Outside corner

Model: 4010	Aluminium	Outdoor
Code		☑
10.4010.300.11		1

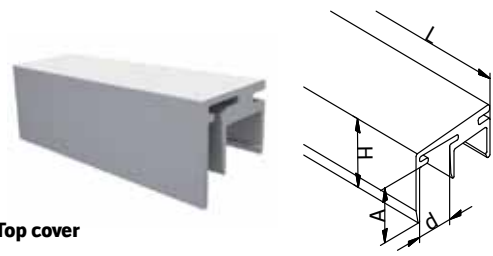
NEW!

Model: 4010	New Finishes	Outdoor	
Code		Finish	☑
10.4010.300.10		Raw	1
10.4010.300.12		Stainless Effect	1
10.4010.300.13		Coloured	1



► Extension pin

Model: 7001	AISI 316	Outdoor
Code		☑
90.7001.640.31		8



► Top cover

Model: 8010		Aluminium				Outdoor
Code	d	L	H	A		
90.8010.035.11	3	5000	14	10	1	
90.8010.105.11	10	5000	20	16	1	
90.8010.155.11	15	5000	20	16	1	
90.8010.205.11	20	5000	20	16	1	
90.8011.205.11	120	5000	20	16	1	

NEW!

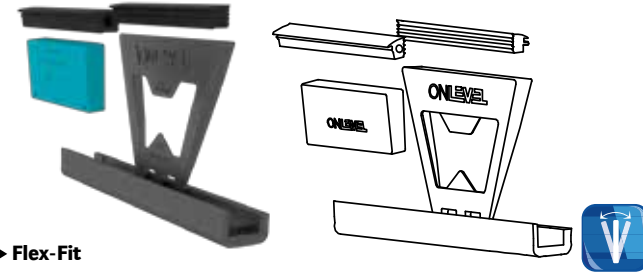
Model: 8010		Raw				Outdoor
Code	d	L	H	A		
90.8010.035.10	3	5000	14	10	1	
90.8010.105.10	10	5000	20	16	1	
90.8010.155.10	15	5000	20	16	1	
90.8010.205.10	20	5000	20	16	1	
90.8011.205.10	120	5000	20	16	1	

NEW!

Model: 8010		Stainless Effect				Outdoor
Code	d	L	H	A		
90.8010.035.12	3	5000	20	16	1	
90.8010.105.12	10	5000	14	10	1	
90.8010.155.12	15	5000	20	16	1	
90.8010.205.12	20	5000	20	16	1	
90.8011.205.12	120	5000	20	16	1	

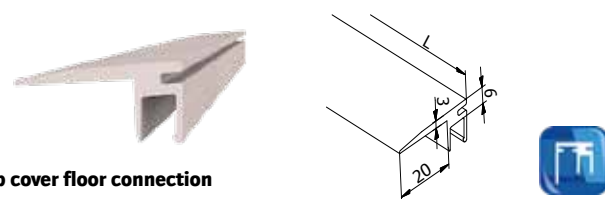
NEW!

Model: 8010		Coloured				Outdoor
Code	d	L	H	A		
90.8010.035.13	3	5000	14	10	1	
90.8010.105.13	10	5000	14	10	1	
90.8010.155.13	15	5000	20	16	1	
90.8010.205.13	20	5000	20	16	1	
90.8011.205.13	120	5000	20	16	1	



► Flex-Fit

Model: 0502/0505		Rubber		Outdoor	
Code	Colour	Thickness	L		
90.0502.112.00	●	12	2500	1	
90.0505.112.00	●	12	5000	1	
90.0502.113.00	●	12.76	2500	1	
90.0505.113.00	●	12.76	5000	1	
90.0502.114.00	●	13.52	2500	1	
90.0505.114.00	●	13.52	5000	1	
90.0505.115.00	●	15	2500	1	
90.0505.115.00	●	15	5000	1	
90.0502.117.00	●	16.76	2500	1	
90.0505.117.00	●	16.76	5000	1	
90.0502.118.00	●	17.52	2500	1	
90.0505.118.00	●	17.52	5000	1	
90.0505.119.00	●	19	2500	1	
90.0505.119.00	●	19	5000	1	
90.0502.121.00	●	20.76	2500	1	
90.0505.121.00	●	20.76	5000	1	
90.0502.122.00	●	21.52	2500	1	
90.0505.122.00	●	21.52	5000	1	



► Top cover floor connection

Model: 8110		Aluminium		Outdoor
Code	L			
90.8110.205.11	5000	1		

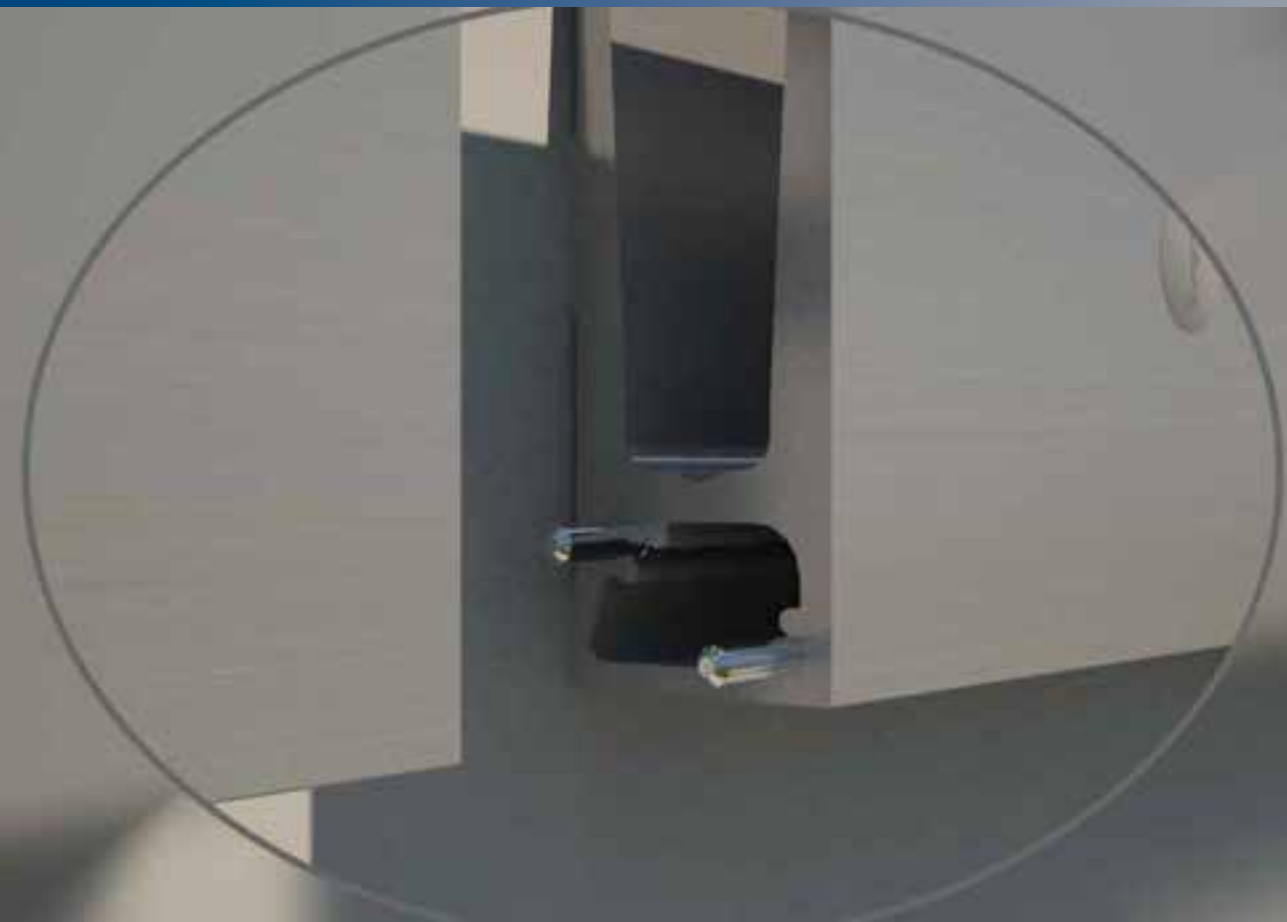
NEW!

Model: 8110		New Finishes		Outdoor
Code	L	Finish		
90.8110.205.10	5000	Raw	1	
90.8110.205.12	5000	Stainless Effect	1	
90.8110.205.13	5000	Coloured	1	



Extension pin

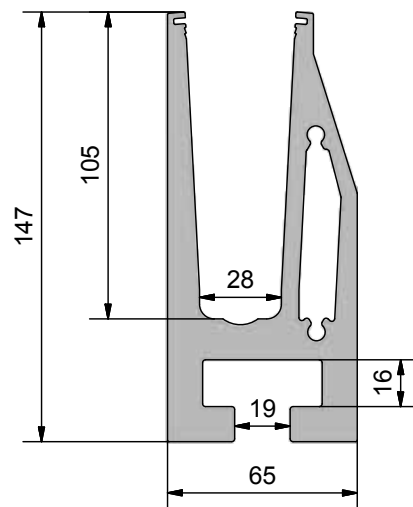
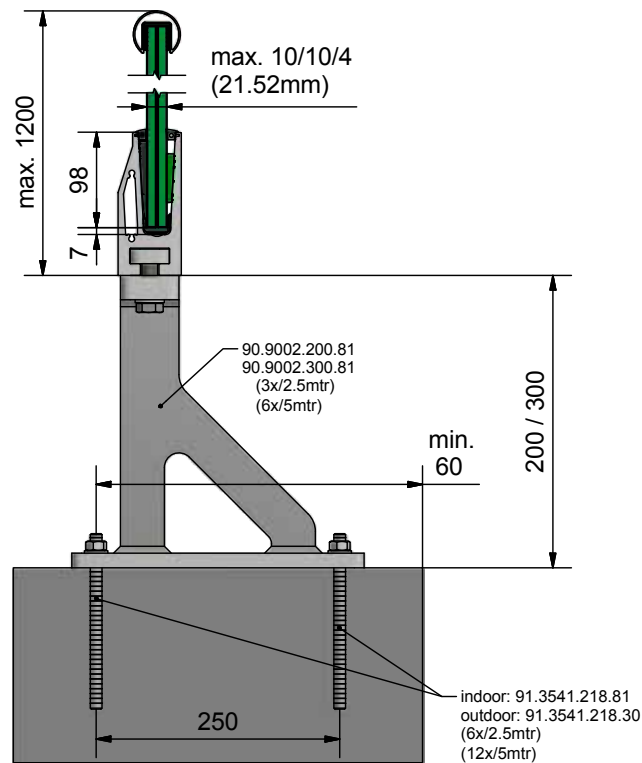
The OnLevel extension pin is the perfect solution to create a seamless connection. It is easy to assemble and simply has to be tapped in. It is made from high-quality 316 stainless steel, which makes it suitable for both indoor and outdoor use. It can be ordered under Code 90.7001.640.31. (Please see the extension pin logo on the profile for possible use).



Glass-tec

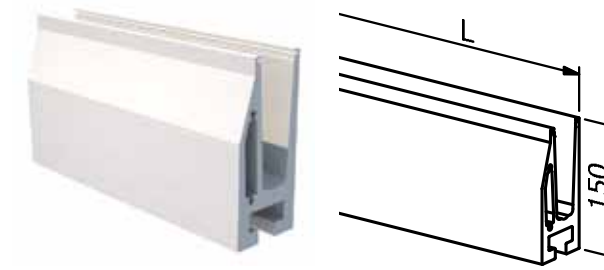
MODEL TL-5010 | TOP MOUNT

- Slender, attractive design and low maintenance
- Flex-Fit assembly system
- Extension pin ducts
- Water drainage openings
- Suitable for roof assembly
- Integrated torsion box
- Glass thickness range 12-21.52mm



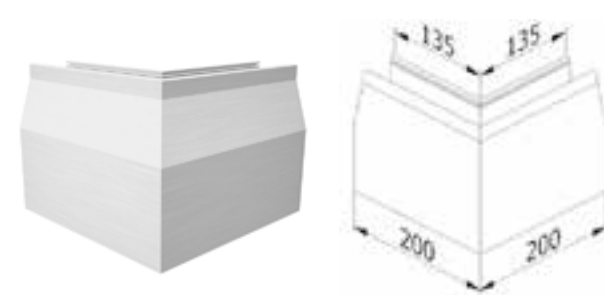
See page 105 for mounting instructions

TL - 5010 | TOP MOUNT



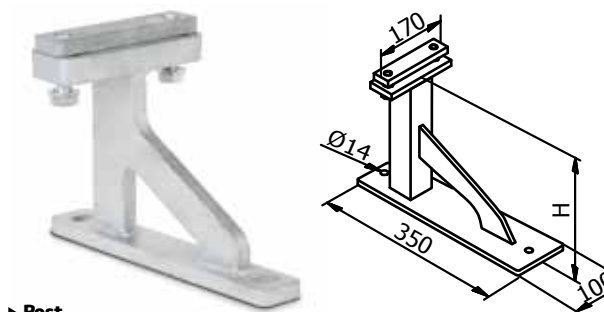
► Glass profile

Model: 5010	Aluminium	Outdoor
Code	L	☒
10.5010.002.11	2500	1
10.5010.005.11	5000	1



► Outside corner

Model: 5010	Aluminium	Outdoor
Code		☒
10.5010.350.11		1



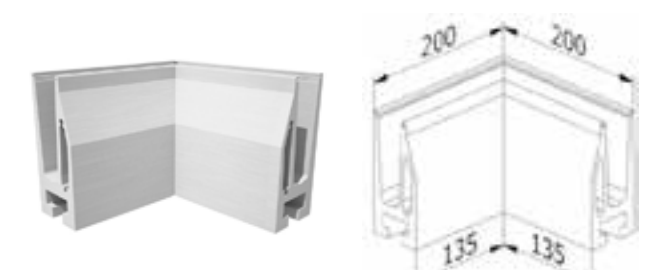
► Post

Model: 9002	Zinc-plated	Outdoor
Code	H	☒
90.9002.200.81	200	1
90.9002.300.81	300	1



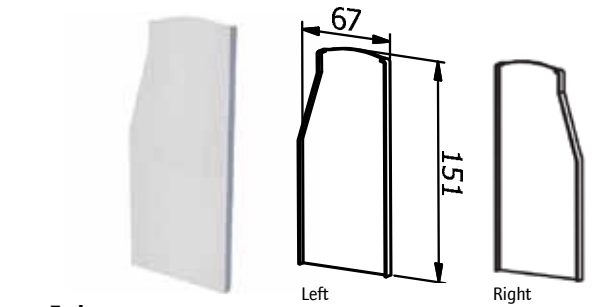
► Mounting anchor

Model: 3541	Zinc-plated	Indoor
Code		☒
91.3541.218.81		20
Model: 3541	AISI 316	Outdoor
Code		☒
91.3541.218.30		20



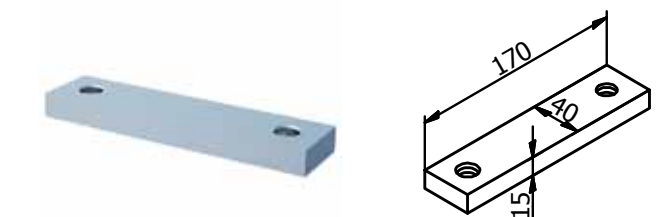
► Inside corner

Model: 5010	Aluminium	Outdoor
Code		☒
10.5010.300.11		1



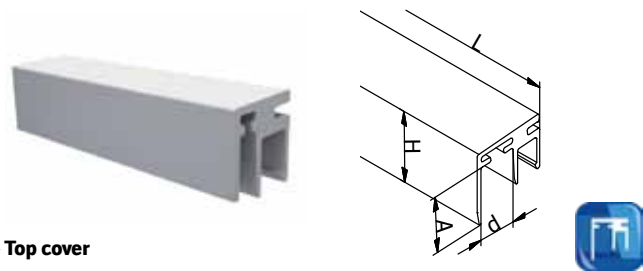
► End cap

Model: 5010	Aluminium	Outdoor
Code	Side	☒
10.5010.400.11	Left	1
10.5010.450.11	Right	1



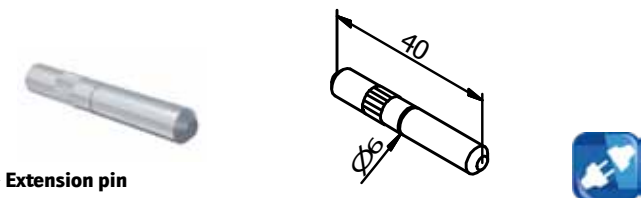
► Mounting bar

Model: 7004	Zinc-plated	Outdoor
Code		☒
90.7004.170.81		4



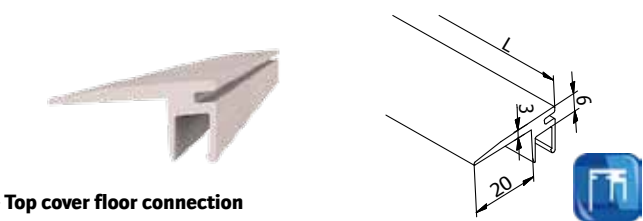
► Top cover

Model: 8010	Aluminium				Outdoor
Code	d	L	H	A	☐
90.8010.035.11	3	5000	14	10	1
90.8010.105.11	10	5000	20	16	1
90.8010.205.11	20	5000	20	16	1
90.8011.205.11	120	5000	20	16	1



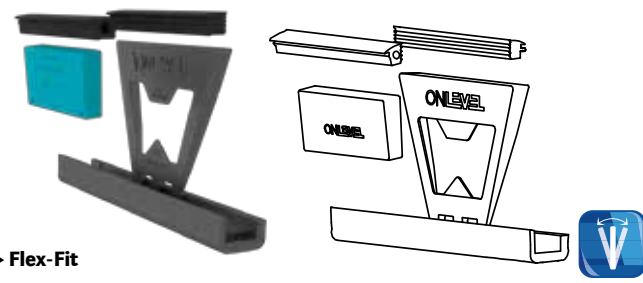
► Extension pin

Model: 7001	AISI 316	Outdoor
Code		☐
90.7001.640.31		8



► Top cover floor connection

Model: 8110	Aluminium	Outdoor
Code	L	☐
90.8110.205.11	5000	1



► Flex-Fit

Model: 0502/0505	Rubber		Outdoor	
Code	Colour	Thickness	L	☐
90.0502.112.00	●	12	2500	1
90.0505.112.00	●	12	5000	1
90.0502.113.00	●	12.76	2500	1
90.0505.113.00	●	12.76	5000	1
90.0502.114.00	●	13.52	2500	1
90.0505.114.00	●	13.52	5000	1
90.0505.115.00	●	15	2500	1
90.0505.115.00	●	15	5000	1
90.0502.117.00	●	16.76	2500	1
90.0505.117.00	●	16.76	5000	1
90.0502.118.00	●	17.52	2500	1
90.0505.118.00	●	17.52	5000	1
90.0505.119.00	●	19	2500	1
90.0505.119.00	●	19	5000	1
90.0502.121.00	●	20.76	2500	1
90.0505.121.00	●	20.76	5000	1
90.0502.122.00	●	21.52	2500	1
90.0505.122.00	●	21.52	5000	1



Longer attachment distances

OnLevel assembles and innovates. This innovation involves taking a good look at the product as a whole. Besides safety, design and quality the assembly costs also play an important role. One of the ways of reducing the assembly costs is to minimize the number of anchoring points the glass profile requires. Each anchor which can be saved means that one less hole has to be drilled, of course stability still has to be guaranteed. To achieve this OnLevel has developed an integrated torsion box which combines these two properties. (Please see the longer drilling distance logo on the profile for possible use).





Glass-tec

MODEL TL-3010 | 0.74kN TOP MOUNT

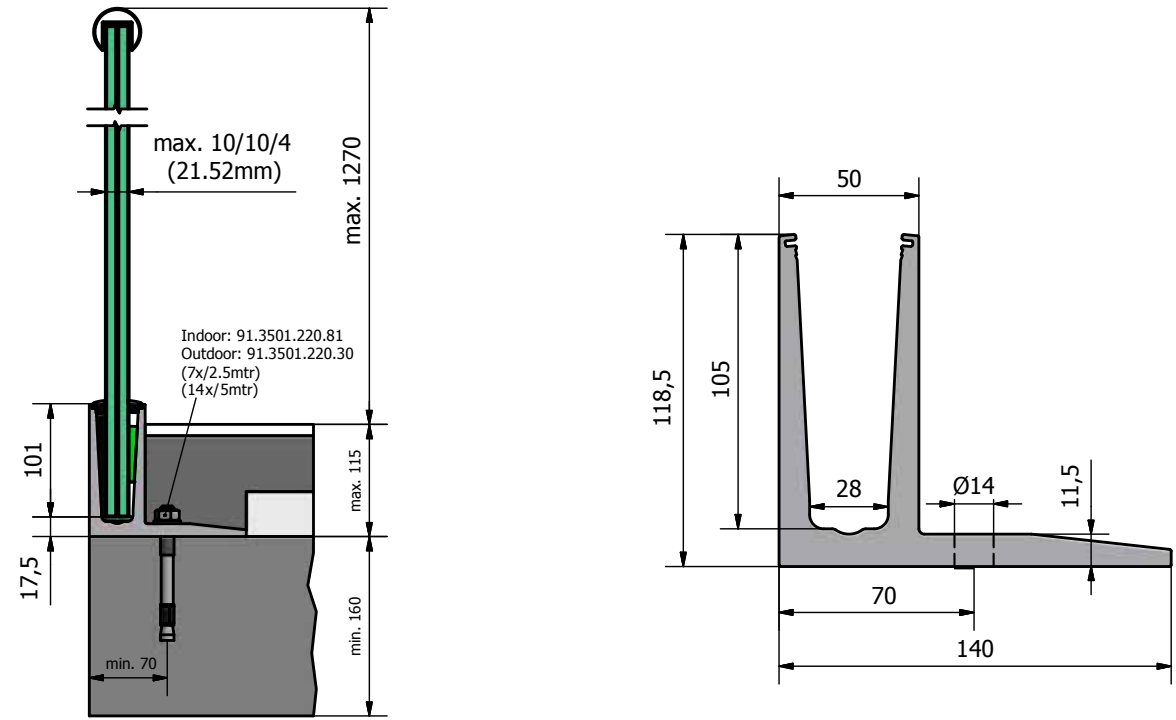
- Slender, attractive design and low maintenance
- Flex-Fit assembly system
- Water drainage openings
- Top cover (optional)
- Glass thickness range 12-21.52mm

TESTED according to **BS6180** LUCIDEON insight creating advantages

EN1090-1

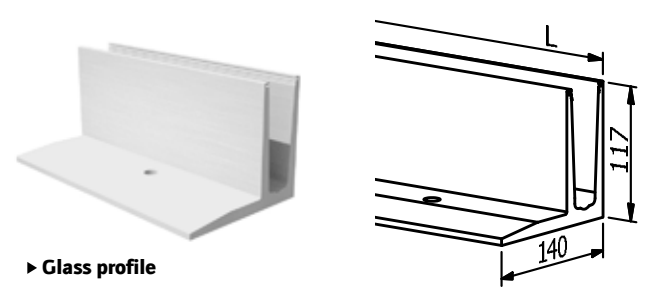
NEW PRODUCTS NEW POSSIBILITIES

Raw Finish .10 **NEW** Aluminium Anodised Finish .11 Stainless Effect Finish .12 **NEW** Coloured Finish .13 **NEW**



See page 100 for mounting instructions

TL - 3010 | 0.74KN TOP MOUNT

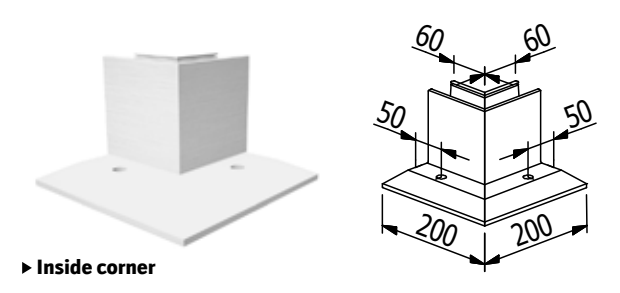


► Glass profile

Model: 3010	Aluminium	Outdoor
Code	L	☐
10.3010.002.11	2500	1
10.3010.005.11	5000	1

NEW!

Model: 3010	New Finishes	Outdoor	
Code	L	Finish	☐
10.3010.005.10	5000	Raw	1
10.3010.005.12	5000	Stainless Effect	1
10.3010.005.13	5000	Coloured	1

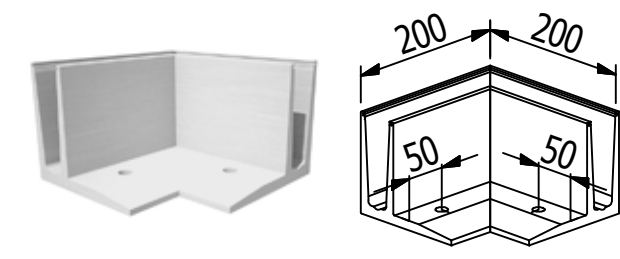


► Inside corner

Model: 3010	Aluminium	Outdoor
Code		☐
10.3010.300.11		1

NEW!

Model: 3010	New Finishes	Outdoor
Code	Finish	☐
10.3010.300.10	Raw	1
10.3010.300.12	Stainless Effect	1
10.3010.300.13	Coloured	1

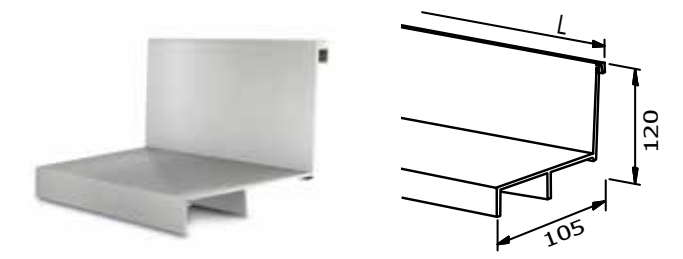


► Outside corner

Model: 3010	Aluminium	Outdoor
Code		☐
10.3010.350.11		1

NEW!

Model: 3010	New Finishes	Outdoor
Code	Finish	☐
10.3010.350.10	Raw	1
10.3010.350.12	Stainless Effect	1
10.3010.350.13	Coloured	1

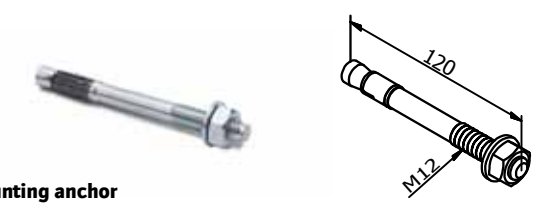


► Cover strip

Model: 3010	Aluminium	Outdoor
Code	L	☐
10.3010.205.11	5000	1

NEW!

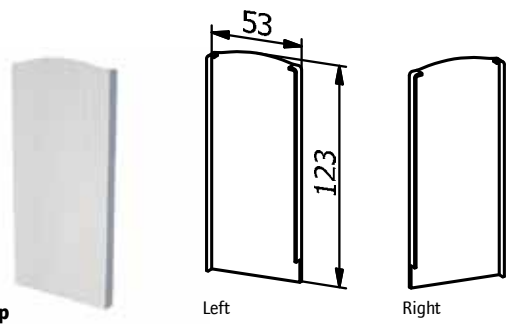
Model: 3010	New Finishes	Outdoor	
Code	L	Finish	☐
10.3010.205.10	5000	Raw	1
10.3010.205.12	5000	Stainless Effect	1
10.3010.205.13	5000	Coloured	1



► Mounting anchor

Model: 3501	Zinc-plated	Indoor
Code	Quantity per 2500mm	☐
91.3501.220.81	7	20

Model: 3501	AISI 316	Outdoor
Code	Quantity per 2500mm	☐
91.3501.220.30	7	20

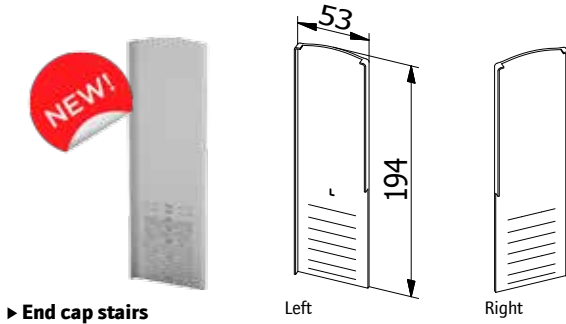


► End cap

Model: 3010		Aluminium	Outdoor
Code	Side		
10.3010.400.11	Left		1
10.3010.450.11	Right		1

NEW!

Model: 3010		New Finishes	Outdoor
Code	Side	Finish	
10.3010.400.10	Left	Raw	1
10.3010.450.10	Right	Raw	1
10.3010.400.12	Left	Stainless Effect	1
10.3010.450.12	Right	Stainless Effect	1
10.3010.400.13	Left	Coloured	1
10.3010.450.13	Right	Coloured	1



► End cap stairs

Model: 3010		Aluminium	Outdoor
Code	Side		
10.3010.401.11	Left		1
10.3010.451.11	Right		1

NEW!

Model: 3010		New Finishes	Outdoor
Code	Side	Finish	
10.3010.401.10	Left	Raw	1
10.3010.451.10	Right	Raw	1
10.3010.401.12	Left	Stainless Effect	1
10.3010.451.12	Right	Stainless Effect	1
10.3010.401.13	Left	Coloured	1
10.3010.451.13	Right	Coloured	1

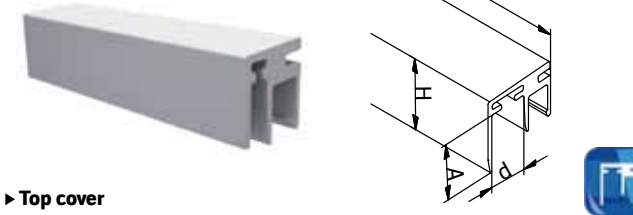


► Top cover floor connection

Model: 8110		Aluminium	Outdoor
Code	L		
90.8110.205.11	5000		1

NEW!

Model: 8110		New Finishes	Outdoor
Code	L	Finish	
90.8110.205.10	5000	Raw	1
90.8110.205.12	5000	Stainless Effect	1
90.8110.205.13	5000	Coloured	1



► Top cover

Model: 8010		Aluminium			Outdoor
Code	d	L	H	A	
90.8010.035.11	3	5000	14	10	1
90.8010.105.11	10	5000	20	16	1
90.8010.205.11	20	5000	20	16	1
90.8011.205.11	120	5000	20	16	1

NEW!

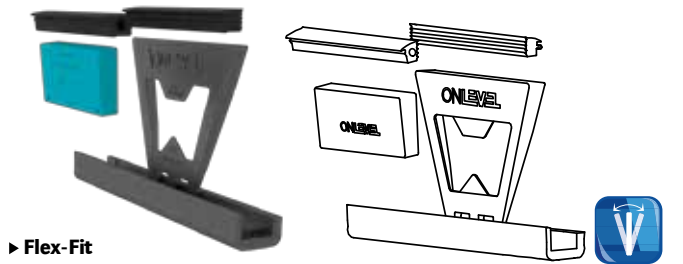
Model: 8010		Raw			Outdoor
Code	d	L	H	A	
90.8010.035.10	3	5000	14	10	1
90.8010.105.10	10	5000	20	16	1
90.8010.205.10	20	5000	20	16	1
90.8011.205.10	120	5000	20	16	1

NEW!

Model: 8010		Stainless Effect			Outdoor
Code	d	L	H	A	
90.8010.035.12	3	5000	14	10	1
90.8010.105.12	10	5000	20	16	1
90.8010.205.12	20	5000	20	16	1
90.8011.205.12	120	5000	20	16	1

NEW!

Model: 8010		Coloured			Outdoor
Code	d	L	H	A	
90.8010.035.13	3	5000	14	10	1
90.8010.105.13	10	5000	20	16	1
90.8010.205.13	20	5000	20	16	1
90.8011.205.13	120	5000	20	16	1



► Flex-Fit

Model: 0502/0505		Rubber		Outdoor
Code	Colour	Thickness	L	
90.0502.112.00	Black	12	2500	1
90.0505.112.00	Black	12	5000	1
90.0502.113.00	Red	12.76	2500	1
90.0505.113.00	Red	12.76	5000	1
90.0502.114.00	Grey	13.52	2500	1
90.0505.114.00	Grey	13.52	5000	1
90.0505.115.00	Blue	15	2500	1
90.0505.115.00	Blue	15	5000	1
90.0502.117.00	Red	16.76	2500	1
90.0505.117.00	Red	16.76	5000	1
90.0502.118.00	Green	17.52	2500	1
90.0505.118.00	Green	17.52	5000	1
90.0505.119.00	Yellow	19	2500	1
90.0505.119.00	Yellow	19	5000	1
90.0502.121.00	Red	20.76	2500	1
90.0505.121.00	Red	20.76	5000	1
90.0502.122.00	Green	21.52	2500	1
90.0505.122.00	Green	21.52	5000	1



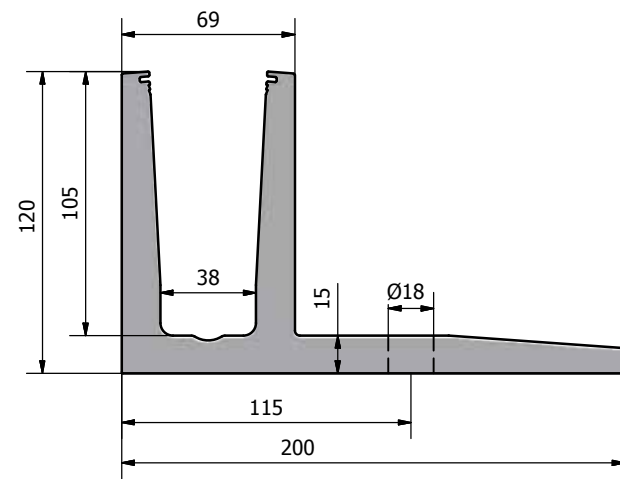
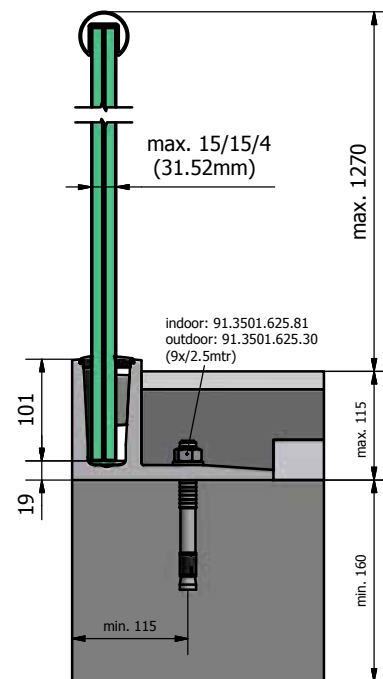
Glass-tec

MODEL TL-3030 | 3.0KN TOP MOUNT

- Slender, attractive design and low maintenance
- Flex-Fit assembly system
- Water drainage openings
- Top cover (optional)
- Glass thickness range 21.52-31.52mm

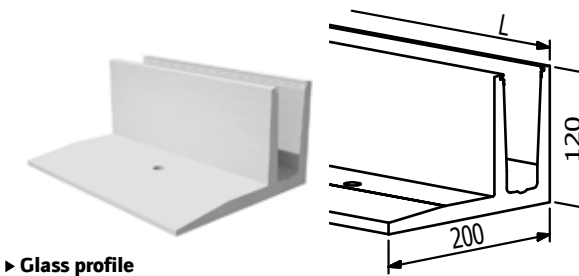
TESTED according to BS6180

LUCIDEON insight creating advantage



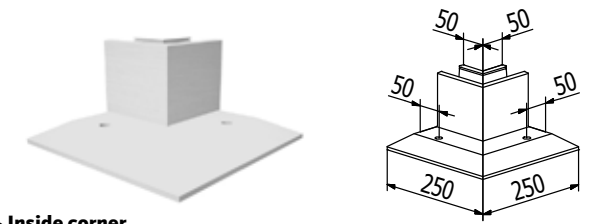
See page 101 for mounting instructions

TL - 3030 | 3.0KN TOP MOUNT



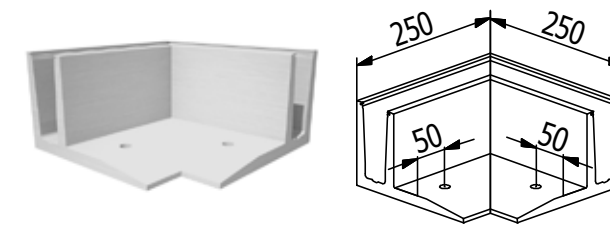
► Glass profile

Model: 3030	Aluminium	Outdoor
Code	L	☐
10.3030.002.11	2500	1



► Inside corner

Model: 3030	Aluminium	Outdoor
Code		☐
10.3030.300.11		1



► Outside corner

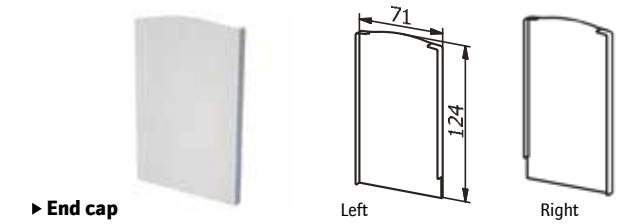
Model: 3030	Aluminium	Outdoor
Code		☐
10.3030.350.11		1



► Mounting anchor

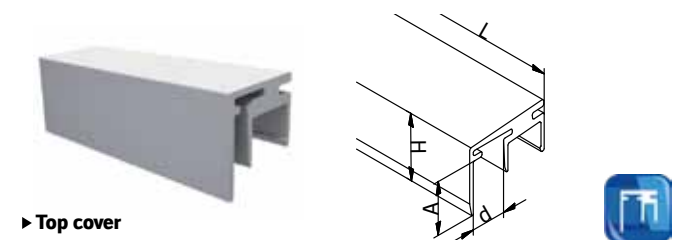
Model: 3501	Zinc-plated	Indoor
Code	Quantity per 2500mm	☐
91.3501.625.81	9	10

Model: 3501	AISI 316	Outdoor
Code	Quantity per 2500mm	☐
91.3501.625.30	9	10



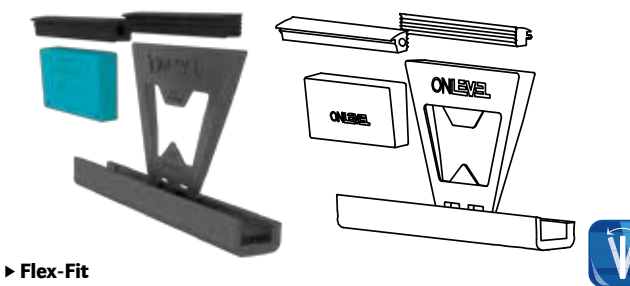
► End cap

Model: 3030	Aluminium	Outdoor
Code	Side	☐
10.3030.400.11	Left	1
10.3030.450.11	Right	1



► Top cover

Model: 8030	Aluminium	Outdoor
Code	d L H A	☐
90.8030.035.11	3 5000 14 10	1
90.8030.105.11	10 5000 20 16	1
90.8030.205.11	20 5000 20 16	1



► Flex-Fit

Model: 0502/0505	Rubber	Outdoor
Code	Colour Thickness L	☐
90.0502.322.00	● 21.52 2500	1
90.0505.322.00	● 21.52 5000	1
90.0502.326.00	● 25.52 2500	1
90.0505.326.00	● 25.52 5000	1
90.0502.332.00	● 31.52 2500	1
90.0505.332.00	● 31.52 5000	1



Glass-tec

MODEL TL-3011 | 0.74kN SIDE MOUNT

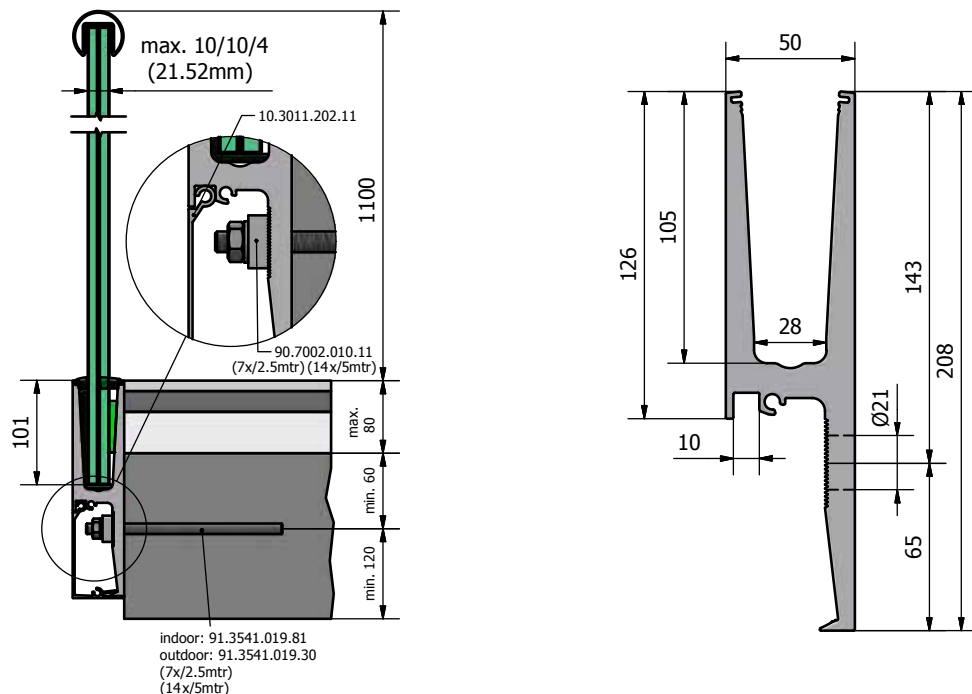
- Slender, attractive design and low maintenance
- Flex-Fit assembly system
- Extension pin ducts
- Water drainage holes
- Top cover (optional)
- Glass thickness range 12-21.52mm

TESTED according to **BS6180** LUCIDEON insight crafting advantage



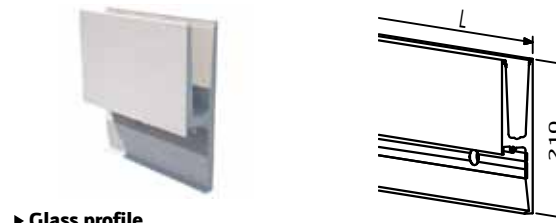
Raw **NEW** Aluminium Anodised Finish .10 Stainless Effect **NEW** Coloured **NEW** Finish .11 Finish .12 Finish .13

NEW PRODUCTS NEW POSSIBILITIES



See page 102 for mounting instructions

TL - 3011 | 0.74kN SIDE MOUNT

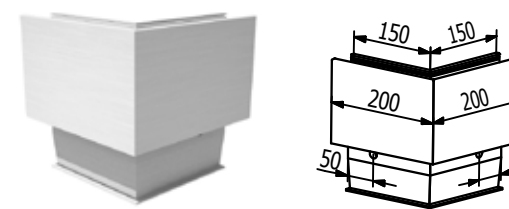


► Glass profile

Model: 3011	Aluminium	Outdoor
Code	L	☐
10.3011.002.11	2500	1
10.3011.005.11	5000	1

NEW

Model: 3011	New Finishes	Outdoor
Code	L Finish	☐
10.3011.005.10	5000 Raw	1
10.3011.005.12	5000 Stainless Effect	1
10.3011.005.13	5000 Coloured	1

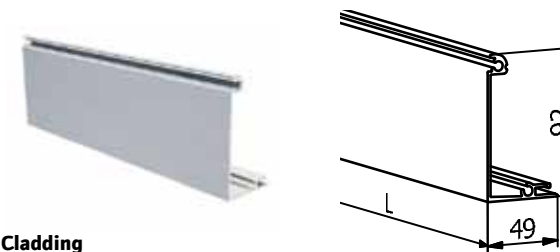


► Outside corner

Model: 3011	Aluminium	Outdoor
Code		☐
10.3011.350.11		1

NEW

Model: 3011	New Finishes	Outdoor
Code	Finish	☐
10.3011.350.10	Raw	1
10.3011.350.12	Stainless Effect	1
10.3011.350.13	Coloured	1

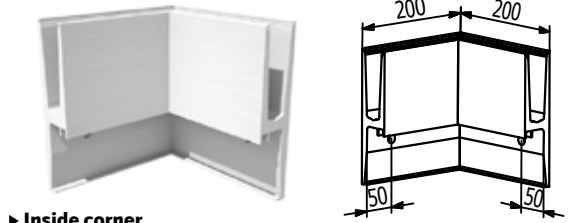


► Cladding

Model: 3011	Aluminium	Outdoor
Code	L	☐
10.3011.202.11	2500	1
10.3011.205.11	5000	1

NEW

Model: 3011	New Finishes	Outdoor
Code	L Finish	☐
10.3011.205.10	5000 Raw	1
10.3011.205.12	5000 Stainless Effect	1
10.3011.205.13	5000 Coloured	1

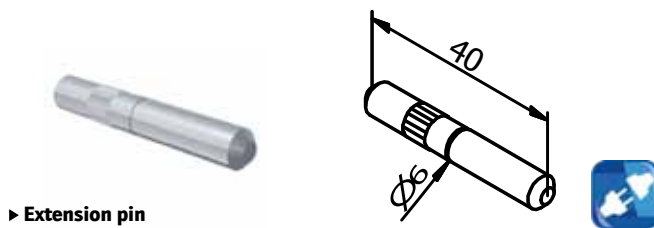


► Inside corner

Model: 3011	Aluminium	Outdoor
Code		☐
10.3011.300.11		1

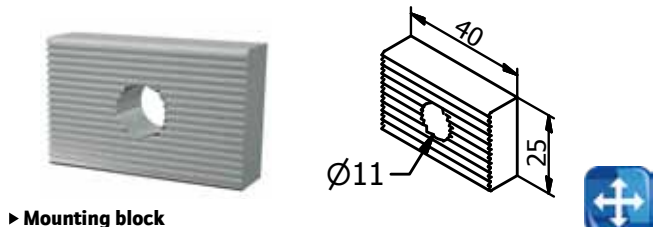
NEW

Model: 3011	New Finishes	Outdoor
Code	Finish	☐
10.3011.300.10	Raw	1
10.3011.300.12	Stainless Effect	1
10.3011.300.13	Coloured	1



► Extension pin

Model: 7001	AISI 316	Outdoor
Code		☐
90.7001.640.31		8



► Mounting block

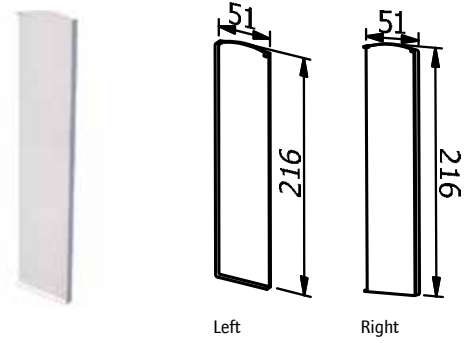
Model: 7002	Aluminium	Outdoor
Code		☐
90.7002.010.11		8



► Mounting anchor

Model: 3541	Zinc-plated	Indoor
Code		☐
91.3541.019.81		10

Model: 3541	AISI 316	Outdoor
Code		☐
91.3541.019.30		10

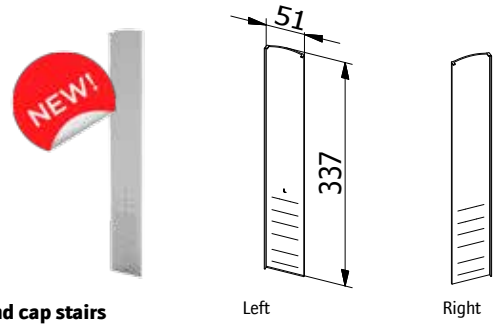


► End cap

Model: 3011	Aluminium	Outdoor
Code	Side	
10.3011.410.11	Left	1
10.3011.460.11	Right	

NEW!

Model: 3011	New Finishes	Outdoor
Code	Finish	
10.3011.410.10	Left Raw	1
10.3011.460.10	Right Raw	1
10.3011.410.12	Left Stainless Effect	1
10.3011.460.12	Right Stainless Effect	1
10.3011.410.13	Left Coloured	1
10.3011.460.13	Right Coloured	1

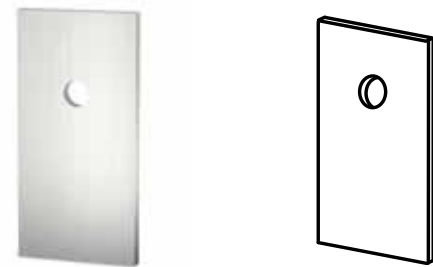


► End cap stairs

Model: 3011	Aluminium	Outdoor
Code	Side	
10.3011.411.11	Left	1
10.3011.461.11	Right	

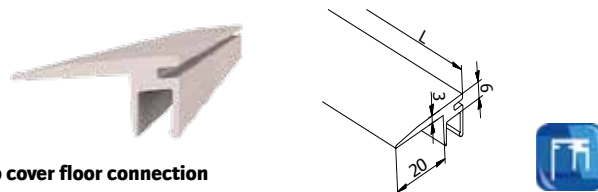
NEW!

Model: 3011	New Finishes	Outdoor
Code	Finish	
10.3011.411.10	Left Raw	1
10.3011.461.10	Right Raw	1
10.3011.411.12	Left Stainless Effect	1
10.3011.461.12	Right Stainless Effect	1
10.3011.411.13	Left Coloured	1
10.3011.461.13	Right Coloured	1



► Spacer plate

Model: 3011	Aluminium	Outdoor
Code		
10.3011.500.11		1

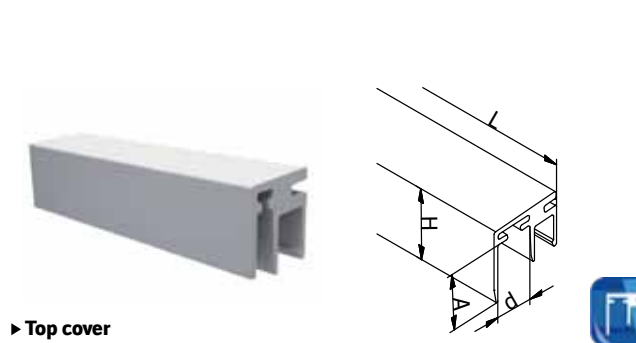


► Top cover floor connection

Model: 8110	Aluminium	Outdoor
Code	L	
90.8110.205.11	5000	1

NEW!

Model: 8110	New Finishes	Outdoor	
Code	L	Finish	
90.8110.205.10	5000	Raw	1
90.8110.205.12	5000	Stainless Effect	1
90.8110.205.13	5000	Coloured	1



► Top cover

Model: 8010	Aluminium	Outdoor			
Code	d	L	H	A	
90.8010.035.11	3	5000	14	10	1
90.8010.105.11	10	5000	20	16	1
90.8010.205.11	20	5000	20	16	1
90.8011.205.11	120	5000	20	16	1

NEW!

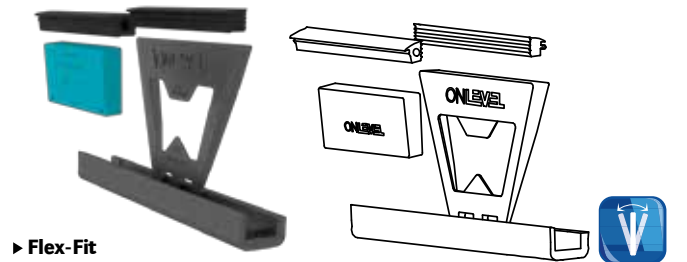
Model: 8010	Raw	Outdoor			
Code	d	L	H	A	
90.8010.035.10	3	5000	14	10	1
90.8010.105.10	10	5000	20	16	1
90.8010.205.10	20	5000	20	16	1
90.8011.205.10	120	5000	20	16	1

NEW!

Model: 8010	Stainless Effect	Outdoor			
Code	d	L	H	A	
90.8010.035.12	3	5000	14	10	1
90.8010.105.12	10	5000	20	16	1
90.8010.205.12	20	5000	20	16	1
90.8011.205.12	120	5000	20	16	1

NEW!

Model: 8010	Coloured	Outdoor			
Code	d	L	H	A	
90.8010.035.13	3	5000	14	10	1
90.8010.105.13	10	5000	20	16	1
90.8010.205.13	20	5000	20	16	1
90.8011.205.13	120	5000	20	16	1



► Flex-Fit

Model: 0502/0505	Rubber	Outdoor		
Code	Colour	Thickness	L	
90.0502.112.00	Black	12	2500	1
90.0505.112.00	Black	12	5000	1
90.0502.113.00	Red	12.76	2500	1
90.0505.113.00	Red	12.76	5000	1
90.0502.114.00	Dark Grey	13.52	2500	1
90.0505.114.00	Dark Grey	13.52	5000	1
90.0505.115.00	Blue	15	2500	1
90.0505.115.00	Blue	15	5000	1
90.0502.117.00	Red	16.76	2500	1
90.0505.117.00	Red	16.76	5000	1
90.0502.118.00	Dark Green	17.52	2500	1
90.0505.118.00	Dark Green	17.52	5000	1
90.0505.119.00	Yellow	19	2500	1
90.0505.119.00	Yellow	19	5000	1
90.0502.121.00	Red	20.76	2500	1
90.0505.121.00	Red	20.76	5000	1
90.0502.122.00	Dark Green	21.52	2500	1
90.0505.122.00	Dark Green	21.52	5000	1



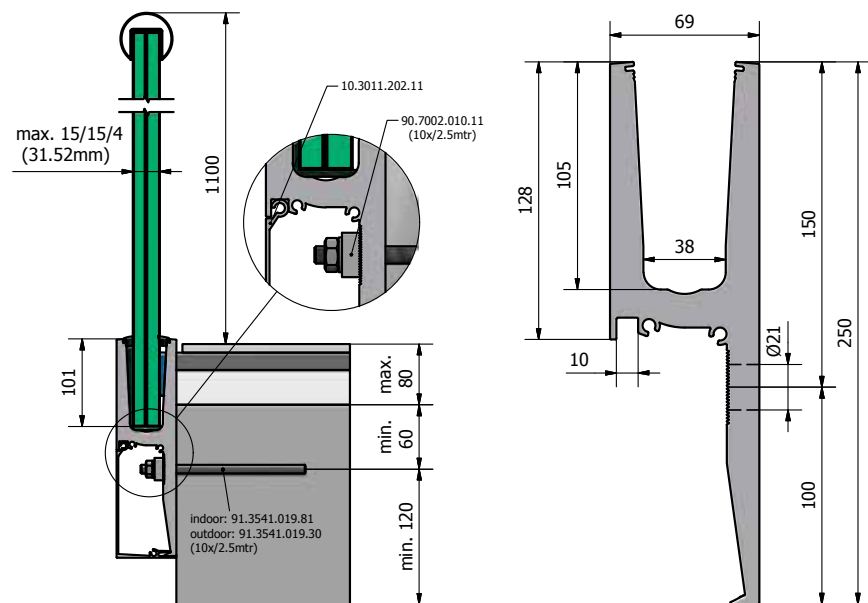
Glass-tec

MODEL TL-3031 | 1.5kN SIDE MOUNT

- Slender, attractive design and low maintenance
- Flex-Fit assembly system
- Extension pin ducts
- Water drainage openings
- Top cover (optional)
- Partial cap (optional)
- Glass thickness range 21.52-31.52mm

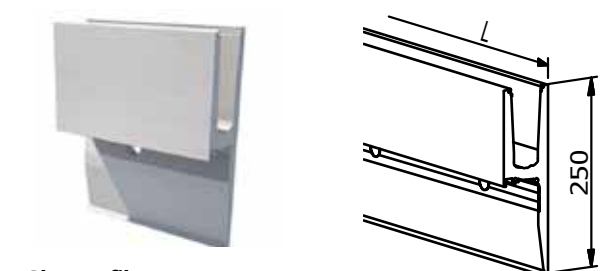
TESTED
according to
BS6180

LUCIDEON
insight creating advantage



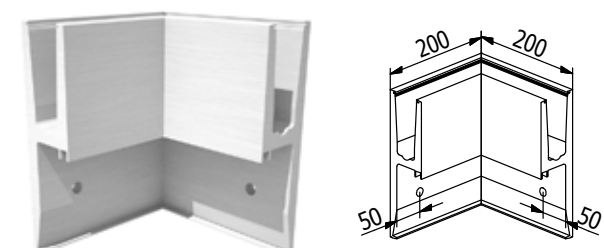
See page 103 for mounting instructions

TL - 3031 | 1.5KN SIDE MOUNT



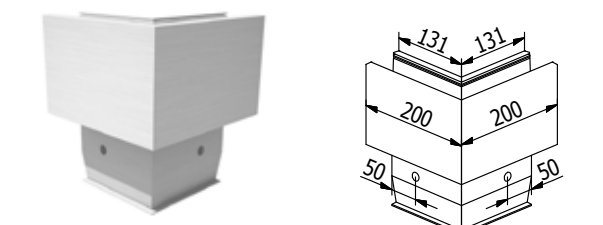
► Glass profile

Model: 3031	Aluminium	Outdoor
Code	L	☐
10.3031.002.11	2500	1



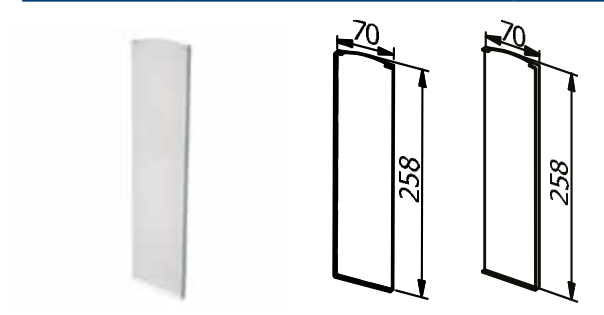
► Inside corner

Model: 3031	Aluminium	Outdoor
Code		☐
10.3031.300.11		1



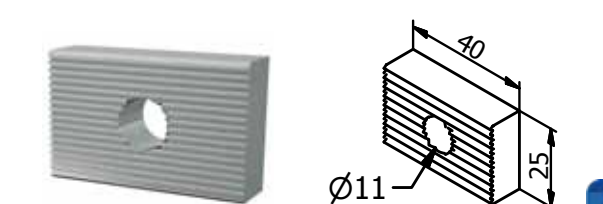
► Outside corner

Model: 3031	Aluminium	Outdoor
Code		☐
10.3031.350.11		1



► End cap

Model: 3031	Aluminium	Outdoor
Code	Side	☐
10.3031.410.11	Left	1
10.3031.460.11	Right	1



► Mounting block

Model: 7002	Aluminium	Outdoor
Code		☐
90.7002.010.11		8



► Snap frame

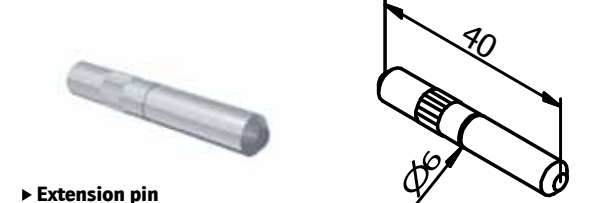
Model: 3031	Aluminium	Outdoor
Code	L	☐
10.3031.202.11	2500	1
10.3031.205.11	5000	1



► Mounting anchor

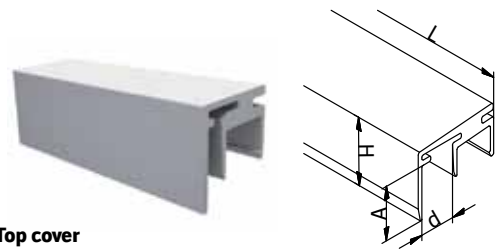
Model: 3541	Zinc-plated	Indoor
Code	Quantity per 2500mm	☐
91.3541.019.81	10	10

Model: 3541	AISI 316	Outdoor
Code	Quantity per 2500mm	☐
91.3541.019.30	10	10



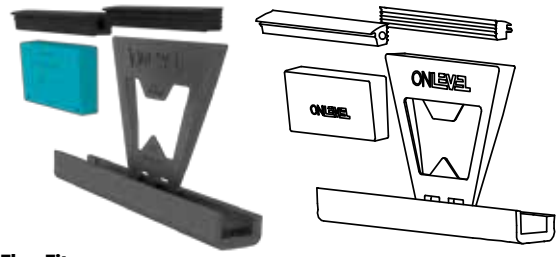
► Extension pin

Model: 7001	AISI 316	Outdoor
Code		☐
90.7001.640.31		8



► Top cover

Model: 8030		Aluminium			Outdoor
Code	d	L	H	A	☐
90.8030.035.11	3	5000	14	10	1
90.8030.105.11	10	5000	20	16	1
90.8030.205.11	20	5000	20	16	1



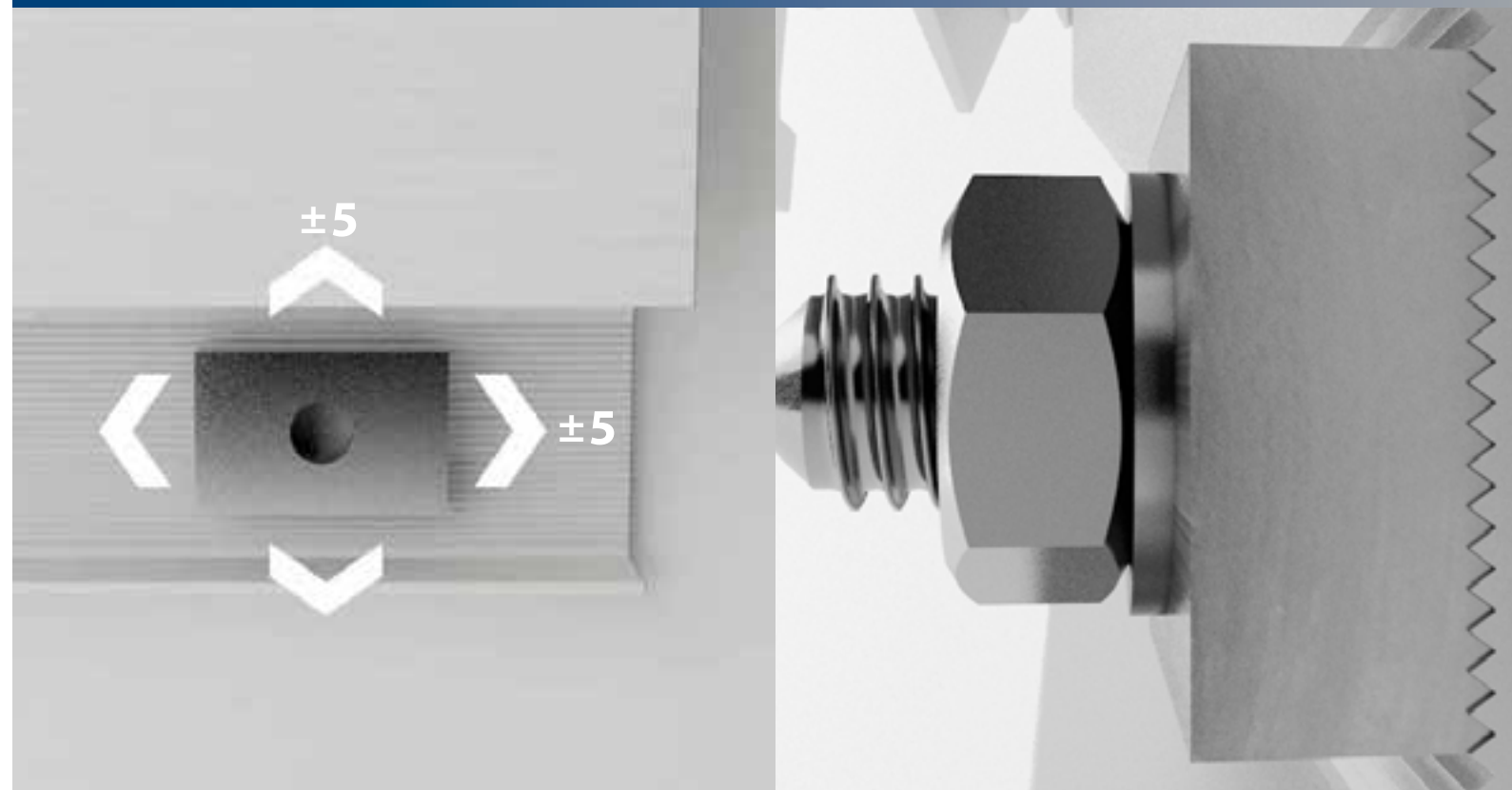
► Flex-Fit

Model: 0502/0505		Rubber		Outdoor
Code	Colour	Thickness	L	☐
90.0502.322.00	●	21.52	2500	1
90.0505.322.00	●	21.52	5000	1
90.0502.326.00	●	25.52	2500	1
90.0505.326.00	●	25.52	5000	1
90.0502.332.00	●	31.52	2500	1
90.0505.332.00	●	31.52	5000	1



Mounting block

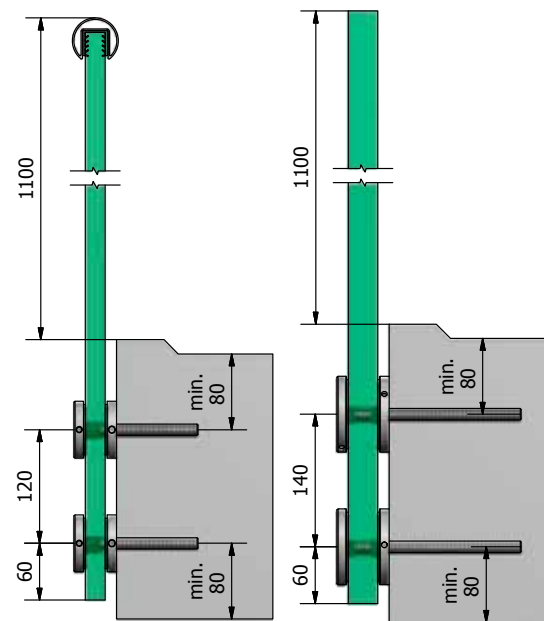
OnLevel mounting block, solid but flexible. By making optimal use of the potential offered by Aluminium extrusion we have been able to increase the flexibility for dealing with construction and mounting tolerances. The hole for the purposes of fixing our glass profiles therefore no longer needs to be drilled precisely but offers a tolerance of +/-5mm in each direction. To ensure that the glass balustrade is kept in place the mounting block is toothed preventing the possibility of slipping between the two parts. Please pay attention to the label regarding the application.



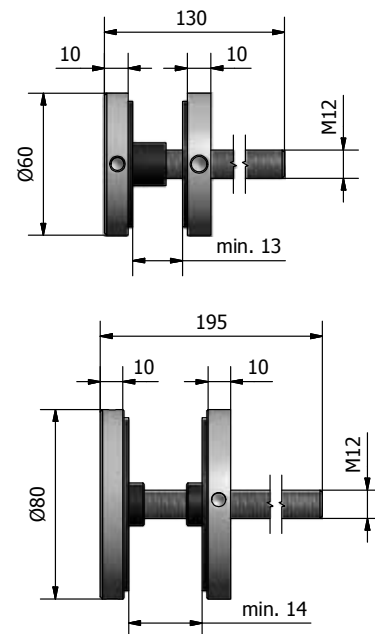


Glass-tec GLASS CONNECTORS

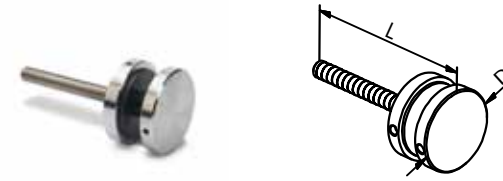
- Modern design
- Available in Ø80, Ø60, Ø50 and Ø30
- Available in 304 stainless steel (interior use) and 316 stainless steel (exterior use)



Model 2060 and 2080 only



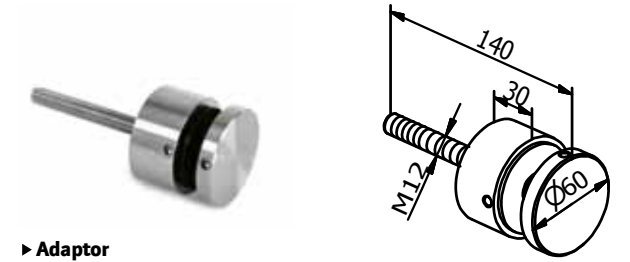
GLASS CONNECTORS



► Adaptor

Model: 2060/2080	AISI 304	Indoor	
Code	D	⊞	
10.2060.100.21	60	130	2
10.2080.100.21	80	195	2

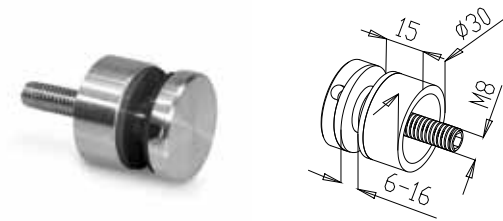
Model: 2060/2080	AISI 316	Outdoor	
Code	D	⊞	
10.2060.100.31	60	130	2
10.2080.100.31	80	195	2



► Adaptor

Model: 2060	AISI 304	Indoor
Code	D	⊞
10.2060.300.21	Ø60.3x1.5	2

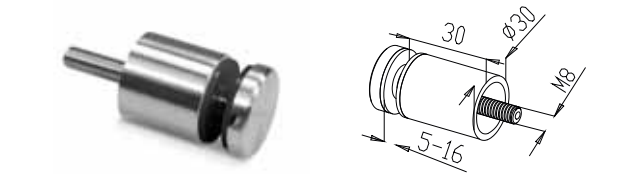
Model: 2060	AISI 316	Outdoor
Code	D	⊞
10.2060.300.31	Ø60.3x1.5	2



► Adaptor

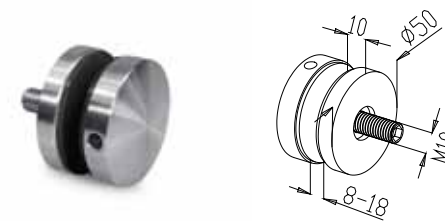
Model: 4010	AISI 304	Indoor
Code		⊞
34.4010.000.S		1

Model: 4010	AISI 316	Outdoor
Code		⊞
36.4010.000.S		1



► Adaptor

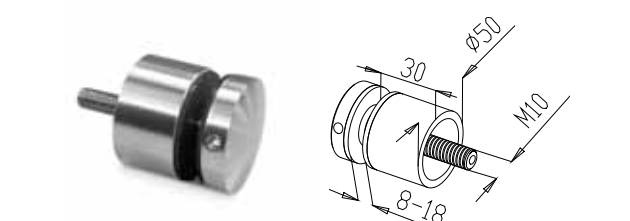
Model: 4010	AISI 304	Indoor
Code		⊞
34.4010.100.S		1



► Adaptor

Model: 4030	AISI 304	Indoor
Code		⊞
34.4030.000.S		1

Model: 4030	AISI 316	Outdoor
Code		⊞
36.4030.000.S		1



► Adaptor

Model: 4030	AISI 304	Indoor
Code		⊞
34.4030.100.S		1

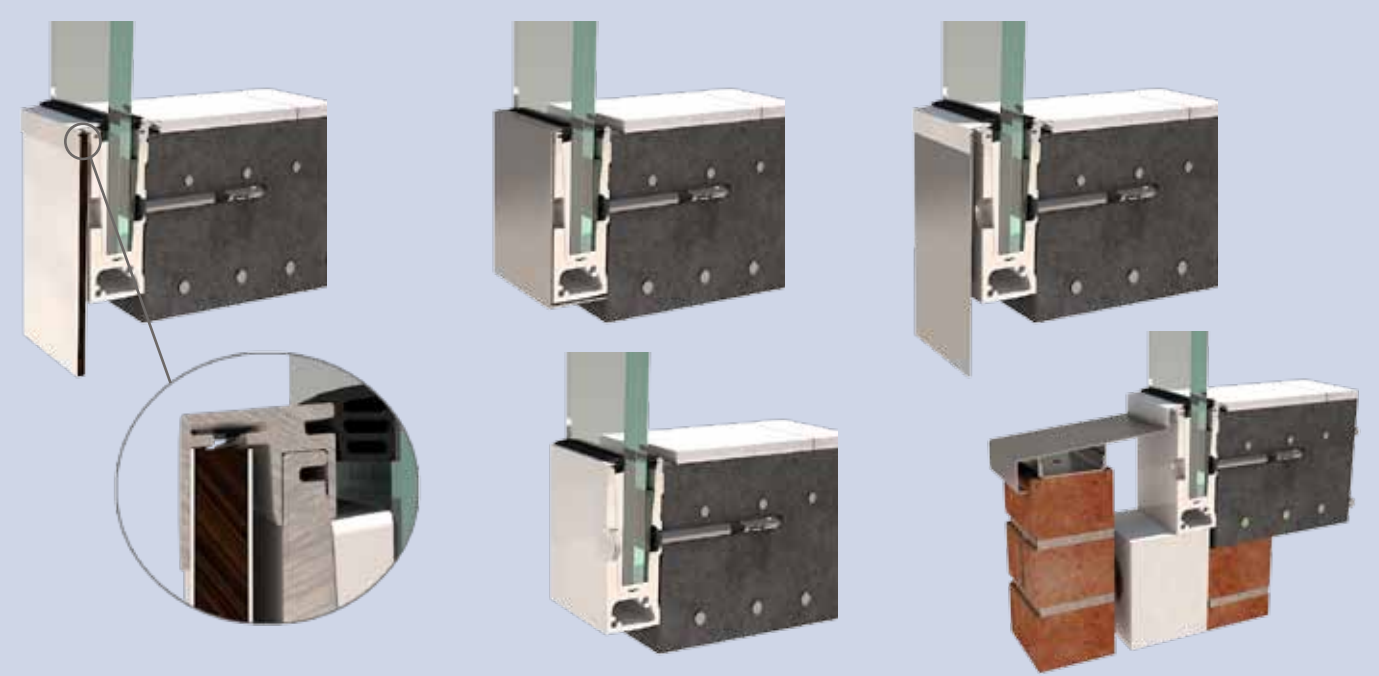
Model: 4030	AISI 316	Outdoor
Code		⊞
36.4030.100.S		1



Glass-tec

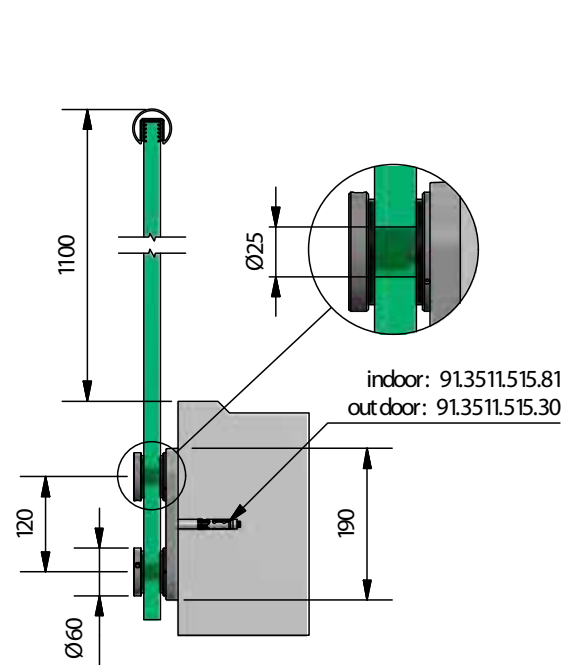
Model TL-2160 | SIDE MOUNT

- Modern design
- Single point fixing
- Available in 304 stainless steel (interior use)



Top cover and floor connect

There are almost as many glass balustrade applications in projects as there are projects. We have developed the Top cover profile for a seamless fit in your project. This profile can easily be clicked on to all OnLevel glass balustrade profiles and can be used for an almost endless series of connections.



► Adaptor

Model: 2160	AISI 316	Outdoor
Code	Diameter	
10.2160.100.31	Ø60	1

► Mounting anchor

Model: 3511	Zinc-plated	Indoor
Code		
91.3511.515.81		25

Model: 3511	AISI 316	Outdoor
Code		
91.3511.515.30		25



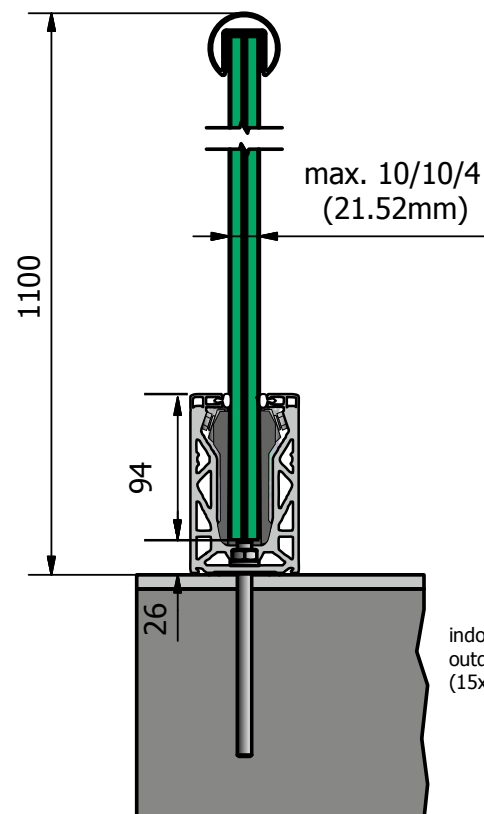


Glass-tec

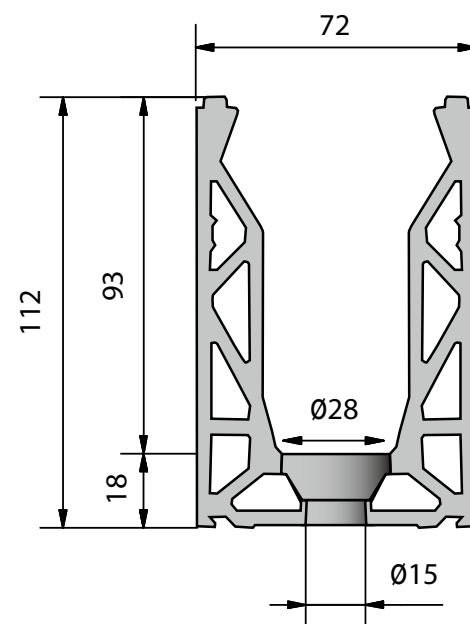
POSI-GLAZE 1.5kN TOP MOUNT

- Slender, attractive design and low maintenance
- Fast and easy glass adjustment
- Extension pin ducts
- Can be clad both sides
- Glass thickness range 12-21.52mm

APPROVED according to **SANDBERG**
BS6180

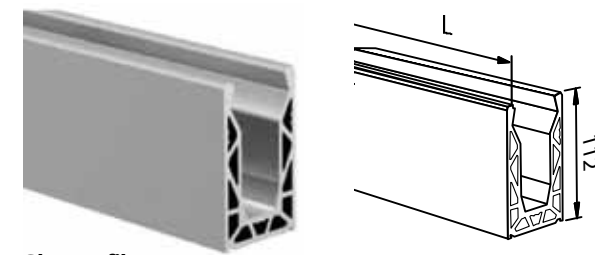


indoor: 91.3511.015.81
outdoor: 91.3511.015.30
(15x/3mtr)



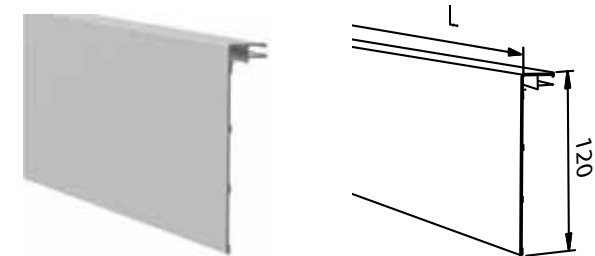
See page 106 for mounting instructions

POSI-GLAZE | 1.5KN TOP MOUNT



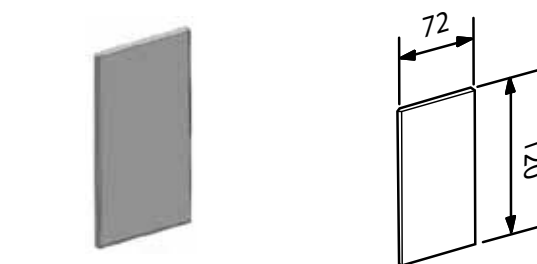
► Glass profile

Model: PGC	Aluminium	Outdoor
Code	L	☐
PGC-010	3000	1



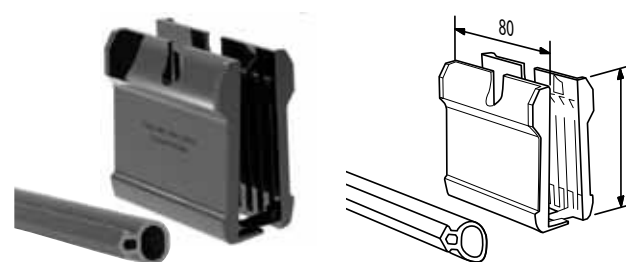
► Side cladding

Model: PGA	Aluminium	Outdoor
Code	L	☐
PGA-010	3000	1



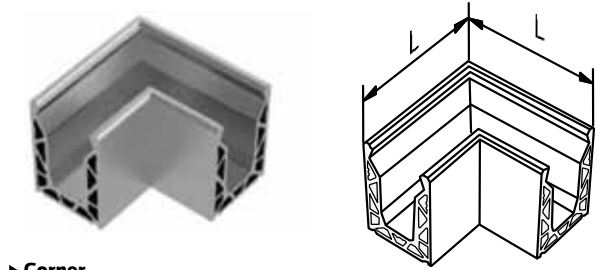
► End cap

Model: PGA	Aluminium	Outdoor
Code		☐
PGA-060		1



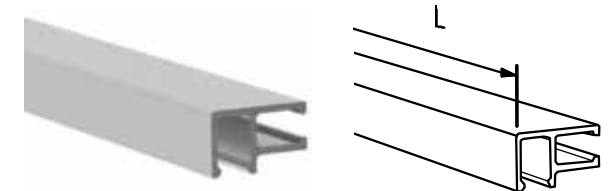
► Clamp kit

Model: PGB	Glass	L	
Code			☐
PGB-0012	12	3000	1
PGB-0013	13.52	3000	1
PGB-0015	15	3000	1
PGB-0017	17.52	3000	1
PGB-0019	19	3000	1
PGB-0021	21.52	3000	1



► Corner

Model: PGA	Aluminium	Outdoor
Code	L	☐
PGA-090	136	1



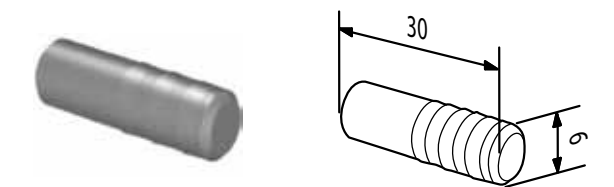
► Top seal strip (2 No. required as per drawing page 46)

Model: PGA	Aluminium	Outdoor
Code	L	☐
PGA-030	3000	1



► Spanner

Model: PGA	Steel	
Code		☐
PGA-050		1



► Extension pin

Model: PGA	AISI 316	Outdoor
Code		☐
PGA-070		1



► Mounting anchor

Model: 3511	Zinc-plated	Indoor
Code	Quantity per 3000mm	☐
91.3511.015.81	15	25
Model: 3511	AISI 316	Outdoor
Code	Quantity per 3000mm	☐
91.3511.250.30	15	25

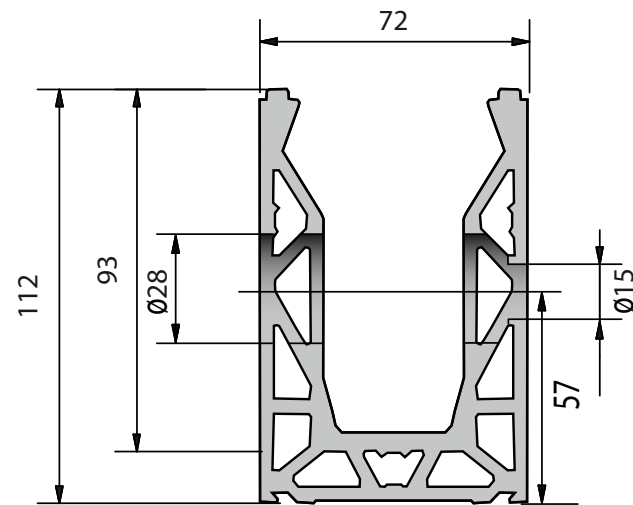
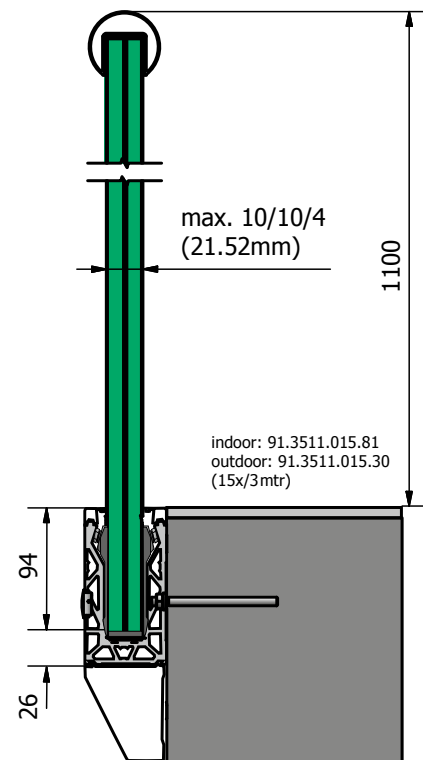


Glass-tec

POSI-GLAZE | 0.74kN SIDE MOUNT

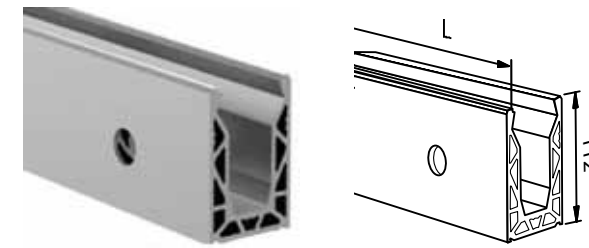
- Slender, attractive design and low maintenance
- Fast and easy glass adjustment
- Extension pin ducts
- Side and bottom cladding available
- Glass thickness range 12-21.52mm

APPROVED
according to **SANDBERG**
BS6180



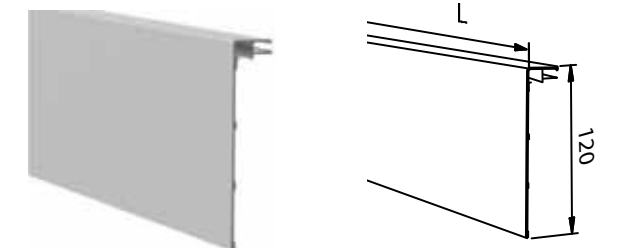
See page 106 for mounting instructions

POSI-GLAZE | 0.74kN SIDE MOUNT



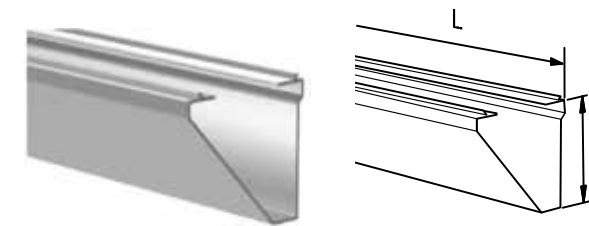
► Glass profile

Model: PGC	Aluminium	Outdoor
Code	L	☐
PGC-020	3000	1



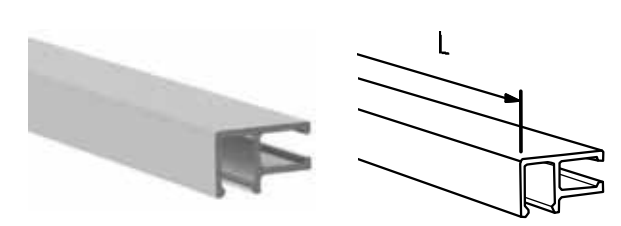
► Side cladding

Model: PGA	Aluminium	Outdoor
Code	L	☐
PGA-010	3000	1



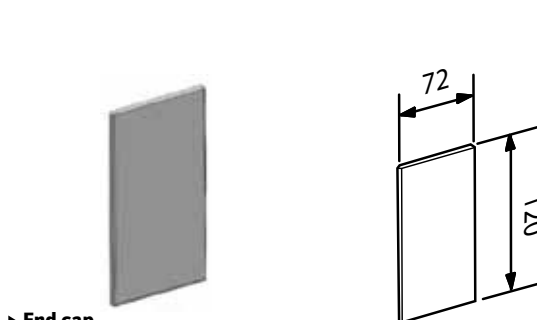
► Bottom cladding

Model: PGA	Aluminium	Outdoor
Code	L	☐
PGA-020	3000	1



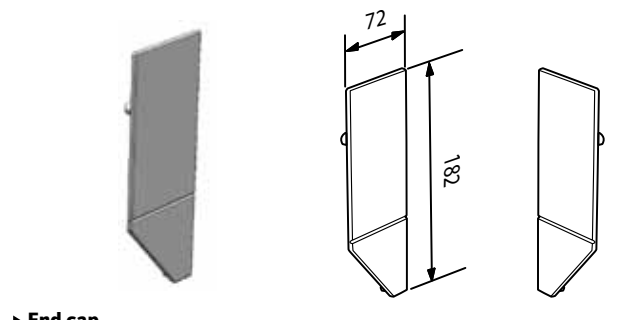
► Top seal strip

Model: PGA	Aluminium	Outdoor
Code	L	☐
PGA-030	3000	1



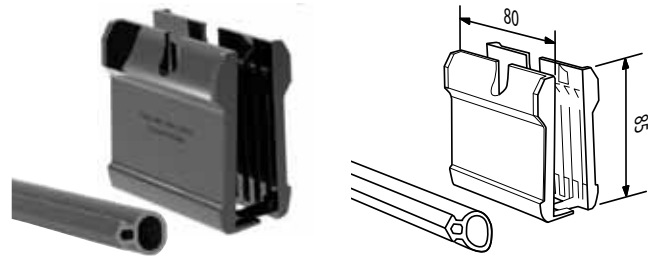
► End cap

Model: PGA	Aluminium	Outdoor
Code		☐
PGA-061	One Side Cladding	1
PGA-062	Two Side Cladding	1



► End cap

Model: PGA	Aluminium	Outdoor
Code		☐
PGA-065R		1
PGA-065L		1



► **Clamp kit**

Model: PGB			
Code	Glass	L	☒
PGB-0012	12	3000	1
PGB-0013	13.5	3000	1
PGB-0015	15	3000	1
PGB-0017	17.5	3000	1
PGB-0019	19	3000	1
PGB-0021	21.5	3000	1



► **Mounting anchor**

Model: 3511	Zinc-plated	Indoor
Code	Quantity per 3000mm	☒
91.3511.015.81	15	25

Model: 3511	AISI 316	Outdoor
Code	Quantity per 3000mm	☒
91.3511.250.30	15	25

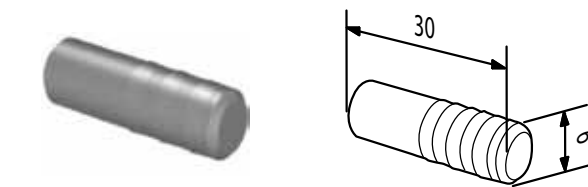


► **Top seal rubbers**

Model: PGB			
Code	Glass	L	☒
PGB-0012	12	3000	1
PGB-0013	13.5	3000	1
PGB-0015	15	3000	1
PGB-0017	17.5	3000	1
PGB-0019	19	3000	1
PGB-0021	21.5	3000	1

► **Spanner**

Model: PGA	Steel
Code	☒
PGA-050	1



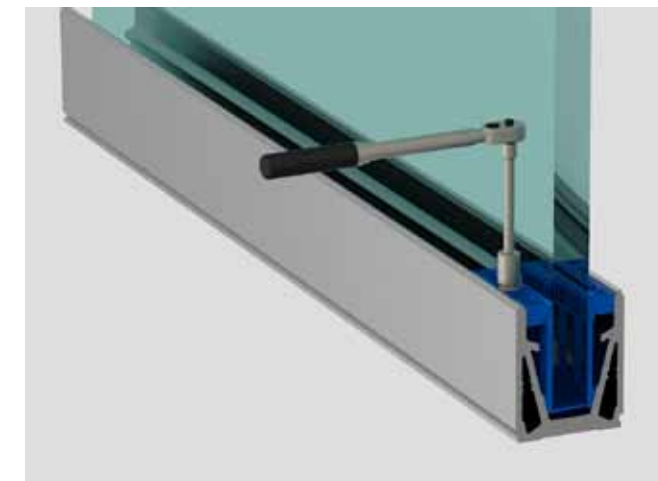
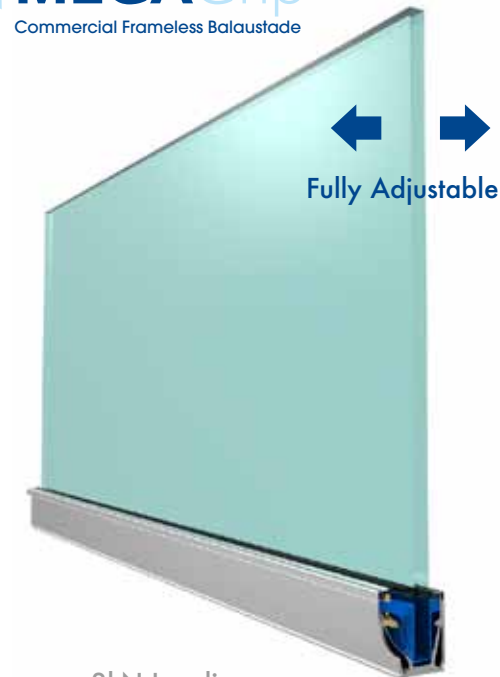
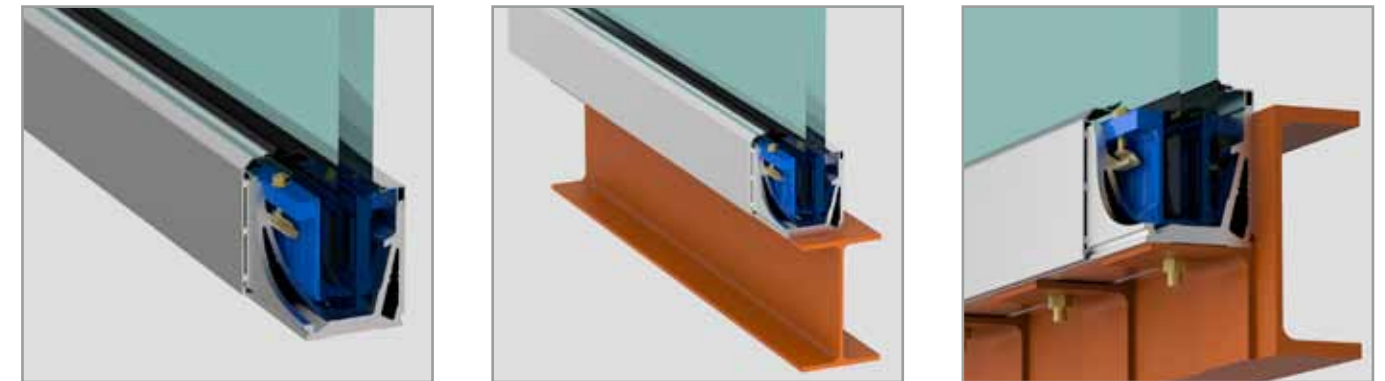
► **Extension pin**

Model: PGA	AISI 316	Outdoor
Code	☒	
PGA-070		1



Need a 3kN system?
Then **MEGA Grip** is for you!

Using 25mm glass **MEGA Grip** meets 3kN loadings in a number of scenarios.



Each panel of glass can be fully adjusted after installation of the channel.

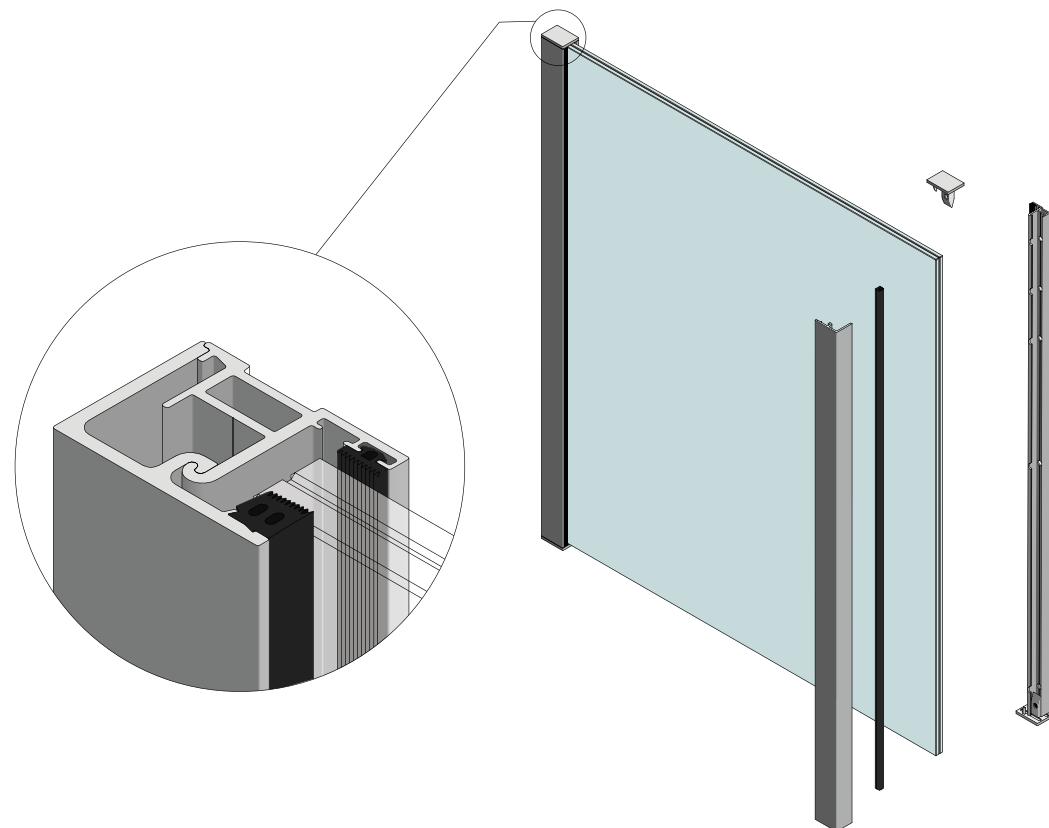
- 3kN Loading
- Simple to install
- No specialised tools
- Durable anodised finish



Glass-tec SKYFORCE 3.0KN FRENCH BALCONY

- Easy ordering thanks to packaging sets of 900, 1000 and 1100 mm
- Max. glass width up to 3000 mm
- With drainage channels
- Nearly tool-free installation
- Colour design possible according to RAL
- Suitable for 10 - 21.52 mm glass
- Suitable for plastic, aluminium, wooden and metal frames

TESTED according to BS6180



SKYFORCE | 3.0KN FRENCH BALCONY



► Complete set

Aluminium			Outdoor	
H=900mm	H=1000mm	H=1100mm	Glass	☒
16.1009.010.11	16.1010.010.11	16.1011.010.11	10 - 11 mm	1
16.1009.012.11	16.1010.012.11	16.1011.012.11	12 - 13.5 mm	1
16.1009.015.11	16.1010.015.11	16.1011.015.11	15 mm	1
16.1009.016.11	16.1010.016.11	16.1011.016.11	16 - 17.5 mm	1
16.1009.019.11	16.1010.019.11	16.1011.019.11	19 mm	1
16.1009.020.11	16.1010.020.11	16.1011.020.11	20 - 21.5 mm	1

Raw			Outdoor	
H=900mm	H=1000mm	H=1100mm	Glass	☒
16.1009.010.10	16.1010.010.10	16.1011.010.10	10 - 11 mm	1
16.1009.012.10	16.1010.012.10	16.1011.012.10	12 - 13.5 mm	1
16.1009.015.10	16.1010.015.10	16.1011.015.10	15 mm	1
16.1009.016.10	16.1010.016.10	16.1011.016.10	16 - 17.5 mm	1
16.1009.019.10	16.1010.019.10	16.1011.019.10	19 mm	1
16.1009.020.10	16.1010.020.10	16.1011.020.10	20 - 21.5 mm	1

Coloured			Outdoor	
H=900mm	H=1000mm	H=1100mm	Glass	☒
16.1009.010.13	16.1010.010.13	16.1011.010.13	10 - 11 mm	5
16.1009.012.13	16.1010.012.13	16.1011.012.13	12 - 13.5 mm	5
16.1009.015.13	16.1010.015.13	16.1011.015.13	15 mm	5
16.1009.016.13	16.1010.016.13	16.1011.016.13	16 - 17.5 mm	5
16.1009.019.13	16.1010.019.13	16.1011.019.13	19 mm	5
16.1009.020.13	16.1010.020.13	16.1011.020.13	20 - 21.5 mm	5

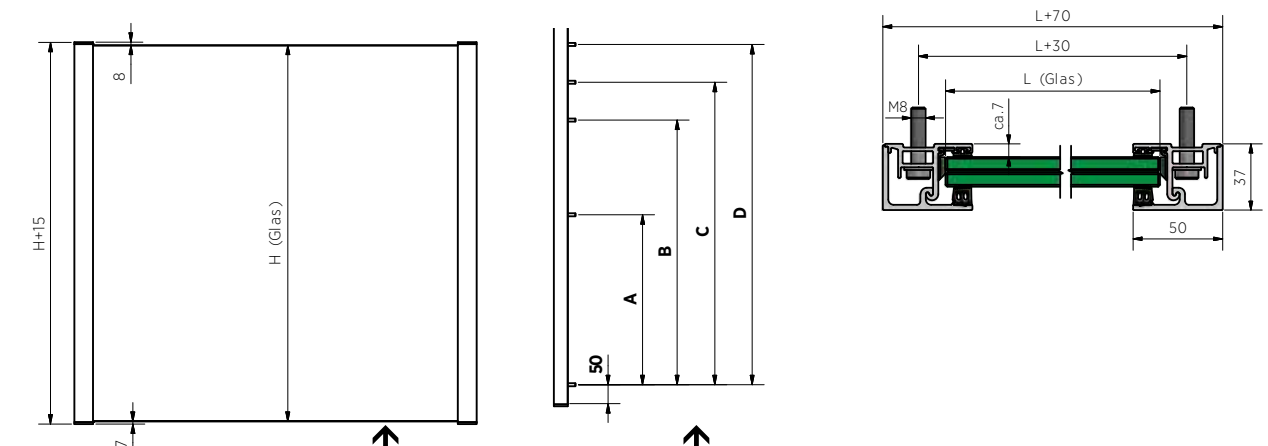
► Centrepiece

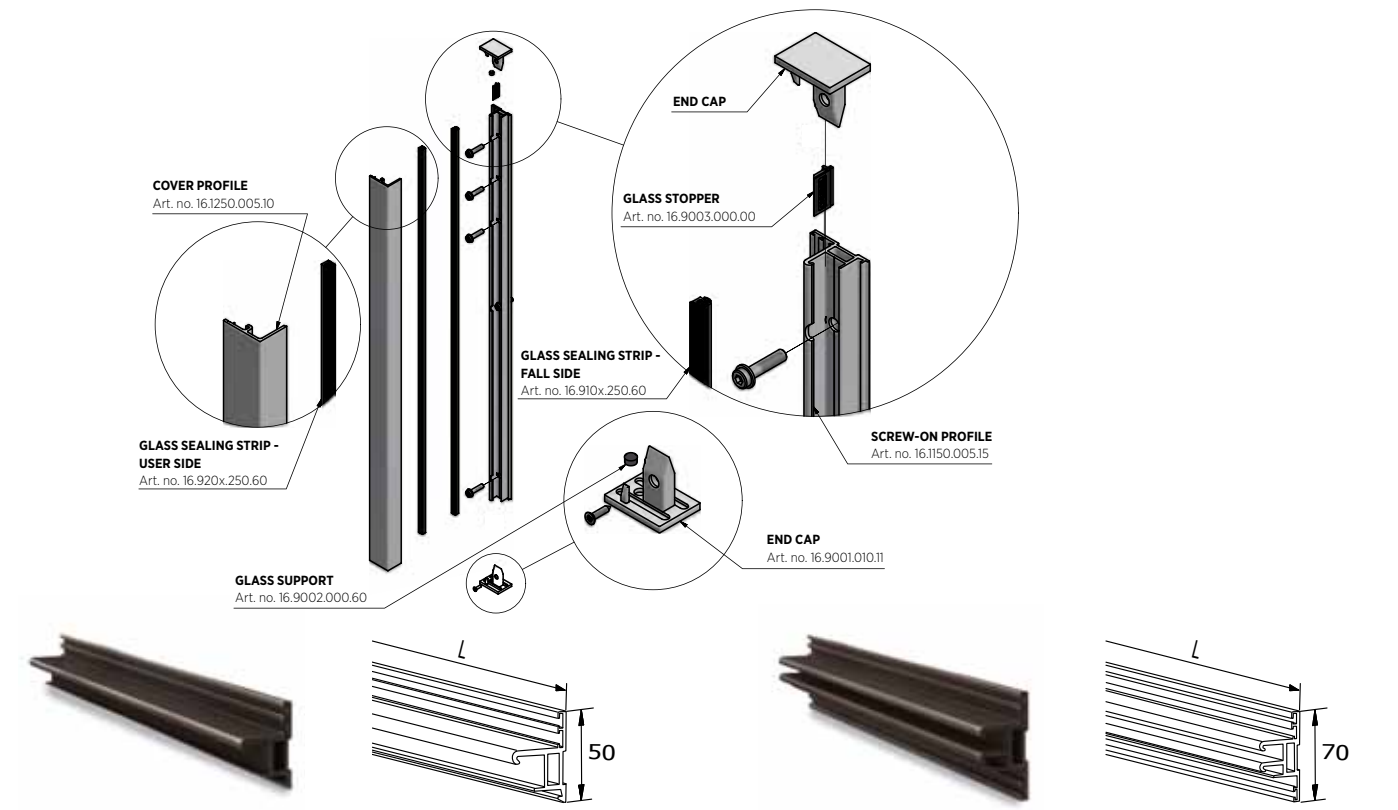
Aluminium			Outdoor	
H=900mm	H=1000mm	H=1100mm	Glass	☒
16.1509.010.11	16.1510.010.11	16.1511.010.11	10 - 11 mm	1
16.1509.012.11	16.1510.012.11	16.1511.012.11	12 - 13.5 mm	1
16.1509.015.11	16.1510.015.11	16.1511.015.11	15 mm	1
16.1509.016.11	16.1510.016.11	16.1511.016.11	16 - 17.5 mm	1
16.1509.019.11	16.1510.019.11	16.1511.019.11	19 mm	1
16.1509.020.11	16.1510.020.11	16.1511.020.11	20 - 21.5 mm	1

Raw			Outdoor	
H=900mm	H=1000mm	H=1100mm	Glass	☒
16.1509.010.10	16.1510.010.10	16.1511.010.10	10 - 11 mm	1
16.1509.012.10	16.1510.012.10	16.1511.012.10	12 - 13.5 mm	1
16.1509.015.10	16.1510.015.10	16.1511.015.10	15 mm	1
16.1509.016.10	16.1510.016.10	16.1511.016.10	16 - 17.5 mm	1
16.1509.019.10	16.1510.019.10	16.1511.019.10	19 mm	1
16.1509.020.10	16.1510.020.10	16.1511.020.10	20 - 21.5 mm	1

Coloured			Outdoor	
H=900mm	H=1000mm	H=1100mm	Glass	☒
16.1509.010.13	16.1510.010.13	16.1511.010.13	10 - 11 mm	5
16.1509.012.13	16.1510.012.13	16.1511.012.13	12 - 13.5 mm	5
16.1509.015.13	16.1510.015.13	16.1511.015.13	15 mm	5
16.1509.016.13	16.1510.016.13	16.1511.016.13	16 - 17.5 mm	5
16.1509.019.13	16.1510.019.13	16.1511.019.13	19 mm	5
16.1509.020.13	16.1510.020.13	16.1511.020.13	20 - 21.5 mm	5

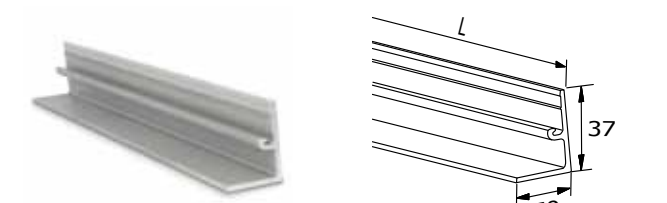
Glass Dimensions Skyforce





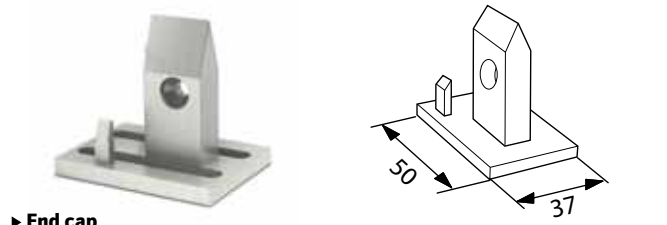
► Screw on profile

Model: 1150	Aluminium Black	Outdoor
Code	L	☐
16.1150.005.15	5000	12



► Cover profile

Model: 1250	Outdoor		
Code	L	Finish	☐
16.1250.005.10	5000	Raw	12
16.1250.005.13	5000	Coloured	12

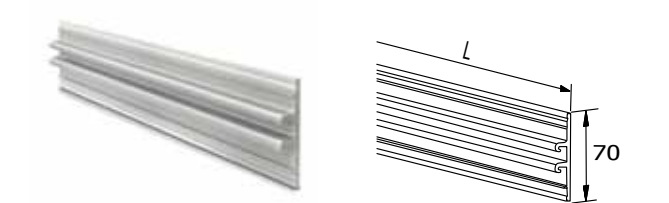


► End cap

Model: 9001	Outdoor	
Code	Finish	☐
16.9001.010.11	Aluminium	50
16.9001.010.10	Raw	50
16.9001.010.13	Coloured	50

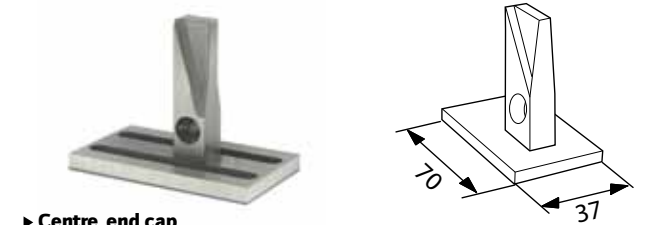
► Centre, screw on profile

Model: 1650	Outdoor		
Code	L	Finish	☐
16.1650.005.10	5000	Raw	8
16.1650.005.15	5000	Aluminium Black	8



► Centre, cover profile

Model: 1750	Outdoor		
Code	L	Finish	☐
16.1750.005.10	5000	Raw	8
16.1750.005.13	5000	Coloured	8



► Centre, end cap

Model: 9001	Outdoor	
Code	Finish	☐
16.9001.015.11	Aluminium	50
16.9001.015.10	Raw	50
16.9001.015.13	Coloured	50

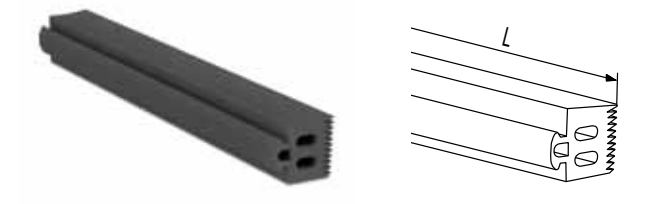


► Glass support

Model: 9002	Plastic	Outdoor
Code		☐
16.9002.000.60		50

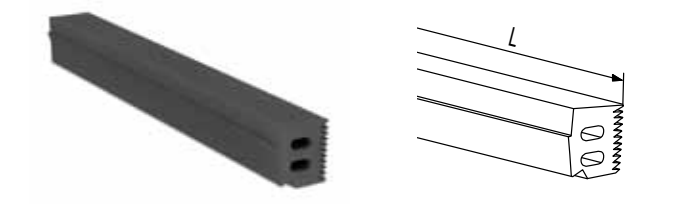
► Glass stopper

Model: 9003	Plastic	Outdoor
Code		☐
16.9003.000.00		100



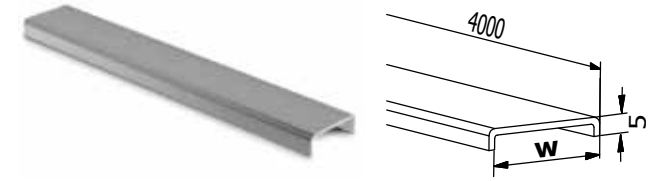
► Glass sealing strip - user side

Model: 9101/9102	Rubber	Outdoor	
Code	L	Glass	☐
16.9102.250.60	2500	10-13.5	1
16.9101.250.60	2500	15-21.5	1



► Glass sealing strip - fall side

Model: 9201-9104	Rubber	Outdoor	
Code	L	Glass	☐
16.9201.250.60	2500	20.76/21.52	1
16.9202.250.60	2500	12/12.76/13.52	1
16.9203.250.60	2500	10/10.76/16.76/17.52	1
16.9104.250.60	2500	15	1



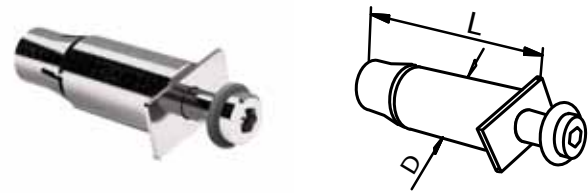
► Edge protection

Model: 2114	AISI 316	Outdoor	
Code	Width	Glass	☐
12.2114.161.31	16	12.76-13.52	1
12.2114.201.31	20	16.76-17.52	1
12.2114.241.31	24	20.76-21.52	1



► Assembly tool

Model: 0100	Plastic	Outdoor
Code		☐
90.0100.105.00		1



► Anchor for plastic frames

Model: 9005	AISI 316	Outdoor	
Code	D	L	
16.9005.850.30	8	50	10



► Anchor for concrete

Model: 9009	AISI 316	Outdoor	
Code	D	L	
16.9009.835.30	8	35	10



► Anchor for aluminium frames

Model: 9006	AISI 316	Outdoor	
Code	D	L	
16.9006.835.30	8	35	10



► Anchor for stone

Model: 9010	AISI 316	Outdoor	
Code	D	L	
16.9010.835.30	8	35	10



► Anchor for steel

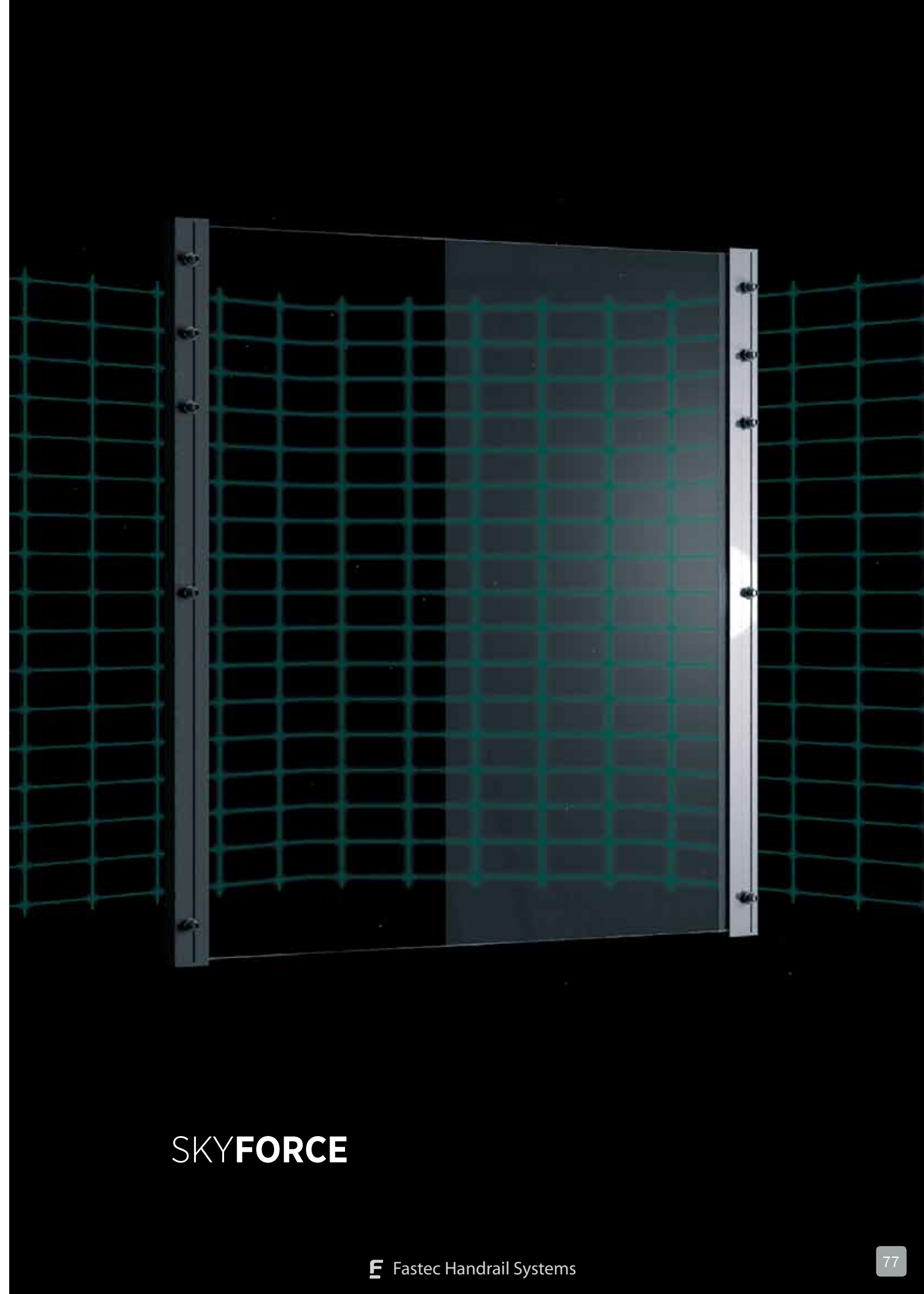
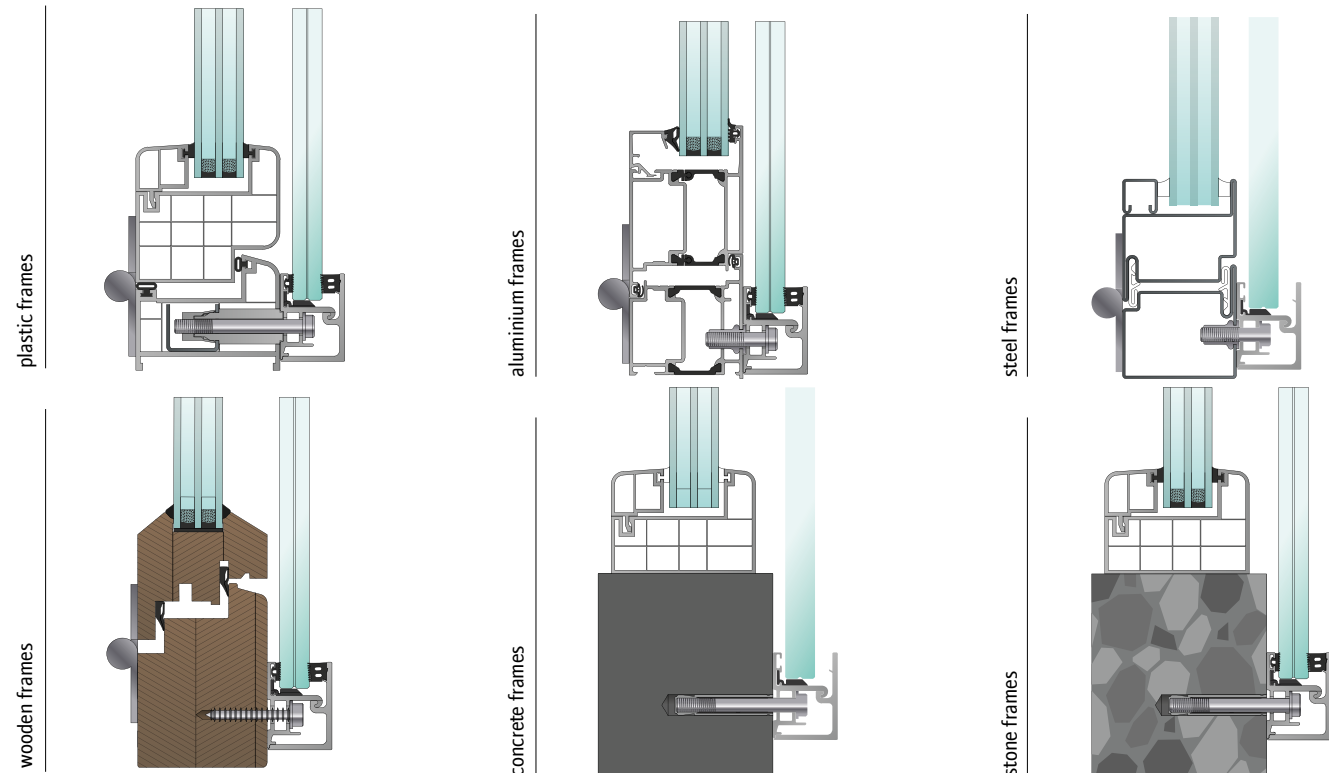
Model: 9008	AISI 316	Outdoor	
Code	D	L	
16.9008.835.30	8	35	10



► Anchor for wooden frames

Model: 9007	AISI 316	Outdoor	
Code	D	L	
16.9007.850.30	8	50	10

Application overview



SKYFORCE

Glass-tec DEMO BOXES/DISPLAYS



► Exhibition display

Model: 9999	Aluminium	Outdoor
Code		☐
81.9999.100.11		1



► Flex-Fit demo box

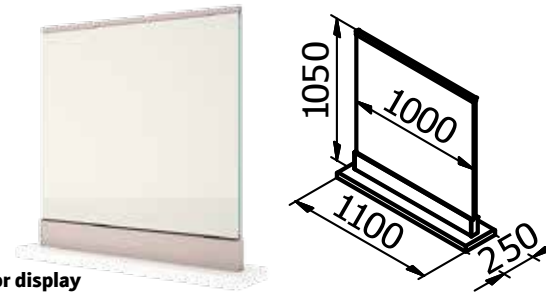
Model: 6010	Aluminium	Outdoor
Code	Model	☐
81.6010.003.11	6010	1



► Flex-Fit exhibition display

Model: 6010	Aluminium	Outdoor
Code	Model	☐
81.6010.100.11	6010	1

TRANS LEVEL | DEMO



► Floor display

Model: 3010/6010	Aluminium	Outdoor
Code	Model	Weight (KG) ☐
81.3010.012.11	3010	75 1
81.6010.012.11	6010	75 1



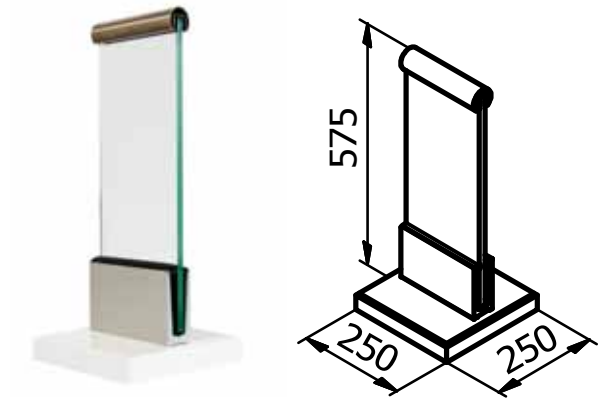
► Demo box

	Aluminium	Outdoor
Code	Model	Weight (KG) ☐
81.2060.001.11	2060	2 1
81.2080.001.11	2080	3 1
81.3010.001.11	3010	2 1
81.3011.001.11	3011	2 1
81.3030.001.11	3030	3 1
81.3031.001.11	3031	3 1
81.5010.001.11	5010	2 1
81.6010.001.11	6010	2 1
81.6011.001.11	6011	2 1
81.6020.002.11	6020	3 1
81.6021.002.11	6021	3 1
81.6030.001.11	6030	3 1
81.6031.001.11	6031	3 1
PGS-010	POSI-GLAZE TOP	2 1
PGS-020	POSI-GLAZE SIDE	2 1
MGS-010	MEGAGRIP	4 1



► Colour line

Model: 6010	Aluminium	Outdoor
Code	Model	Weight (KG) ☐
81.6010.005.11	Colour line	3 1



► Display

	Aluminium	Outdoor
Code	Model	Weight (KG) ☐
81.1011.002.11	1011	6 1
81.1031.002.11	1031	8 1
81.2060.002.11	2060	6 1
81.2080.002.11	2080	8 1
81.3010.002.11	3010	6 1
81.3011.002.11	3011	6 1
81.3030.002.11	3030	8 1
81.3031.002.11	3031	8 1
81.5010.002.11	5010	6 1
81.6010.002.11	6010	6 1
81.6011.002.11	6011	6 1
81.6020.002.11	6020	6 1
81.6021.002.11	6021	6 1
81.6030.002.11	6030	8 1
81.6031.002.11	6031	8 1



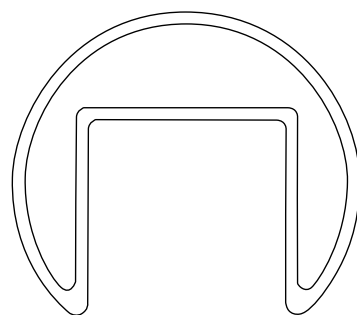
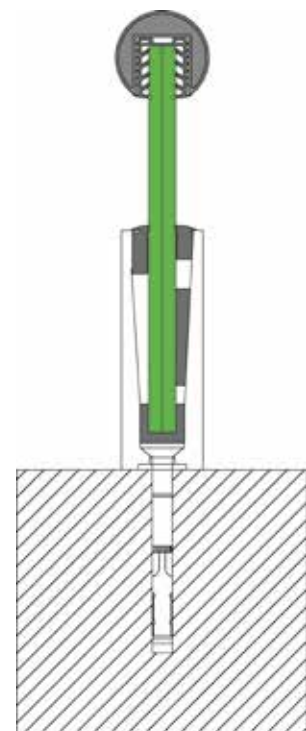
► Flex-Fit demo with tool

Model: 6010	Aluminium	Outdoor
Code	Model	Weight (KG) ☐
81.6010.004.11	6010	5 1

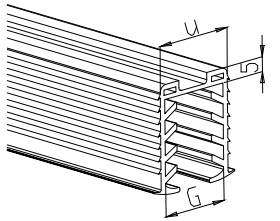
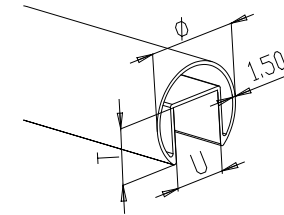


Glass-tec HANDRAIL/FITTINGS

- Available in 304 stainless steel (interior use) and 316 stainless steel (exterior use)
- Satin polish or mirror polish available



HANDRAIL / FITTINGS

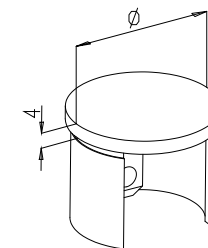


► Handrail

Model: 7000/7100	AISI 304				Indoor
Code	L	Ø	T	U	📦
34.7000.420.S	5000	42.4	24	24	1
34.7000.480.S	5000	48.3	30	27	1
34.7000.600.S	5000	60.3	34	34	1

34.7100.420.S	2500	42.4	24	24	1
34.7100.480.S	2500	48.3	30	27	1
34.7100.600.S	2500	60.3	34	34	1

Model: 7000/7100	AISI 316				Outdoor
Code	L	Ø	T	U	📦
36.7000.420.S	5000	42.4	24	24	1
36.7000.480.S	5000	48.3	30	27	1
36.7100.420.S	2500	42.4	24	24	1
36.7100.480.S	2500	48.3	30	27	1



► End cap

Model: 7070	AISI 304	Outdoor
Code	Ø	📦
34.7070.420.S	42.4	1
34.7070.480.S	48.3	1
34.7070.600.S	60.3	1

Model: 7070	AISI 316	Outdoor
Code	Ø	📦
36.7070.420.S	42.4	1
36.7070.480.S	48.3	1

► Rubber set

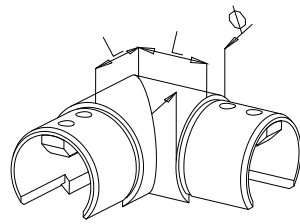
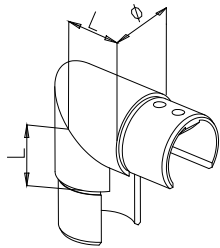
Model: 7042-42.4mm	Rubber		Outdoor	
Code	L	U	G	📦
40.7042.010.R	5000	24	8-11	1
40.7042.012.R	5000	24	11.5-14.5	1
40.7042.015.R	5000	24	15-17	1
40.7042.019.R	5000	24	17.5-19	1

40.7142.010.R	2500	24	8-11	1
40.7142.012.R	2500	24	11.5-14.5	1
40.7142.015.R	2500	24	15-17	1
40.7142.019.R	2500	24	17.5-19	1

Model: 7048-48.3mm	Rubber		Outdoor	
Code	L	U	G	📦
40.7048.012.R	5000	27	12-14.5	1
40.7048.015.R	5000	27	15-17.5	1
40.7048.019.R	5000	27	18-19.5	1
40.7048.020.R	5000	27	20-21.5	1

40.7148.012.R	2500	27	12-14.5	1
40.7148.015.R	2500	27	15-17.5	1
40.7148.019.R	2500	27	18-19.5	1
40.7148.020.R	2500	27	20-21.5	1

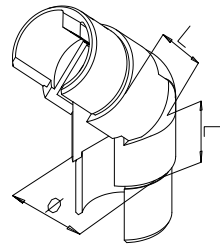
Model: 7060-60.3mm	Rubber		Outdoor	
Code	L	U	G	📦
40.7060.015.R	5000	34	15-18	1
40.7060.019.R	5000	34	18.5-21.5	1
40.7060.025.R	5000	34	22-25	1
40.7160.015.R	2500	34	15-18	1
40.7160.019.R	2500	34	18.5-21.5	1
40.7160.025.R	2500	34	22-25	1



► Elbow

Model: 7010	AISI 304	Indoor	
Code	L	Ø	☐
34.7010.420.S	30	42.4	1
34.7010.480.S	35	48.3	1
34.7010.600.S	40	60.3	1

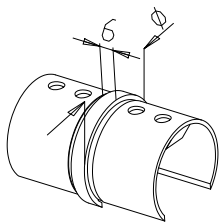
Model: 7010	AISI 316	Outdoor	
Code	L	Ø	☐
36.7010.420.S	30	42.4	1
36.7010.480.S	35	48.3	1



► Adjustable elbow

Model: 7030	AISI 304	Indoor	
Code	L	Ø	☐
34.7030.420.S	30	42.4	1
34.7030.480.S	35	48.3	1

Model: 7030	AISI 316	Outdoor	
Code	L	Ø	☐
36.7030.420.S	30	42.4	1
36.7030.480.S	35	48.3	1



► Joint connector

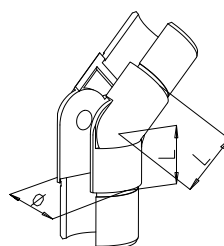
Model: 7050	AISI 304	Indoor	
Code	Ø	☐	
34.7050.420.S	42.4	1	
34.7050.480.S	48.3	1	
34.7050.600.S	60.3	1	

Model: 7050	AISI 316	Outdoor	
Code	Ø	☐	
36.7050.420.S	42.4	1	
36.7050.480.S	48.3	1	

► Elbow

Model: 7020	AISI 304	Indoor	
Code	L	Ø	☐
34.7020.420.S	30	42.4	1
34.7020.480.S	35	48.3	1
34.7020.600.S	40	60.3	1

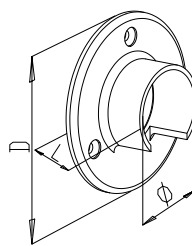
Model: 7020	AISI 316	Outdoor	
Code	L	Ø	☐
36.7020.420.S	30	42.4	1
36.7020.480.S	35	48.3	1



► Adjustable elbow

Model: 7040	AISI 304	Indoor	
Code	L	Ø	☐
34.7040.420.S	30	42.4	1
34.7040.480.S	35	48.3	1

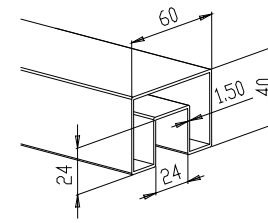
Model: 7040	AISI 316	Outdoor	
Code	L	Ø	☐
36.7040.420.S	30	42.4	1
36.7040.480.S	35	48.3	1



► Wall flange

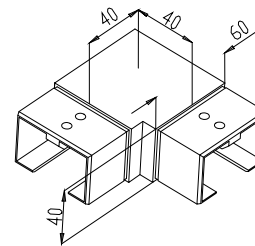
Model: 7060	AISI 304	Indoor		
Code	D	L	Ø	☐
34.7060.420.S	90	30	42.4	1
34.7060.480.S	95	35	48.3	1

Model: 7060	AISI 316	Outdoor		
Code	D	L	Ø	☐
36.7060.420.S	90	30	42.4	1
36.7060.480.S	95	35	48.3	1



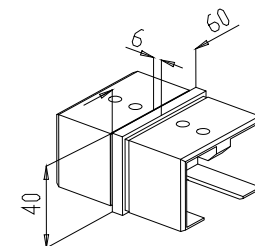
► Handrail

Model: 7000/7100	AISI 304	Indoor	
Code	L	☐	
34.7000.604.S	5000	1	
34.7100.604.S	2500	1	



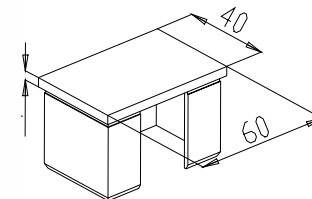
► Elbow

Model: 7020	AISI 304	Indoor	
Code		☐	
34.7020.604.S		1	



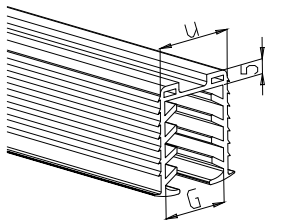
► Joint connector

Model: 7050	AISI 304	Indoor	
Code		☐	
34.7050.604.S		1	



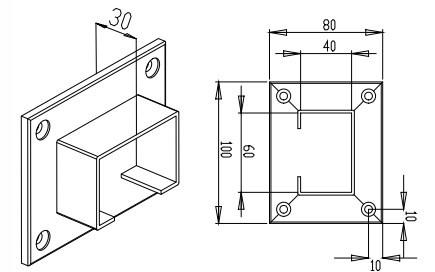
► End cap

Model: 7070	AISI 304	Indoor	
Code		☐	
34.7070.604.S		1	



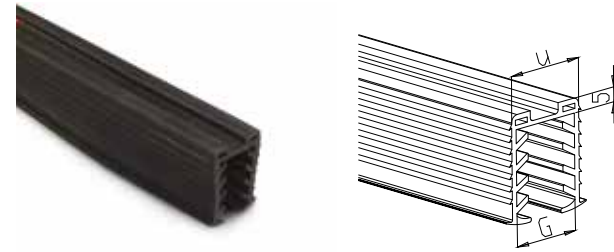
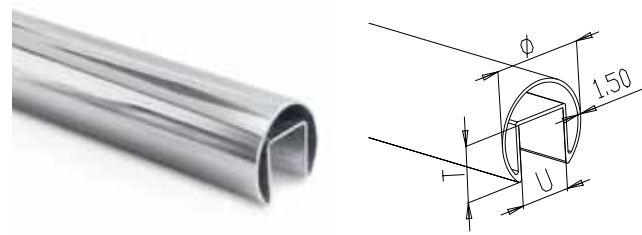
► Rubber set

Model: 7042-42.4mm	Rubber	Outdoor		
Code	L	U	G	☐
40.7042.010.R	5000	24	8-11	1
40.7042.012.R	5000	24	11.5-14.5	1
40.7042.015.R	5000	24	15-17	1
40.7042.019.R	5000	24	17.5-19	1
40.7142.010.R	2500	24	8-11	1
40.7142.012.R	2500	24	11.5-14.5	1
40.7142.015.R	2500	24	15-17	1
40.7142.019.R	2500	24	17.5-19	1



► Wall flange

Model: 7060	AISI 304	Indoor	
Code		☐	
34.7060.604.S		1	



► Handrail

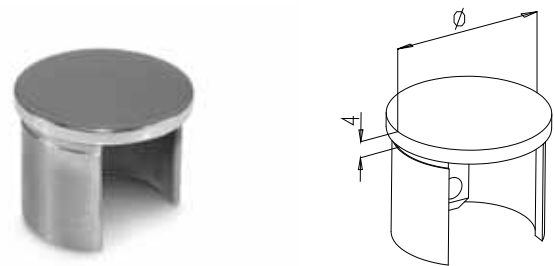
Model: 7000		AISI 304			Indoor
Code	L	Ø	T	U	☐
34.7000.420.M	5000	42.4	24	24	1
34.7000.480.M	5000	48.3	30	27	1

Model: 7000		AISI 316			Outdoor
Code	L	Ø	T	U	☐
36.7000.420.M	5000	42.4	24	24	1
36.7000.480.M	5000	48.3	30	27	1

► Rubber set

Model: 7042-42.4mm		Rubber			Outdoor
Code	L	U	G	☐	
40.7042.010.R	5000	24	8-11	1	
40.7042.012.R	5000	24	11.5-14.5	1	
40.7042.015.R	5000	24	15-17	1	
40.7042.019.R	5000	24	17.5-19	1	

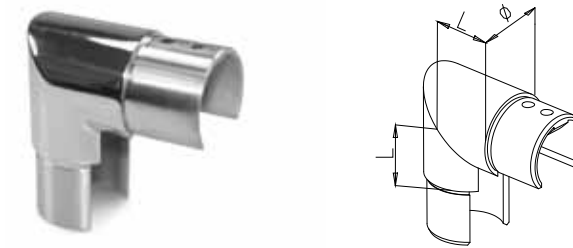
Model: 7048-48.3mm		Rubber			Outdoor
Code	L	U	G	☐	
40.7048.012.R	5000	27	12-14.5	1	
40.7048.015.R	5000	27	15-17.5	1	
40.7048.019.R	5000	27	18-19.5	1	
40.7048.020.R	5000	27	20-21.5	1	



► End cap

Model: 7070		AISI 304	Indoor
Code	Ø	☐	
34.7070.420.M	42.4	1	
34.7070.480.M	48.3	1	

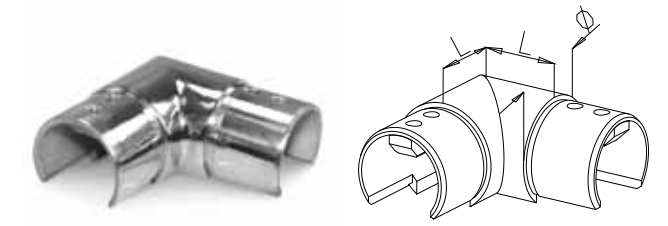
Model: 7070		AISI 316	Outdoor
Code	Ø	☐	
36.7070.420.M	42.4	1	
36.7070.480.M	48.3	1	



► Elbow

Model: 7010		AISI 304		Indoor
Code	L	Ø	☐	
34.7010.420.M	30	42.4	1	
34.7010.480.M	35	48.3	1	

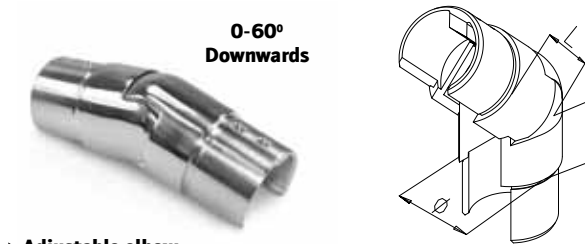
Model: 7010		AISI 316		Outdoor
Code	L	Ø	☐	
36.7010.420.M	30	42.4	1	
36.7010.480.M	35	48.3	1	



► Elbow

Model: 7020		AISI 304		Indoor
Code	L	Ø	☐	
34.7020.420.M	30	42.4	1	
34.7020.480.M	35	48.3	1	

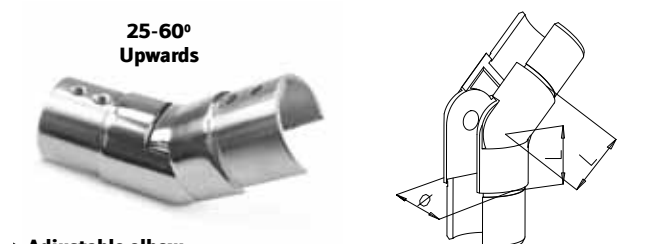
Model: 7020		AISI 316		Outdoor
Code	L	Ø	☐	
36.7020.420.M	30	42.4	1	
36.7020.480.M	35	48.3	1	



► Adjustable elbow

Model: 7030		AISI 304		Indoor
Code	L	Ø	☐	
34.7030.420.M	30	42.4	1	
34.7030.480.M	35	48.3	1	

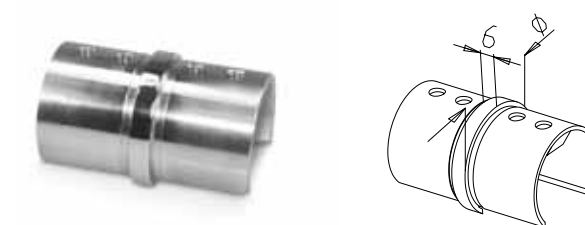
Model: 7030		AISI 316		Outdoor
Code	L	Ø	☐	
36.7030.420.M	30	42.4	1	
36.7030.480.M	35	48.3	1	



► Adjustable elbow

Model: 7040		AISI 304		Indoor
Code	L	Ø	☐	
34.7040.420.M	30	42.4	1	
34.7040.480.M	35	48.3	1	

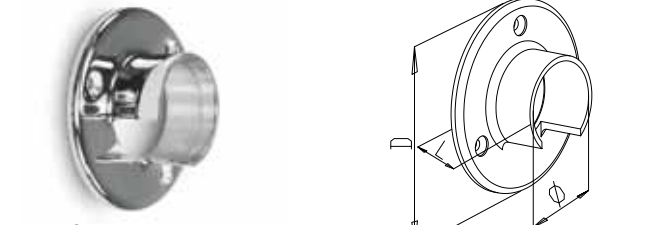
Model: 7040		AISI 316		Outdoor
Code	L	Ø	☐	
36.7040.420.M	30	42.4	1	
36.7040.480.M	35	48.3	1	



► Joint connector

Model: 7050		AISI 304		Indoor
Code	Ø	☐		
34.7050.420.M	42.4	1		
34.7050.480.M	48.3	1		

Model: 7050		AISI 316		Outdoor
Code	Ø	☐		
36.7050.420.M	42.4	1		
36.7050.480.M	48.3	1		



► Wall flange

Model: 7060		AISI 304		Indoor
Code	D	L	Ø	☐
34.7060.420.M	90	30	42.4	1
34.7060.480.M	95	35	48.3	1

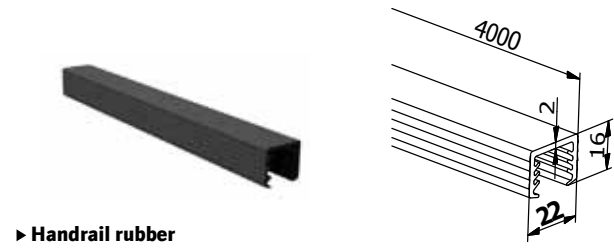
Model: 7060		AISI 316		Outdoor
Code	D	L	Ø	☐
36.7060.420.M	90	30	42.4	1
36.7060.480.M	95	35	48.3	1



► 26mm Handrail U-profile

Model: 2114	Aluminium	Outdoor
Code	L	☒
11.2114.262.11	4000	1

Model: 2114	New Finishes	Outdoor	
Code	L	Finish	☒
11.2114.262.10	4000	Raw	1
11.2114.262.12	4000	Stainless Effect	1
11.2114.262.13	4000	Coloured	1



► Handrail rubber

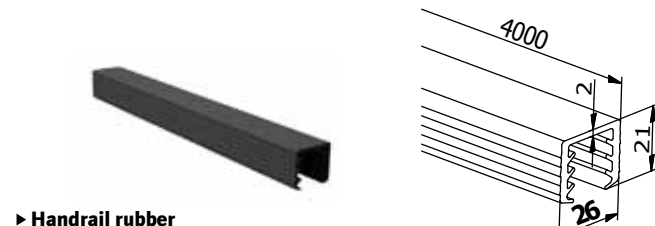
Model: 6526	Rubber	Outdoor
Code	Thickness	☒
90.6526.008.60	8-11	1
90.6526.011.60	11.5-13.5	1
90.6526.015.60	15	1
90.6526.016.60	16-17.5	1



► 30mm Handrail U-profile

Model: 2114	Aluminium	Outdoor
Code	L	☒
11.2114.302.11	4000	1

Model: 2114	New Finishes	Outdoor	
Code	L	Finish	☒
11.2114.302.10	4000	Raw	1
11.2114.302.12	4000	Stainless Effect	1
11.2114.302.13	4000	Coloured	1



► Handrail rubber

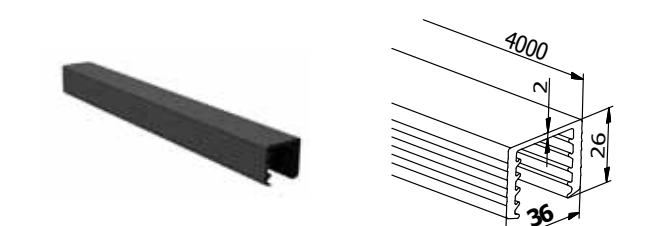
Model: 6530	Rubber	Outdoor
Code	Thickness	☒
90.6530.008.60	8-11	1
90.6530.011.60	11.5-13.5	1
90.6530.015.60	15	1
90.6530.016.60	16-17.5	1
90.6530.019.60	19	1
90.6530.020.60	20-21.5	1



► 42mm Handrail U-profile

Model: 2114	Aluminium	Outdoor
Code	L	☒
11.2114.423.11	4000	1

Model: 2114	New Finishes	Outdoor	
Code	L	Finish	☒
11.2114.423.10	4000	Raw	1
11.2114.423.12	4000	Stainless Effect	1
11.2114.423.13	4000	Coloured	1



► Handrail rubber

Model: 6540	Rubber	Outdoor
Code	Thickness	☒
90.6540.020.60	20.5-21.5	1
90.6540.024.60	24.5-25.5	1
90.6540.030.60	30.5-31.5	1



► Corner connector U-Profile

Model: 2210	Aluminium	Outdoor
Code	U	☒
11.2210.262.11	26x23	1
11.2210.302.11	30x28	1
11.2210.423.11	42x34	1

Model: 2210	Raw	Outdoor
Code	U	☒
11.2210.262.10	26x23	1
11.2210.302.10	30x28	1
11.2210.423.10	42x34	1

Model: 2210	Stainless Effect	Outdoor
Code	U	☒
11.2210.262.12	26x23	1
11.2210.302.12	30x28	1
11.2210.423.12	42x34	1

Model: 2210	Coloured	Outdoor
Code	U	☒
11.2210.262.13	26x23	1
11.2210.302.13	30x28	1
11.2210.423.13	42x34	1



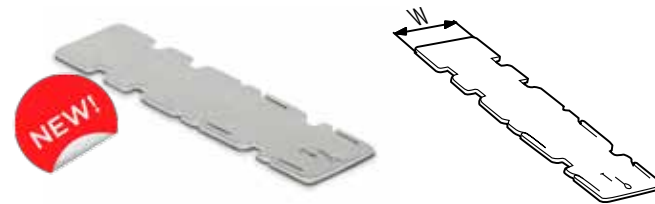
► End cap U-Profile

Model: 2300	Aluminium	Outdoor		
Code	U	H	W	☒
11.2300.262.11	26x23	23	26	1
11.2300.302.11	30x28	28	30	1
11.2300.423.11	42x34	34	42	1

Model: 2300	Raw	Outdoor		
Code	U	H	W	☒
11.2300.262.10	26x23	23	26	1
11.2300.302.10	30x28	28	30	1
11.2300.423.10	42x34	34	42	1

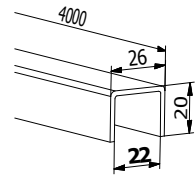
Model: 2300	Stainless Effect	Outdoor		
Code	U	H	W	☒
11.2300.262.12	26x23	23	26	1
11.2300.302.12	30x28	28	30	1
11.2300.423.12	42x34	34	42	1

Model: 2300	Coloured	Outdoor		
Code	U	H	W	☒
11.2300.262.13	26x23	23	26	1
11.2300.302.13	30x28	28	30	1
11.2300.423.13	42x34	34	42	1



► U-Profile connector

Model: 2200	Aluminium	Outdoor
Code	Width	☒
11.2200.262.30	22	2
11.2200.302.30	26	2
11.2200.423.30	36	2



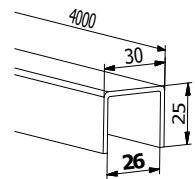
► 26mm Handrail U-profile

Model: 2114	AISI 304	Indoor
Code		

12.2114.262.21 1

Model: 2114	AISI 316	Outdoor
Code		

12.2114.262.31 1



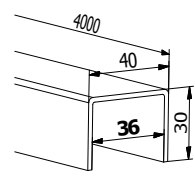
► 30mm Handrail U-profile

Model: 2114	AISI 304	Indoor
Code		

12.2114.302.21 1

Model: 2114	AISI 316	Outdoor
Code		

12.2114.302.31 1



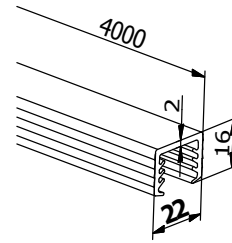
► 40mm Handrail U-profile

Model: 2114	AISI 304	Indoor
Code		

12.2114.402.21 1

Model: 2114	AISI 316	Outdoor
Code		

12.2114.402.31 1



► Handrail rubber

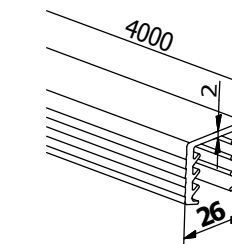
Model: 6526	Rubber	Outdoor
Code	Glass	

90.6526.008.60 8-11 1

90.6526.011.60 11.5-13.5 1

90.6526.015.60 15 1

90.6526.016.60 16-17.5 1



► Handrail rubber

Model: 6530	Rubber	Outdoor
Code	Glass	

90.6530.008.60 8-11 1

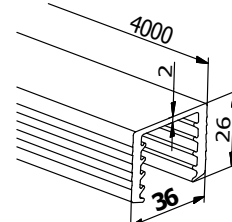
90.6530.011.60 11.5-13.5 1

90.6530.015.60 15 1

90.6530.016.60 16-17.5 1

90.6530.019.60 19 1

90.6530.020.60 20-21.5 1



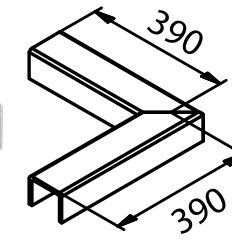
► Handrail rubber

Model: 6540	Rubber	Outdoor
Code	Glass	

90.6540.020.60 20.5-21.5 1

90.6540.024.60 24.5-25.5 1

90.6540.030.60 30.5-31.5 1



► Corner connector U-Profile

Model: 2210	AISI 304	Indoor
Code	U	

12.2210.262.21 26x20 1

12.2210.302.21 30x25 1

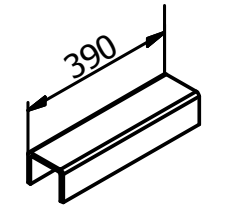
12.2210.402.21 40x30 1

Model: 2210	AISI 316	Outdoor
Code	U	

12.2210.262.31 26x20 1

12.2210.302.31 30x25 1

12.2210.402.31 40x30 1



► End cap U-Profile

Model: 2300	AISI 304	Indoor
Code	U	

12.2300.262.21 26x20 1

12.2300.302.21 30x25 1

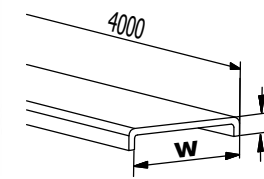
12.2300.402.21 40x30 1

Model: 2300	AISI 316	Outdoor
Code	U	

12.2300.262.31 26x20 1

12.2300.302.31 30x25 1

12.2300.402.31 40x30 1



► Edge protection

Model: 2114	AISI 316	Outdoor
Code	Width	Glass

12.2114.161.31 16 12.76-13.52 1

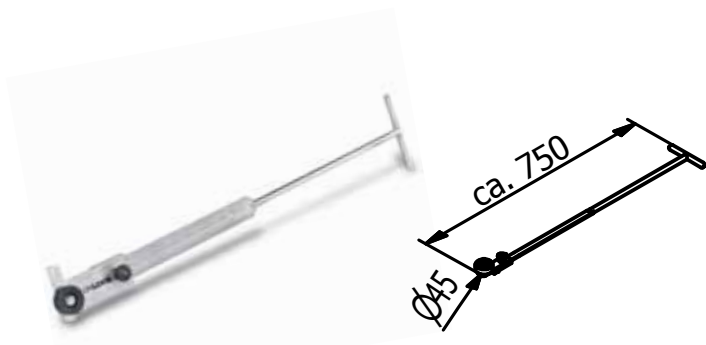
12.2114.201.31 20 16.76-17.52 1

12.2114.241.31 24 20.76-21.52 1



Glass-tec ACCESSORIES

- Improve installation times
- Improve finish and appearance
- Ideal handover cleaning kits



► OnLevel combitool

Model: 0100	AISI 304
Code	
90.0100.100.00	1



► Flex-Fit tool

Model: 0110	AISI 304
Code	
90.0101.100.00	1

ACCESSORIES



► Glue

Model: 9010	
Code	
10.9010.000.A	50 ml 1



► Stain remover

Model: 9030	
Code	
10.9030.000.A	500 ml 1



► Stainless steel cleaner

Model: 9020	
Code	
10.9020.000.A	500 ml 1



► Glass cleaner

Model: 9025	
Code	
10.9025.000.A	500 ml 1



► Stainless steel & glass cleaner kit

Model: 9027	
Code	
10.9027.000.A	500 ml 1



► 'C' Spanner

Model: 9200	
Code	
10.9200.025.T	25-28 1
10.9200.030.T	30-32 1
10.9200.045.T	45-50 1
10.9200.058.T	58-62 1
10.9200.080.T	75-80 1



► Allen key set

Model: 9300	Zinc-plated
Code	
10.9300.000.T	1



BY INSTALLERS, FOR INSTALLERS

The OnLevel specialists have years of experience assembling glass balustrades. We know what requirements an installation must meet and what the easiest assembly method is. Thanks to our daily practical experience, we know exactly which problems you can come across. This practical knowledge forms the basis for the continuous innovation of our products.

Flex-Fit



Making Life Easier

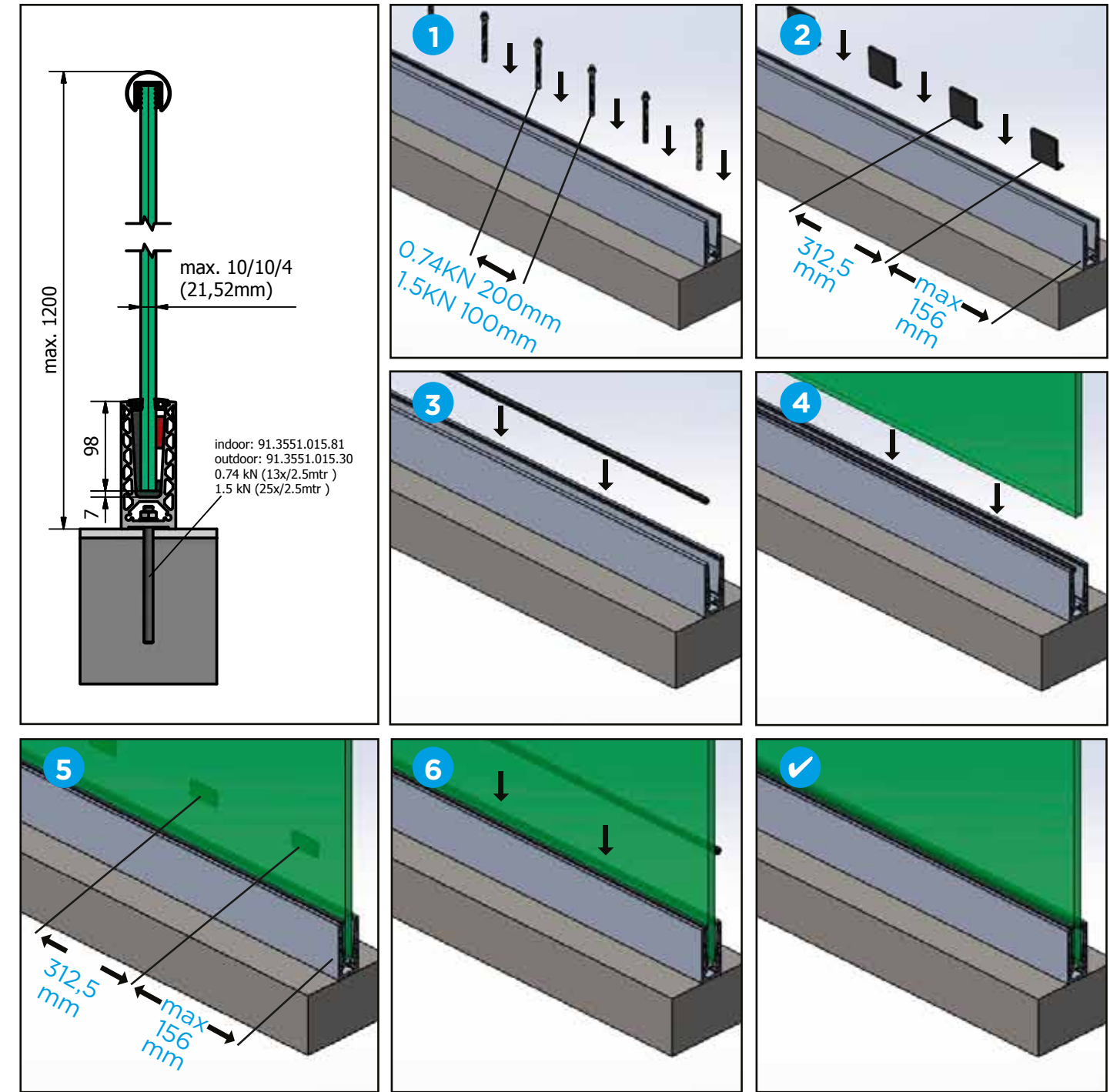
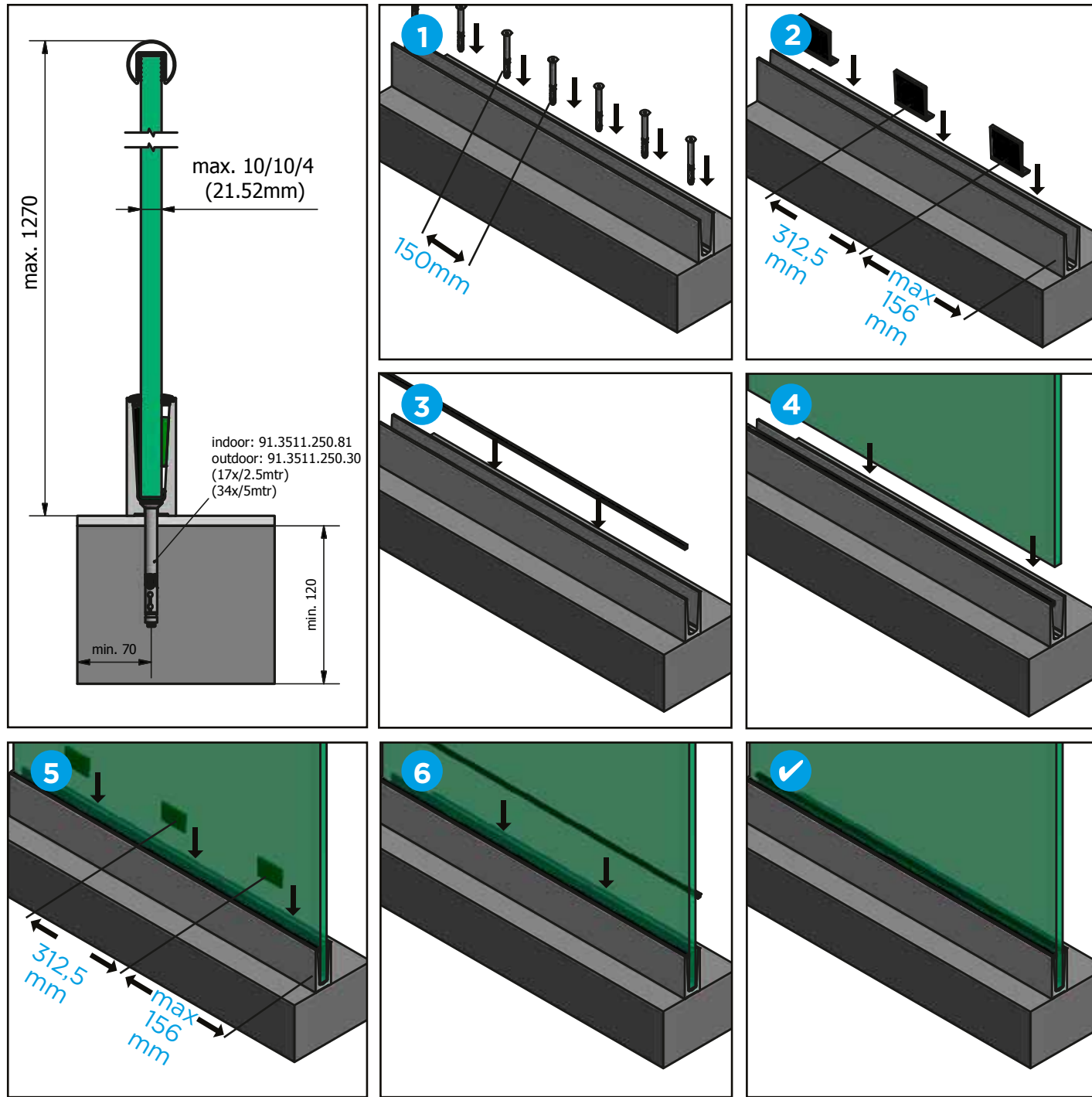
OnLevel Flex-Fit is the solution for perfect, fast and safe alignment of glass balustrades. With just a simple sliding movement you position the glass with a precision of up to 40 mm and reduce the assembly time by some 30%. Optionally, Flex-Fit can be used with all existing Trans Level profiles.

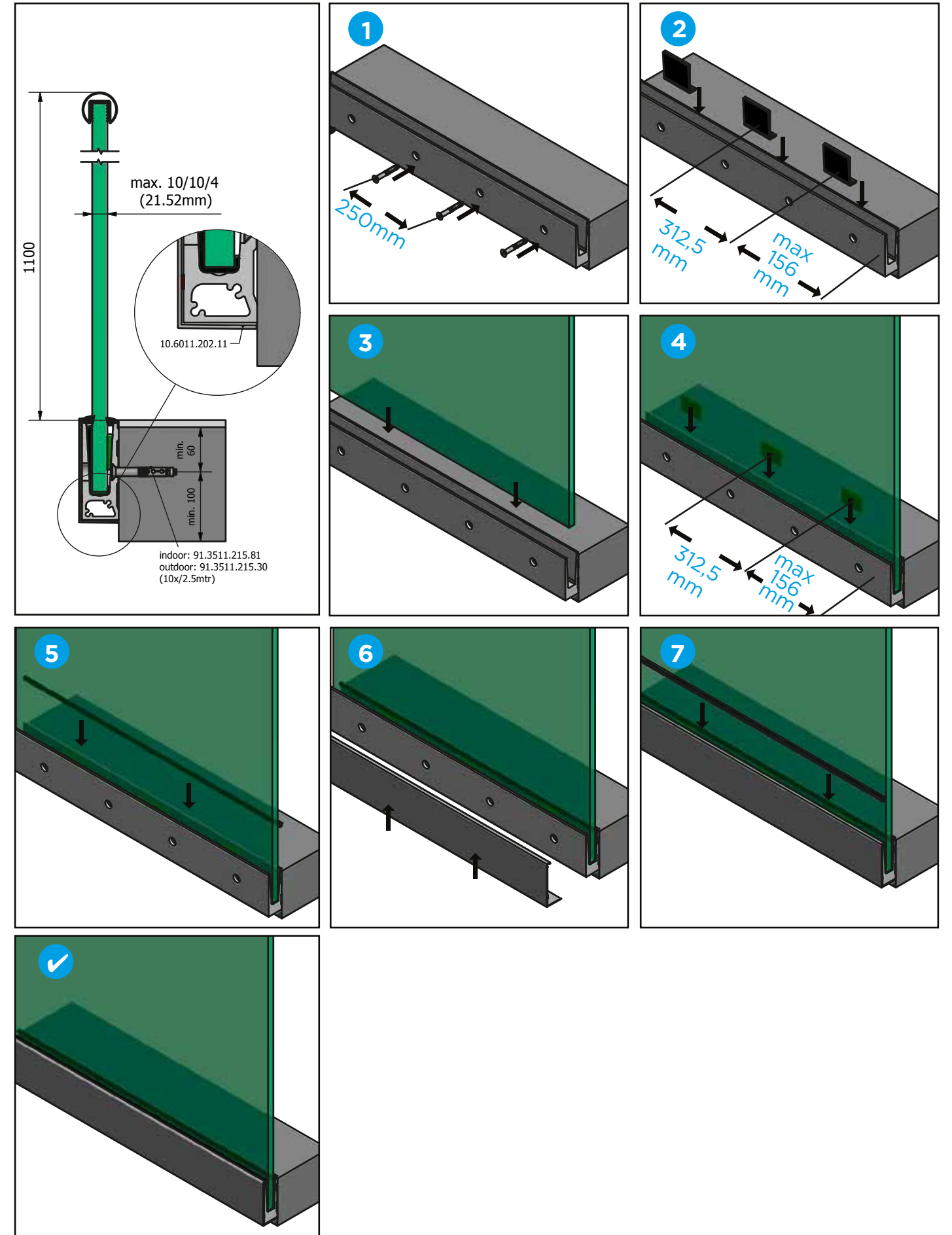
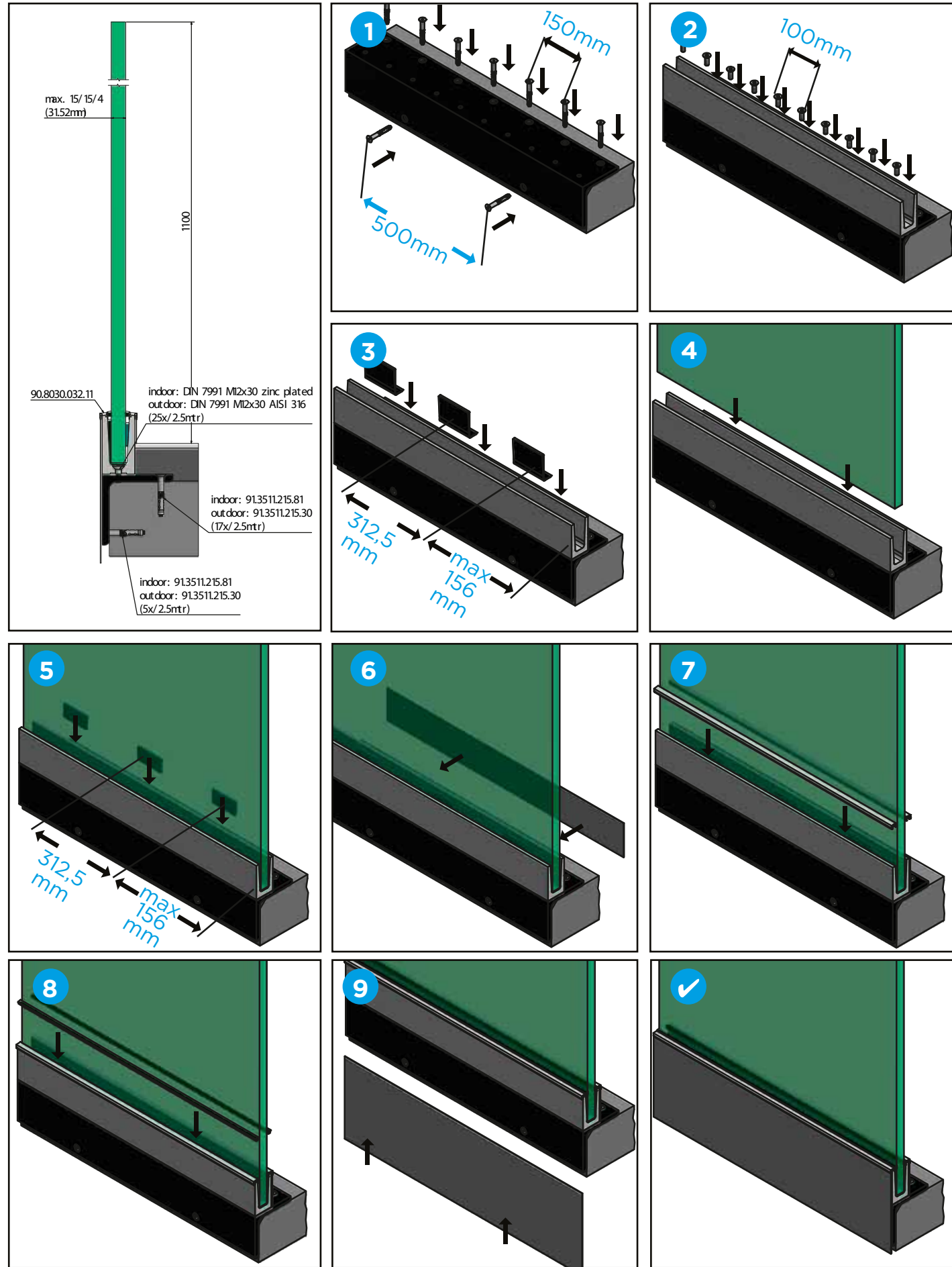
Adjust the way you work

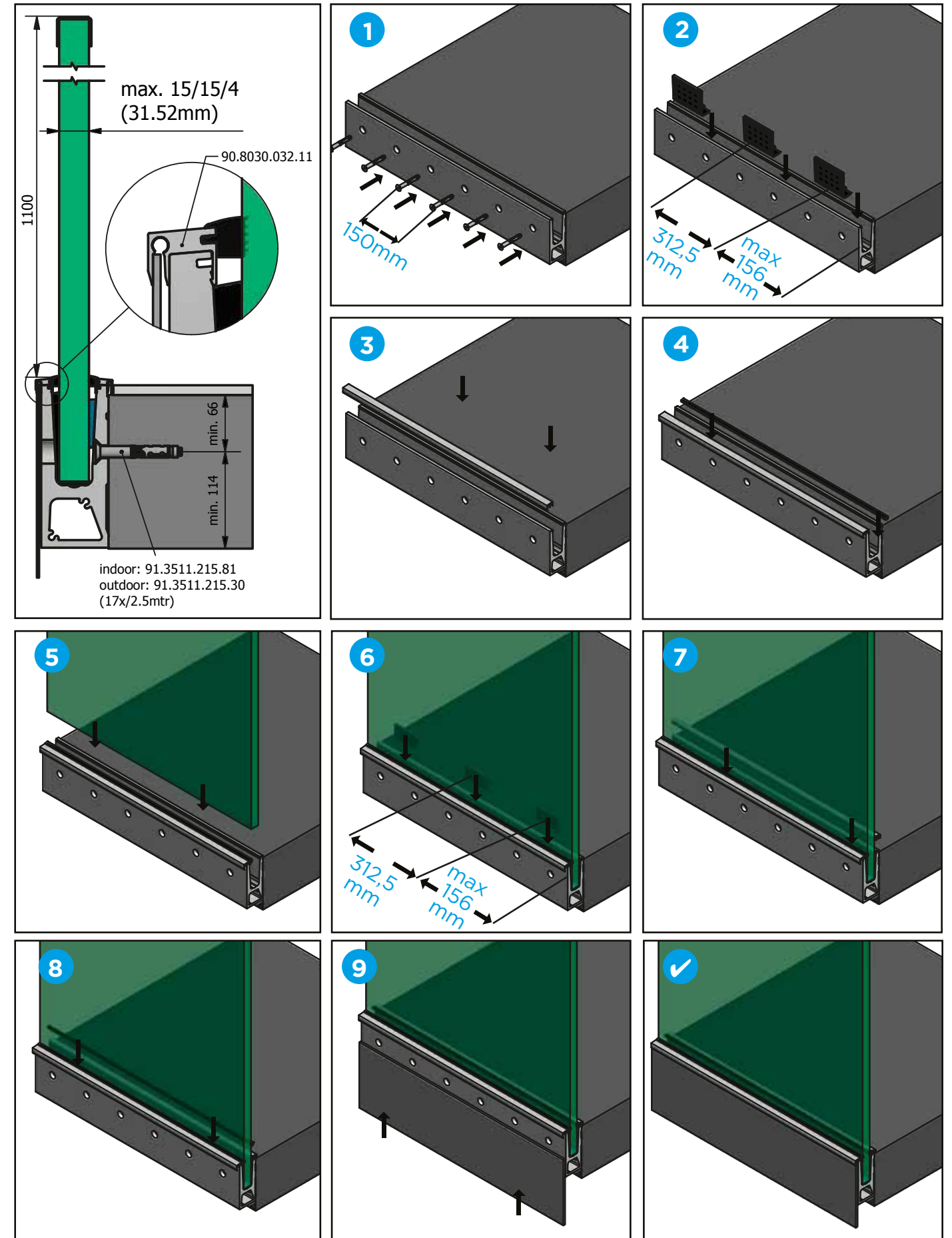
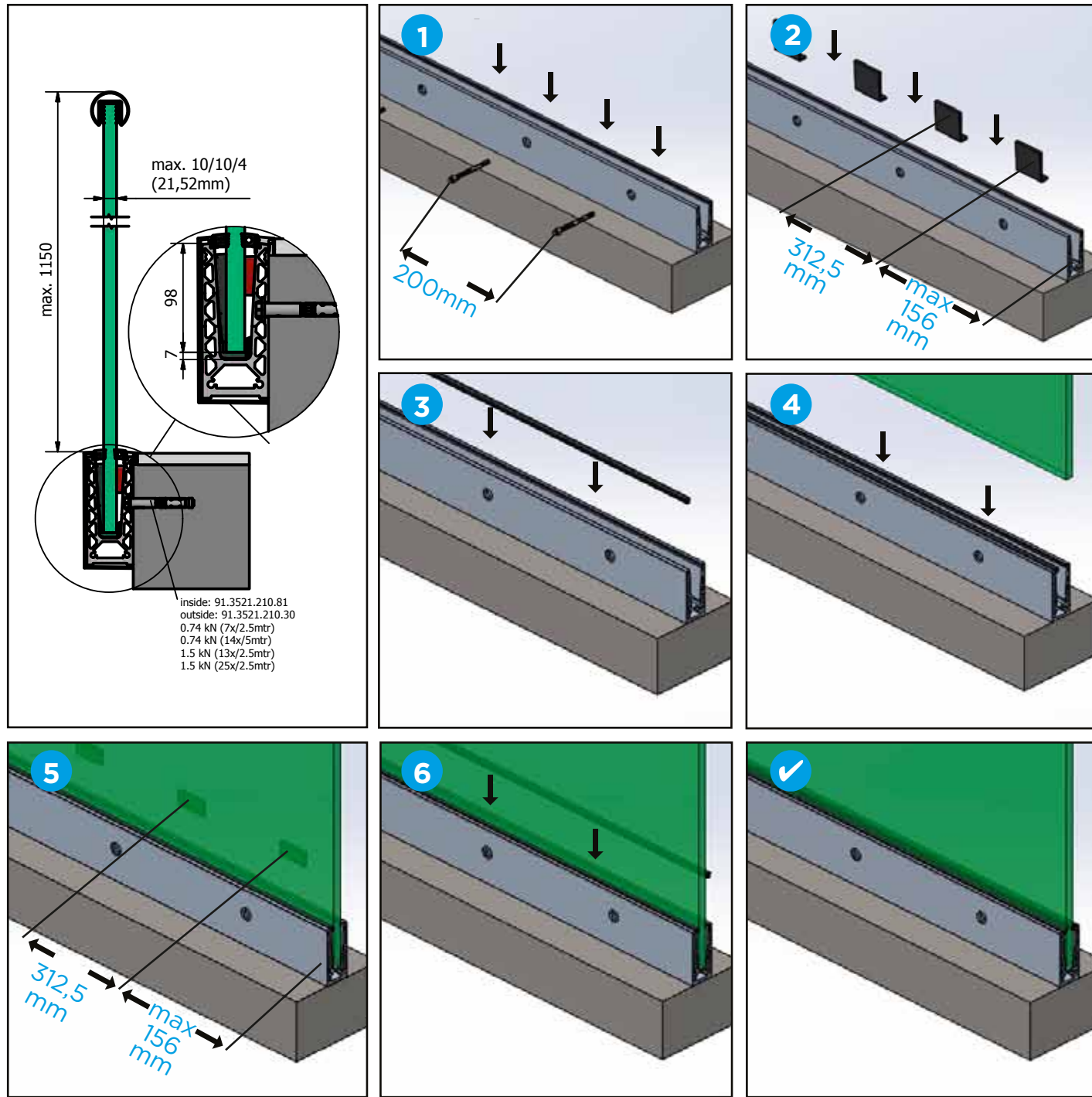
Installation Instructions

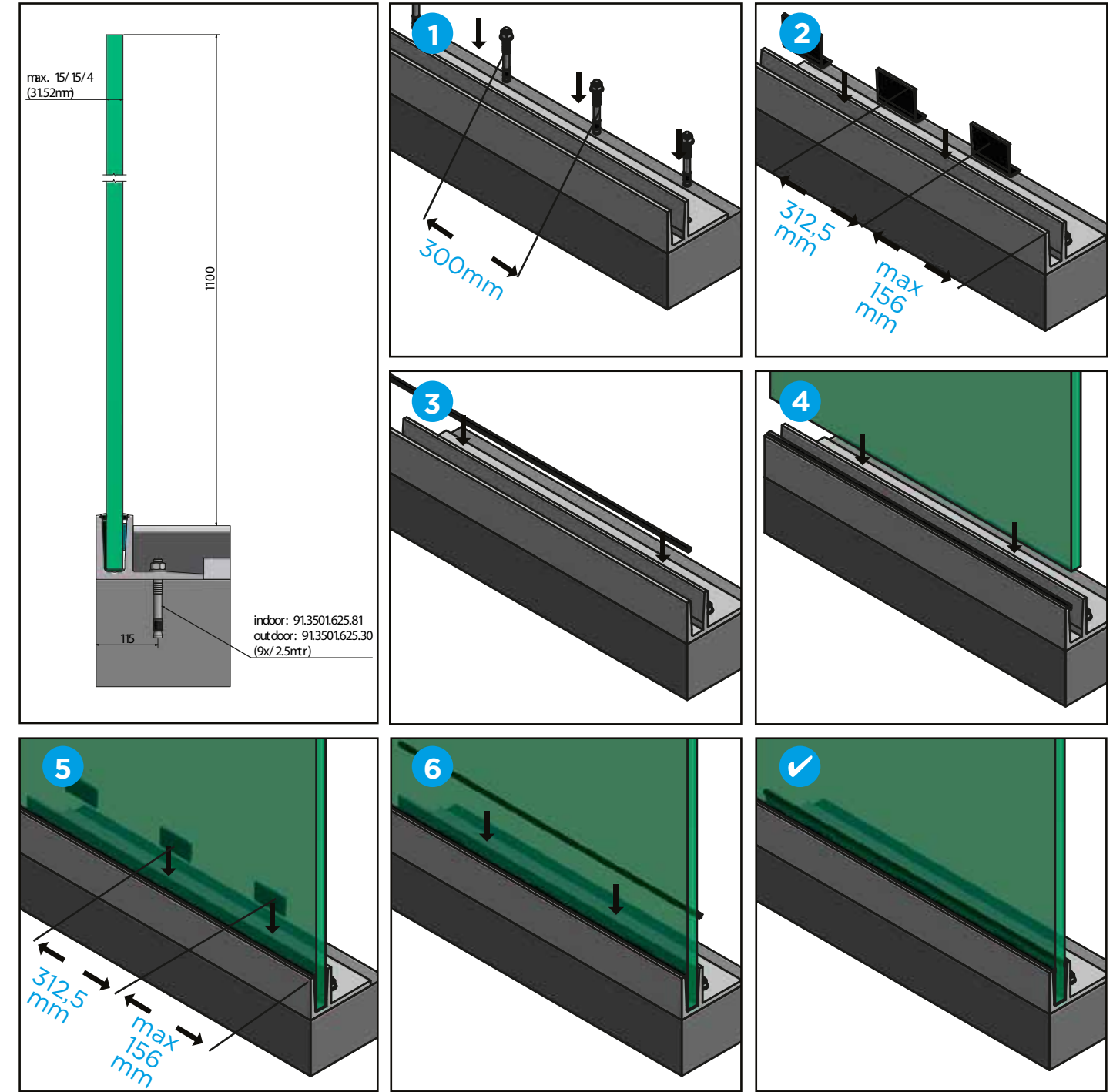
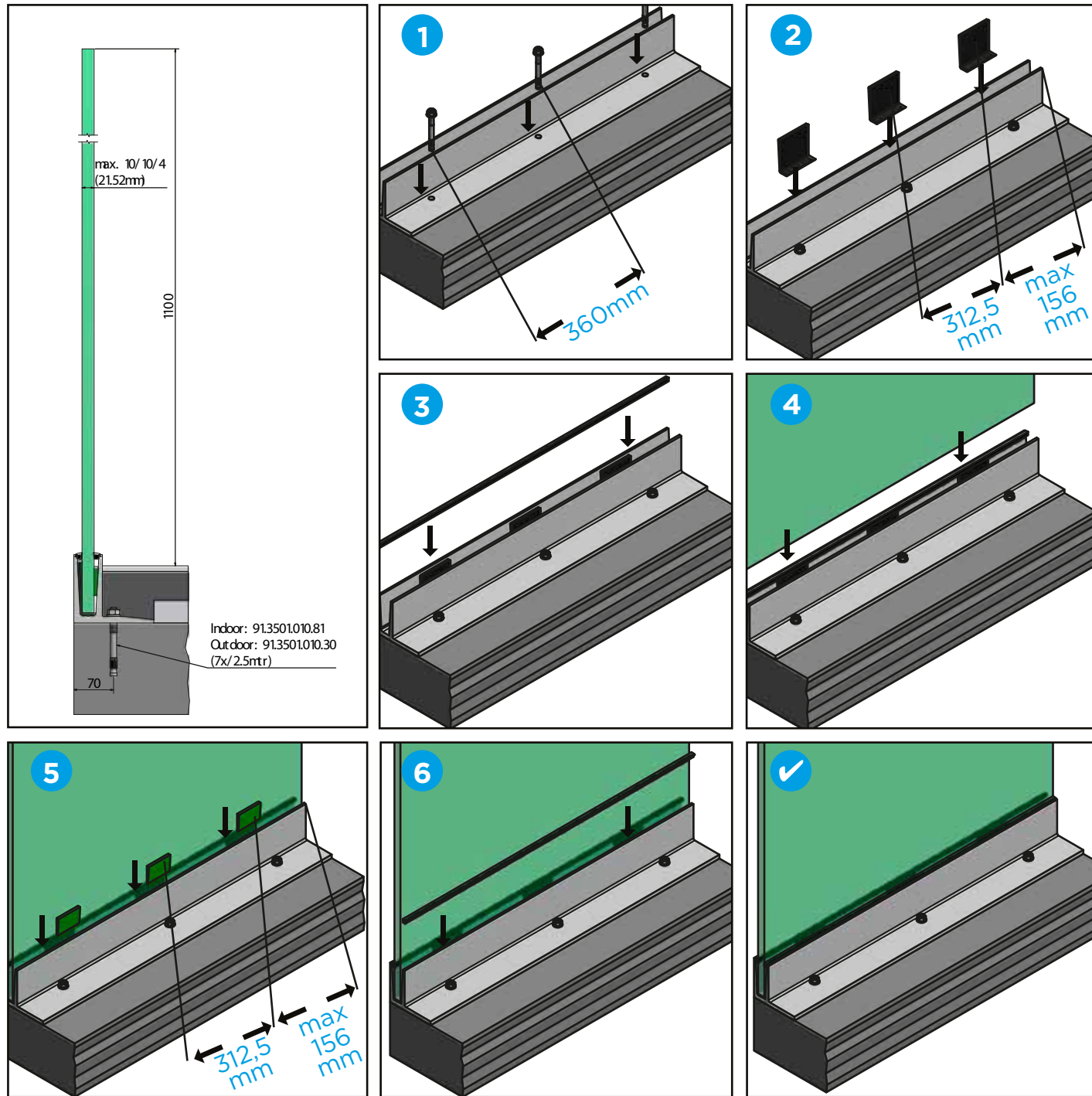
TL-6010	—	page 94
TL-6020	—	page 95
TL-6030	—	page 96
TL-6011	—	page 97
TL-6021	—	page 98
TL-6031	—	page 99
TL-3010	—	page 100
TL-3030	—	page 101
TL-3011	—	page 102
TL-3031	—	page 103
TL-4010	—	page 104
TL-5010	—	page 105
POSI-GLAZE	—	page 106
MEGAGRIP	—	page 107

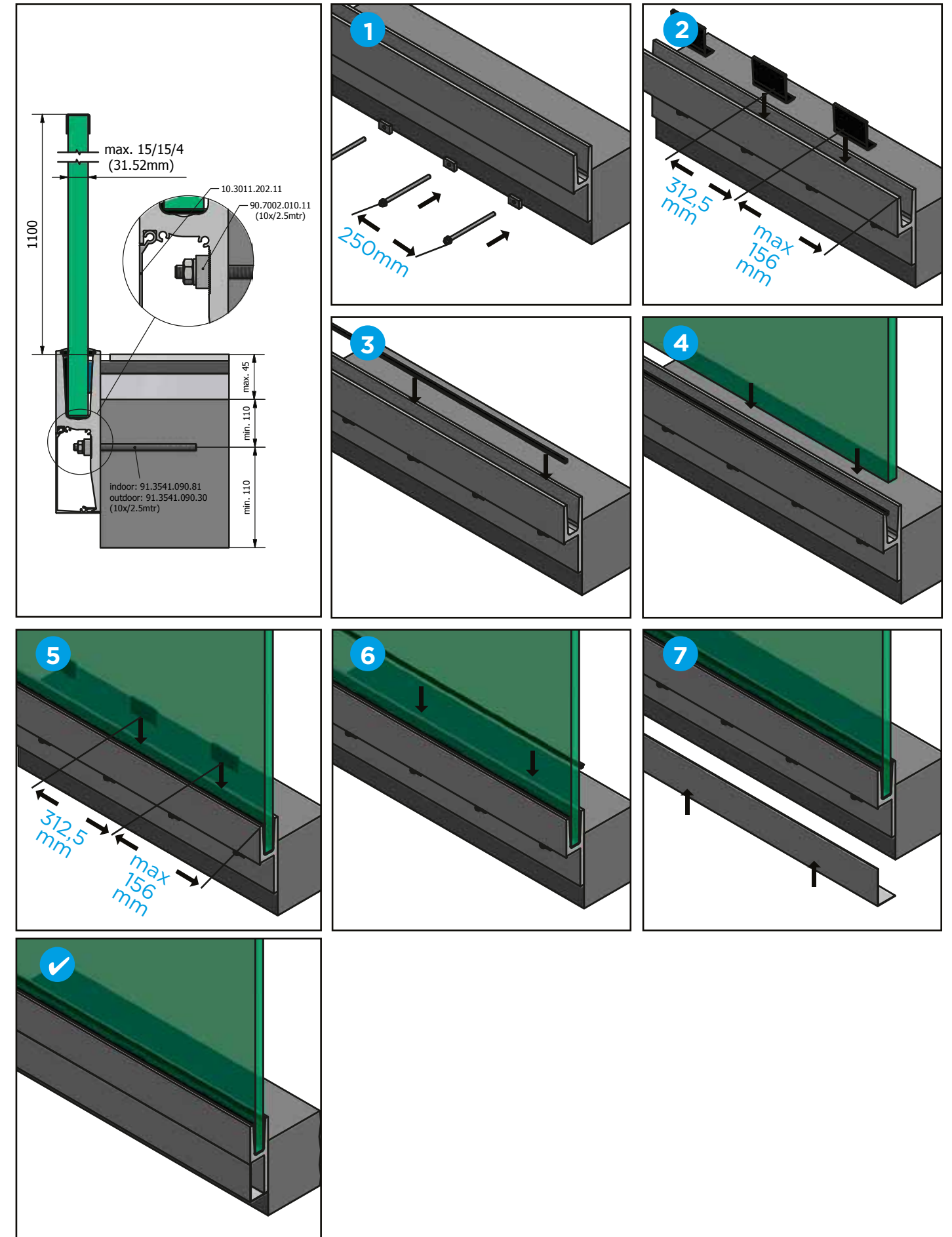
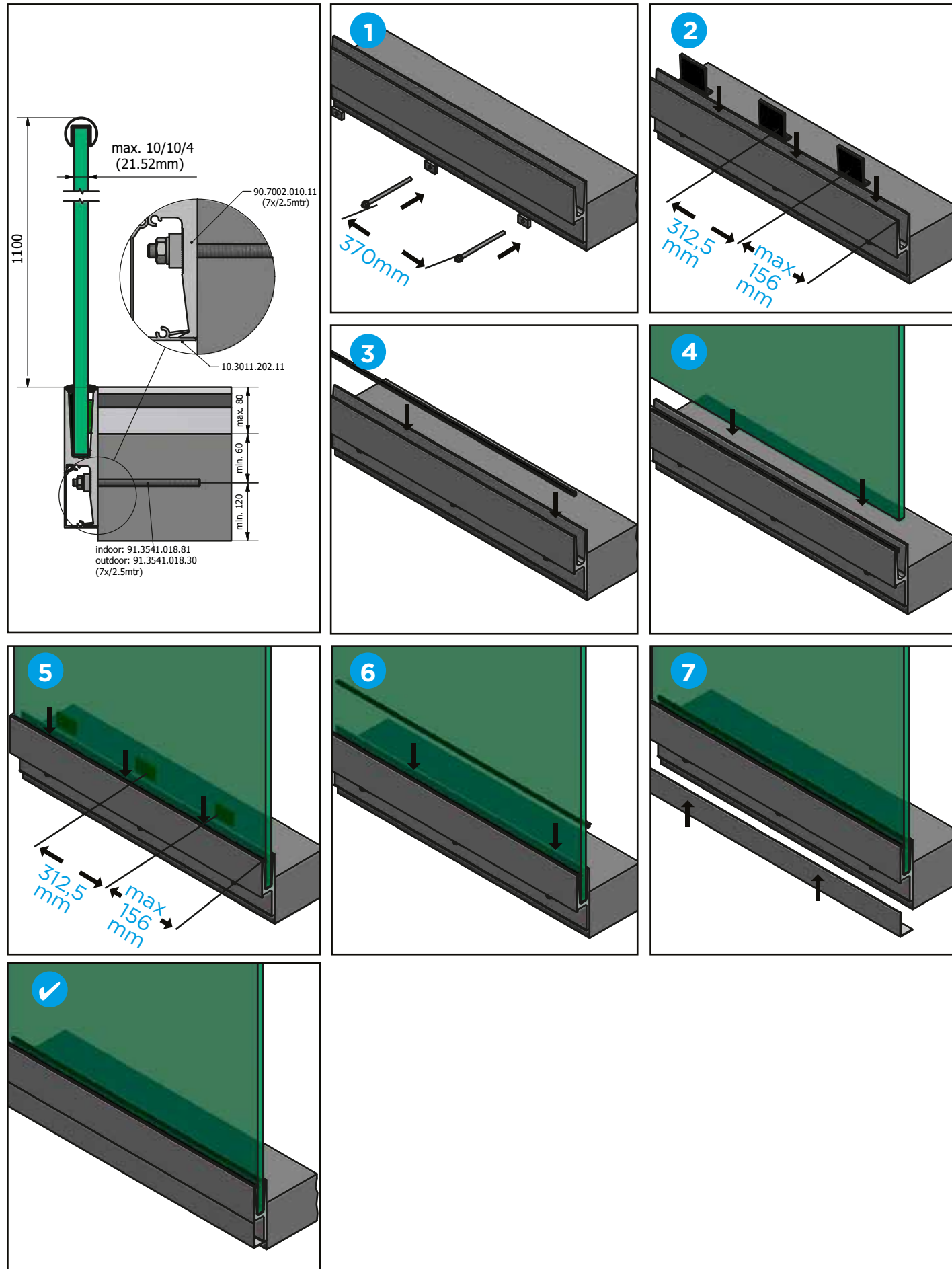


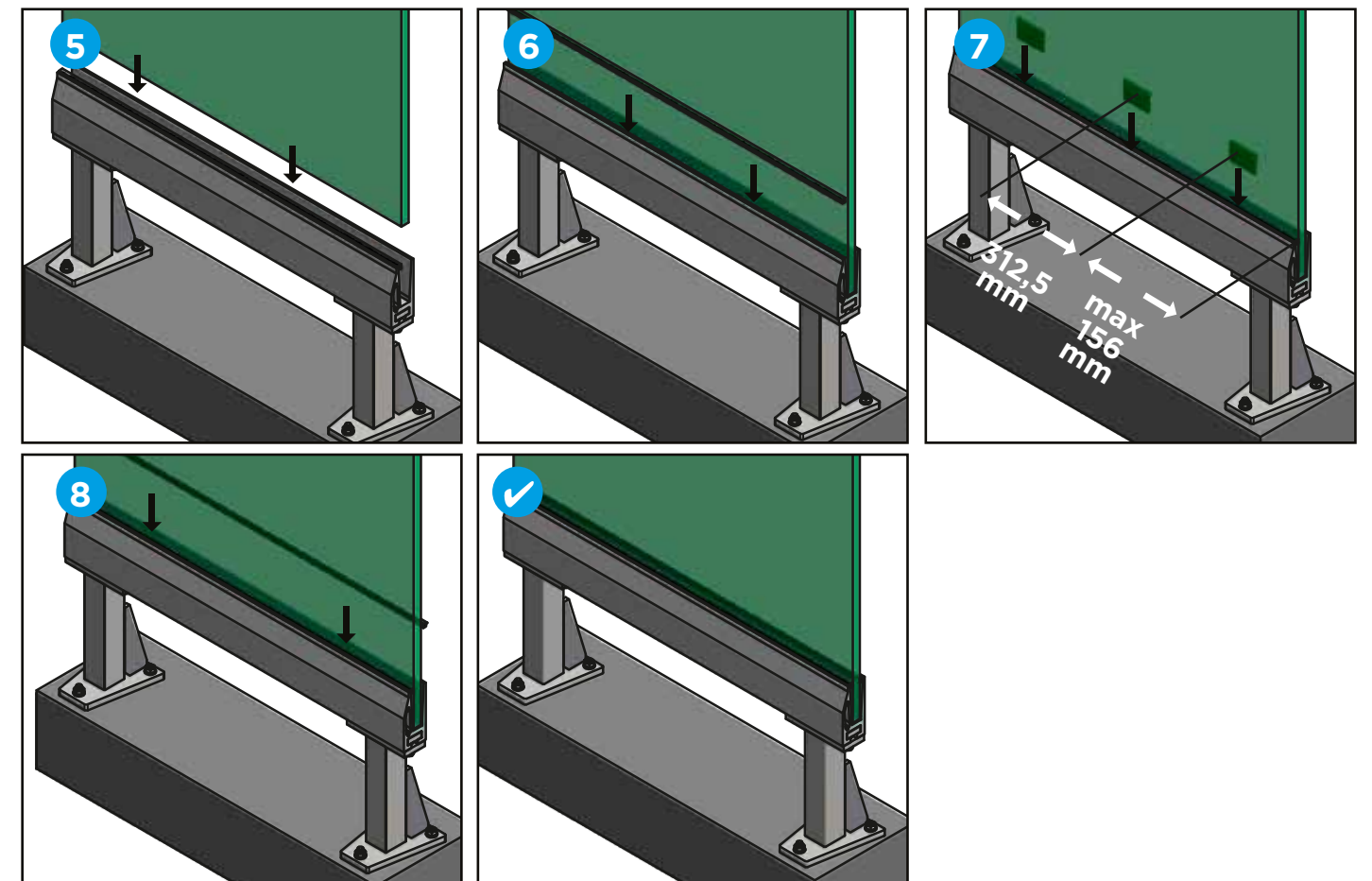
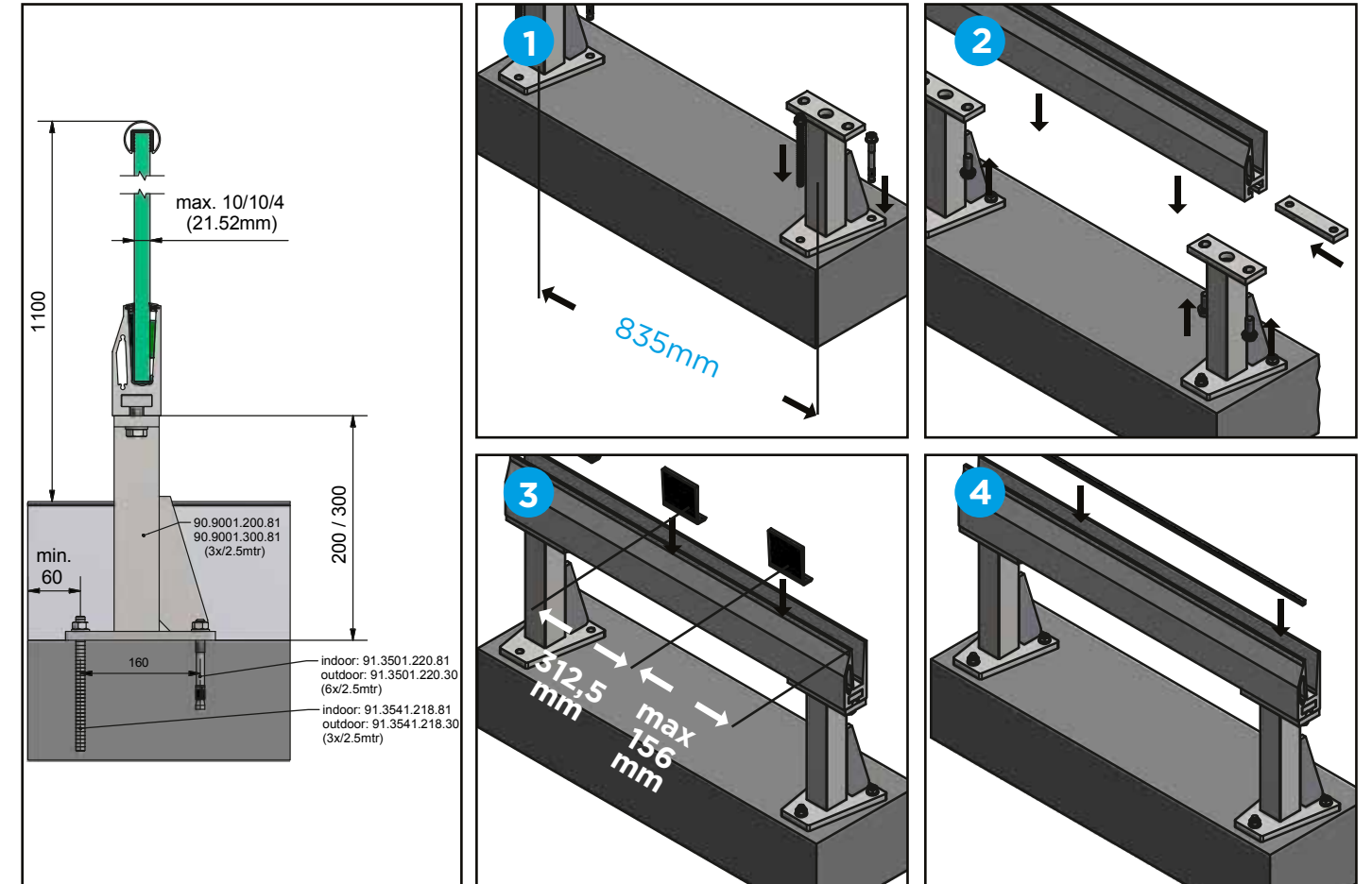
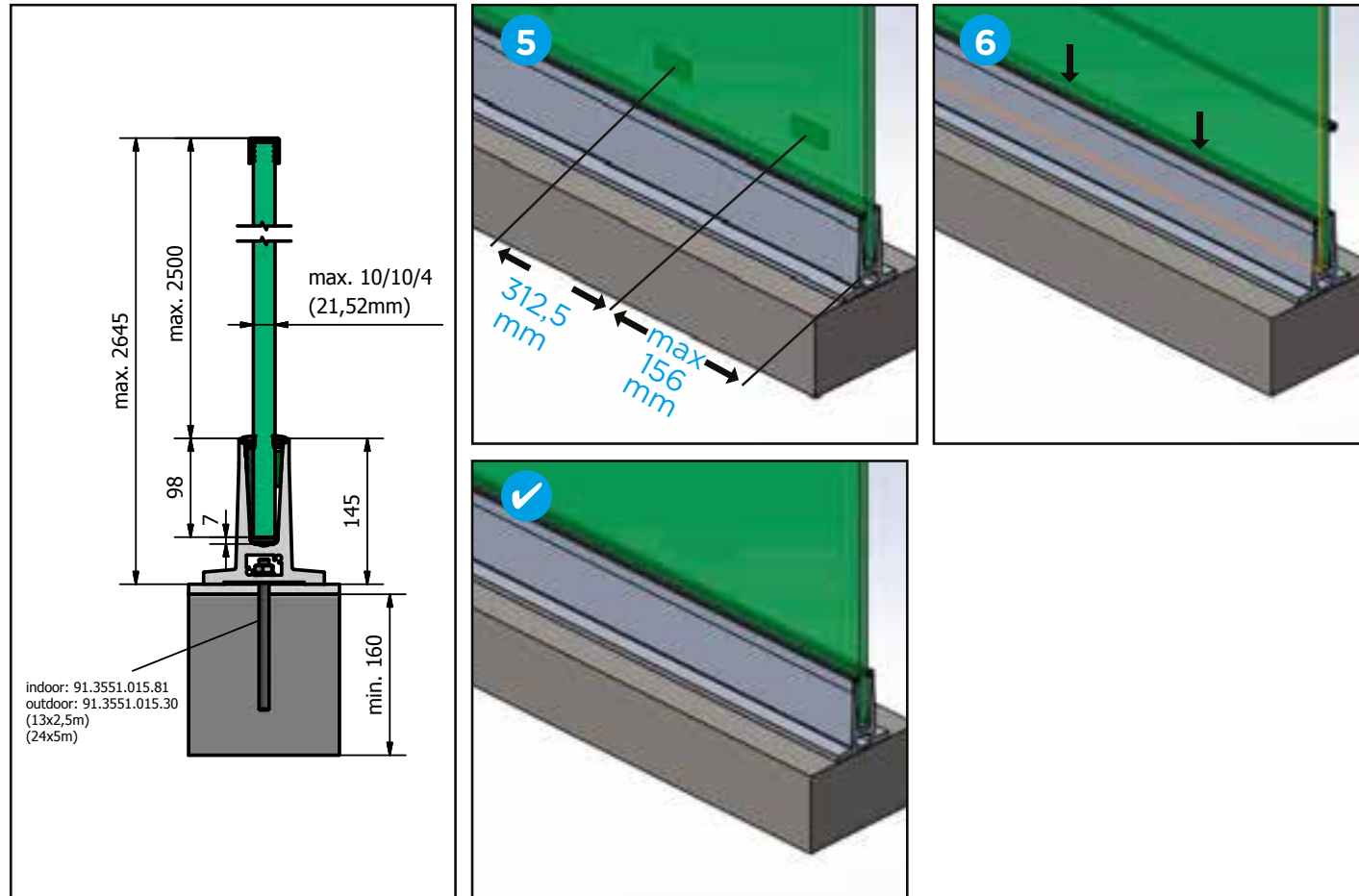
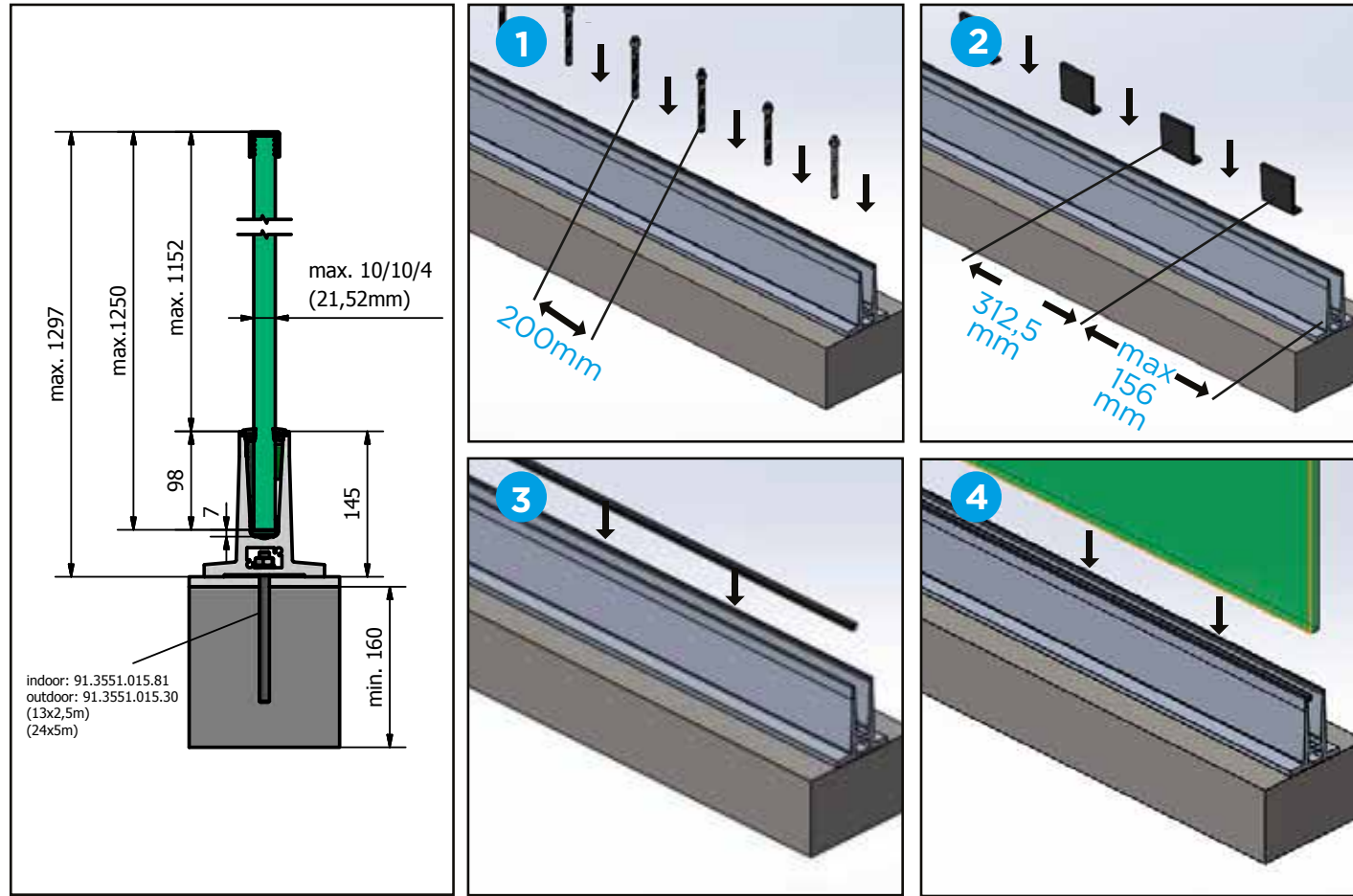






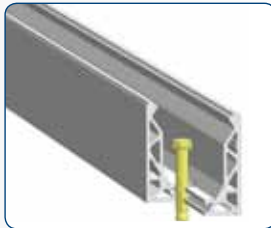






1 Base Rail

The aluminium base rail should be placed onto its designated position and the holes marked onto the substrate for drilling. The channel should then be levelled and lined up with the use of shims. Once the shoe is plumb and level, the fixings should be tightened up to make the channel rigid. The fixings must be tightened in accordance with the manufacturers instructions.



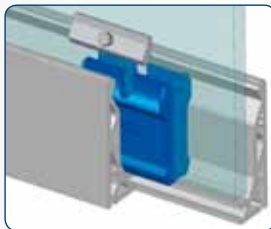
2 Glass Slip Clamp Fitting

The glass slip clamps need to be placed on the bottom of the glass. This requires lifting the glass off the floor sufficiently or turning the glass upside down to squeeze these on. The slip clamps require spacing so that four are used per metre. The clamps placed on either end of the glass should be located 125mm in from the edge of the glass and then 250mm to the next clamp. The glass can now be placed into the channel.



3 Glass Clamp Bar Fitting

Once the glass is fitted in place, you now need to place the clamp bars into the top of each glass slip clamp. First you must screw the bolt into the clamp bar until the head of the bolt just reaches the bar. The shaped side of the bar will sit nearest to the glass. You can now sit each clamp bar into the glass slip clamps.



4 Getting Glass Plumb and Tightening Bolts

You now need to place a spirit level on the glass to get the glass in the correct position. The bolts now need tightening into the channel equally to keep the same pressures on the glass. To adjust the glass into position you must unscrew the bolts back onto the channel.

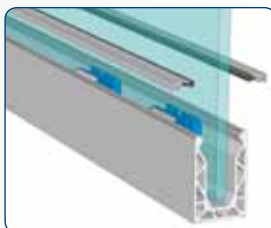
To achieve the correct positioning firstly square up and level each end of the glass and tighten. Then tighten the intermediate clamp bars.

Once the bolts have pinched, they now need a half turn to securely hold the glass in place. For extra protection we would suggest the use of an adhesive on the thread of the bolts.



5 Top Seal Strip

The gasket requires feeding into the smaller profile supplied, you must not stretch the gasket. Once the gasket is flush with each end of the strip it now needs to be clipped onto the top of the channel, this can be done by pressing firmly down on the profile. Working from one end to the other is recommended.

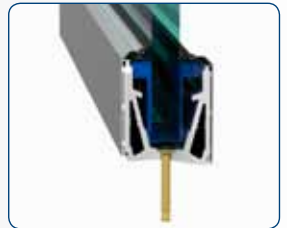


6 Cleaning

Once you are happy everything is in place and the job is complete you need to clean the glass and channel. We recommend the use of any standard glass cleaner so long as it is not abrasive. We also recommend a soft sponge or cloth, again to avoid any risk of scratching.

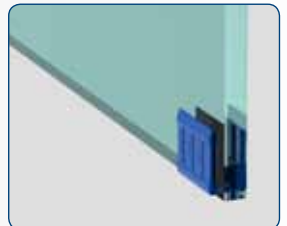
1 Base Rail

The aluminium base rail should be placed onto its designated position and the holes marked onto the substrate for drilling. Once the shoe is level, the fixings should be tightened up to make the channel rigid. The fixings must be tightened in accordance with the manufacturers instructions.



2 Glass Slip Clamp Fitting

The glass slip clamps need to be placed on the bottom of the glass. This requires lifting the glass off the floor sufficiently or applying to the top of the glass and rotating into the channel. The slip clamps require spacing so that four are used per metre. The clamps placed on either end of the glass should be located 125mm from the edge of the glass and then 250mm centres. The glass can now be placed into the channel.



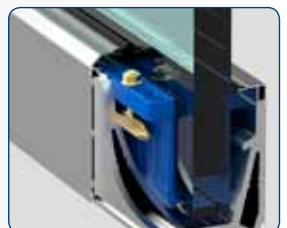
3 Preparing the Mega-Hook

The Clamp bar needs to be slid over the screw threaded end and the bolt loosely tightened so the bar can easily spin into the correct position.



4 Glass Clamp Bar Fitting

You now need to place the Grapple hooks into the top of each glass slip clamp. Lower the hook next to the plastic clamp, and hook into the metal lip. The angled side of the plastic clamp bar must face the angled glass clamp. As shown in the image to the right.



5 Getting the glass level

You now need to get the glass level. Manoeuvre the glass whilst the bolts are loose until it is in the correct position.

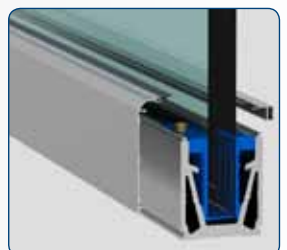
Now the bolts can be tightened, firstly finger tighten each side before using a ratchet/torque bar. The bolts must be tightened to 15Nm.



6 Top Seal Strip/Cladding

The gasket requires feeding into the Side cladding and/or top bead supplied, you must not stretch the gasket. Once the gasket is flush with each end of the strip it now needs to be clipped onto the top of the channel, this can be done by pressing firmly down on the profile. Working from one end to the other.

The Side cladding has a lower clip which must line in the channel it must then be firmly pushed at the top towards the glass. Addition securing tape can be applied.



7 Cleaning

Once you are happy everything is in place and the job is complete, you need to clean the glass and channel. Use a non abrasive glass cleaner on the glass and warm soapy water on the MegaGrip channel. We also recommend a soft sponge or cloth, again to avoid damaging the channel or glass.



Glass-tec Care and Maintenance

To gain the maximum benefits from the Glass-tec range, the correct care and maintenance procedures should be followed during and after installation.

To achieve maximum corrosion resistance and appearance, the surface of the aluminium/stainless steel must be kept clean; this is extremely important when used in an external environment.

Installations in an external environment will require a cleaning schedule to be followed, this is a periodic cleaning of approximately every 3-6/6-12 months thereafter.

For installations in **aggressive environments**, for example coastal regions and swimming pools, you will need to take particular care with cleaning and maintenance to inhibit corrosion. The cleaning schedules relating to these types of areas are much more frequent than standard external installations.



cleaning methods

During Installation - Base Channel

- Grease marks, dirt or mastic spillage may be removed using white spirit or an approved solvent which will not adversely affect the anodised finish. DO NOT use aggressive abrasive materials such as wire wool.
- It is recommended that all cut bar ends, mitres, butt joints & drill holes should be coated with an air drying primer/corrosion inhibitor, to provide protection against the initiation of corrosion where the aluminium is exposed especially in coastal locations.
- Installers should take maximum care during assembly, transit & fitting not to damage the anodised coating.

After installation – Base Channel

- Wash down with clean warm water containing a non alkaline liquid detergent (in a concentration which can be handled safely with bare hands) using a non abrasive cloth, sponge or soft bristle brush. Rinse thoroughly with clean water.
- Dry using a soft cloth or leather.
- After drying, apply furniture cream or wax, to maintain the highest quality surface finish. The frequency of cleaning anodised surfaces in the external environment will vary depending on atmospheric conditions.
- Anodised surfaces which have been neglected for considerable periods of time will often require a more aggressive cleaning procedure. Unfortunately abrasive cleaning does cause some removal of the surface finish.

During Installation – Stainless Steel

- Grease marks, dirt or mastic spillage may be removed using white spirit or an approved solvent which will not adversely affect the polished finish. DO NOT use aggressive abrasive materials such as wire wool.
- Installers should take maximum care during assembly, transit & fitting, not to damage the polished finish.

After Installation – Stainless Steel

- It is necessary to clean your installation immediately after fitting is complete using Fastec Stain Remover. Following this, periodical cleaning with Fastec Stainless Steel Cleaner will help form a protective barrier against the atmosphere.

Hints and tips

Always clean your installation once it has been completed. This removes any contaminants on the surface of the material to prevent future problems and leaves a finished look behind for your customer.

Always use a lint-free cloth, never use an abrasive cleaner or cloth.

It is important to remember that masonry and brick cleaners contain acid, so protect any surfaces during their use. Any splashes should be washed off straight away with water.

► **Further information on cleaning schedules and maintenance can be found on our website.**





information



Delivery

Fastec dispatch all orders via carrier on a next day service.

Orders must be received before 2.45pm to be dispatched same day.

Upgraded timed delivery services are available (ie. before noon, before 10.30am, Saturday am) at an additional cost.

Off-shore and some Scottish Highlands locations are only available on a 2-3 day service.



Price /Payment

All prices quoted are net. VAT will be added.

Delivery charges are in addition to the fitting prices and will be stated at time of quoting/ordering.

Accounts not settled within the agreed time period will be placed on stop and no further goods will be dispatched until the overdue monies are settled.



Returns

Goods will only be accepted if they are received in a re-saleable condition and in their original packaging.

Notification of a return must be made in writing in the first instance and must be received within 1 month after receipt.

A handling fee will be charged. The amount will be confirmed after a notification has been received.

Collection of the items for return can be arranged by Fastec via our carrier but will incur an additional charge. Please state if you require a collection arranging at time of notification. A cost will then be confirmed.



Claims

Notice of any claim relating to shortages or damaged goods shall be made to the company in writing within 48 hours of receipt of goods. In the event of loss or non-delivery of the goods the customer shall notify the company in writing within 3 days of receiving the advice note.

All goods received damaged on delivery must be signed for as 'Damaged'. Claims for goods received as damaged but signed for as 'Received in good condition' will not be accepted.

Quantities must be checked on delivery before signing as accepted.

Terms & Conditions

We reserve the right to change any products within this brochure relating to the design and measurements without prior warning.

Products may be updated or revised and actual products may be slightly different to the items illustrated.

Different shapes and product types may have slightly different polishing matches due to the techniques and processes used.

We cannot be held responsible for printing errors.

The company shall not be responsible for any expenditure losses. Any compensation is limited to the value of the goods.

► **Our full terms & conditions are available on request.**

